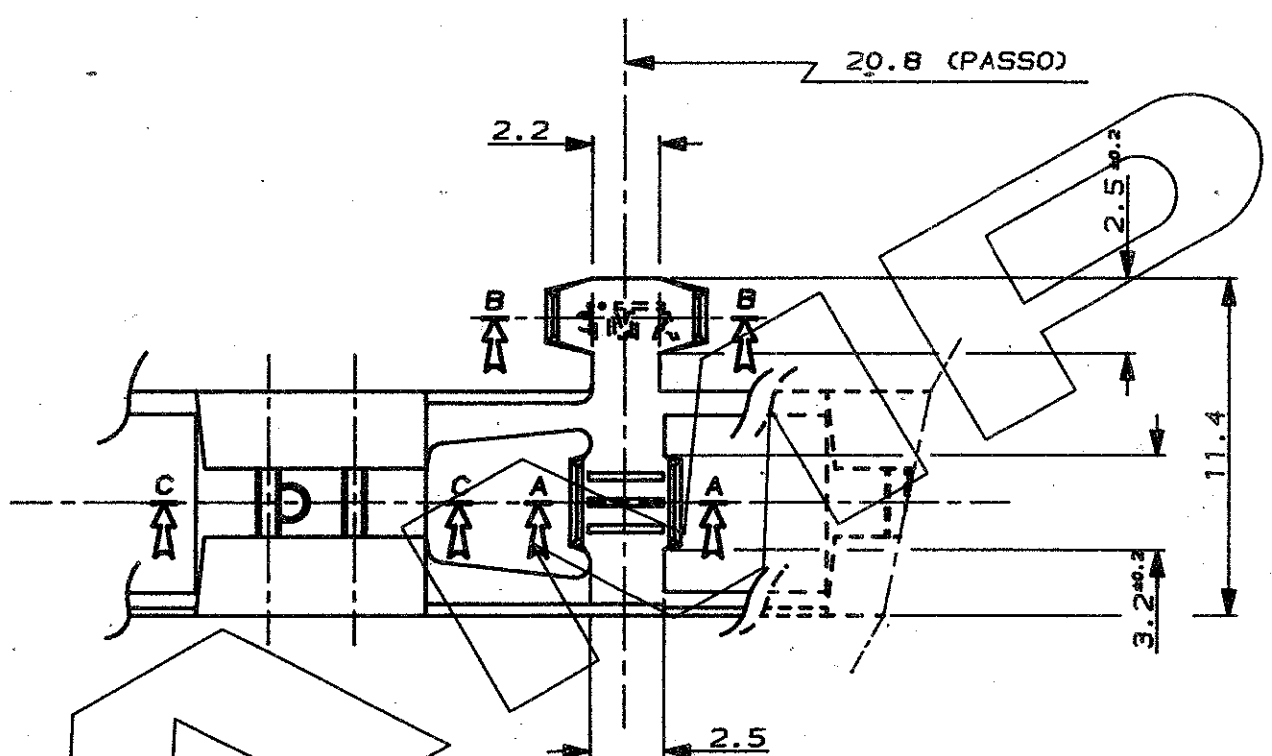
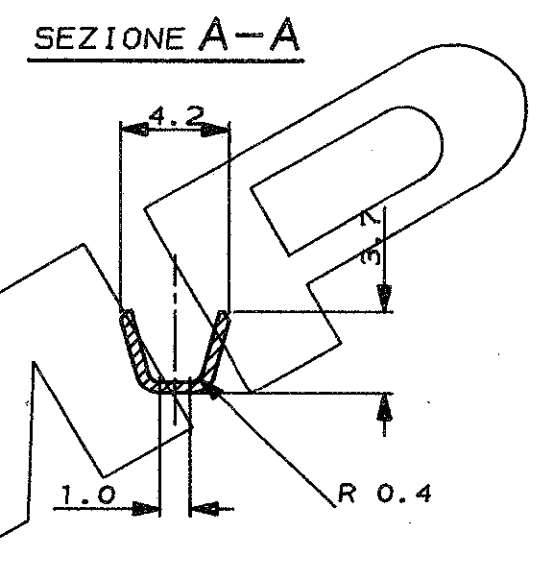
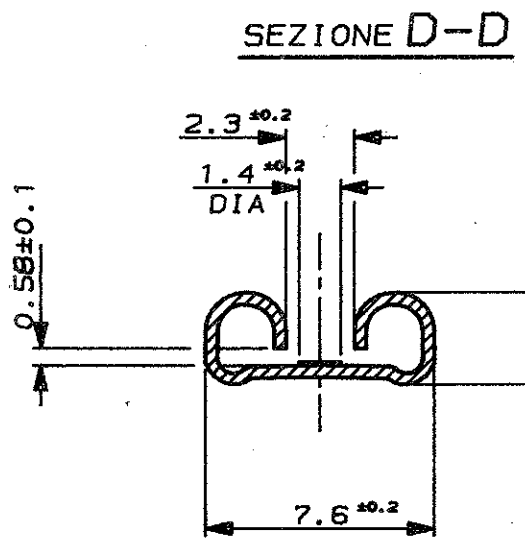
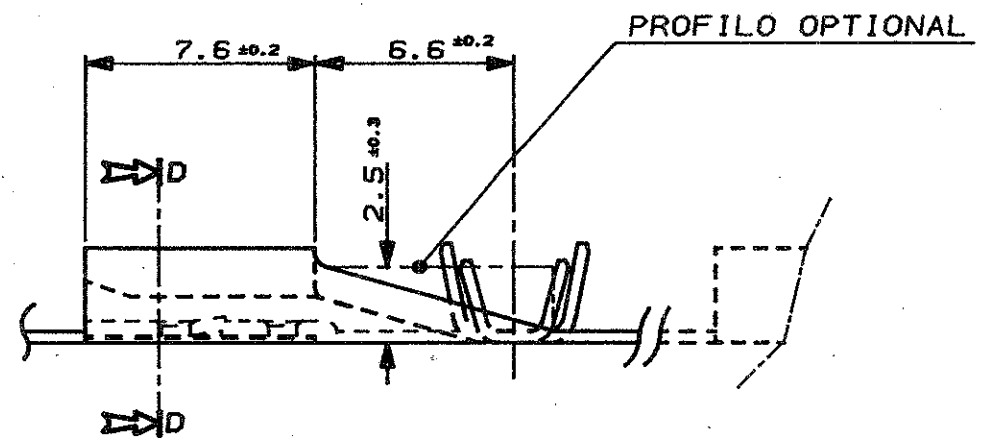
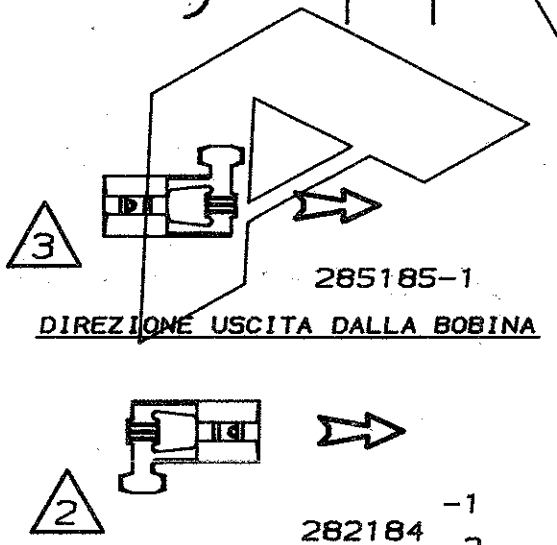
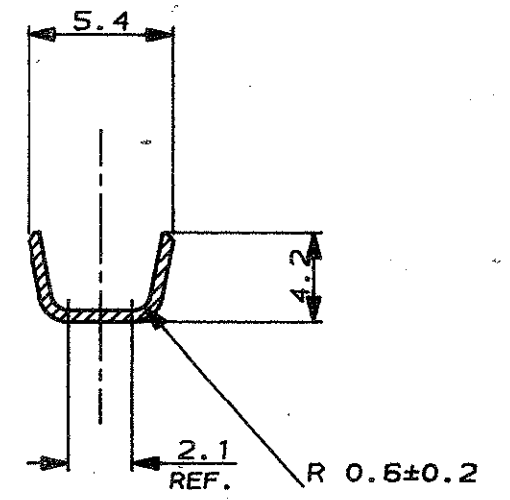


A
B
C
D
E



SEZIONE B-B



(WIRE) SEZ. FILO mm ²	(INS. DIA. STD) Ø ISOL. STD	(INS. DIA. REDUCED) Ø IS. RID. FASE 3
1.0	---	1.9-2.1
1.5	---	2.2-2.4
2.5	---	2.7-3.0

4	3	STAGNATO	OTTONE	282185-1
4	2		BR. FOSFOROSO	282184-2
2	2	STAGNATO	OTTONE	282184-1
		FINITURA / COLORE (FINISH / COLOUR)	MATERIALE (MATERIAL)	NUMERO (PART NUMBER)

CUSTOMER DWG. FOR REFERENCE ONLY DISEGNO PER CLIENTE SOLO PER RIFERIMENTO

THIS DRAWING IS UNPUBLISHED RELEASE FOR PUBLICATION 19
 © COPYRIGHT 19 BY AMP INCORPORATED, HARRISBURG, PA. ALL INTERNATIONAL RIGHT RESERVED. AMP PRODUCTS MAY BE COVERED BY U.S. AND FOREIGN PATENT AND/OR PATENT PENDING

TOLLERANZE, SE NON DIVERSAMENTE SPECIFICATO (TOLERANCES, UNLESS OTHERWISE SPECIFIED)	DIAM. ISOLANTE (INS. DIA. RANGED)	RANGO FILO (WIRE RANGED)	SCALA (SCALE)
± 0.3	1.9-3.0 DIA	1-2.5mm ²	4:1

ANGOLI (ANGLES) ± 2°
 DIS. 3 OCT. 90 (DR.) VERGANO P.
AMP AMP ITALIA S.p.A. Corso F.lli Cervi, 15 COLLENO (TORINO)

DESCRIZIONE (DESCRIPTION) .250 SRS.FLAG FASTON REC. CONTACT

LOC. (LOC.)	SIZE (SIZE)	NUMERO (CONS. NO.)	(MASTER DWG.)	REV.	FOLGIO (SHEET)
I	A3	C-282184		D	1 DI 1 (OF)

REV.	REVISIONI (REVISION RECORD)	DIS. (DR)	DATA (DATE)
D	OBSOLETE P/Ns FOR ET00-0301-99		
A	IN PRODUZIONE (ECN I-2819)		

4 OBSOLETE

单击下面可查看定价，库存，交付和生命周期等信息

[>>TE Connectivity\(泰科\)](#)