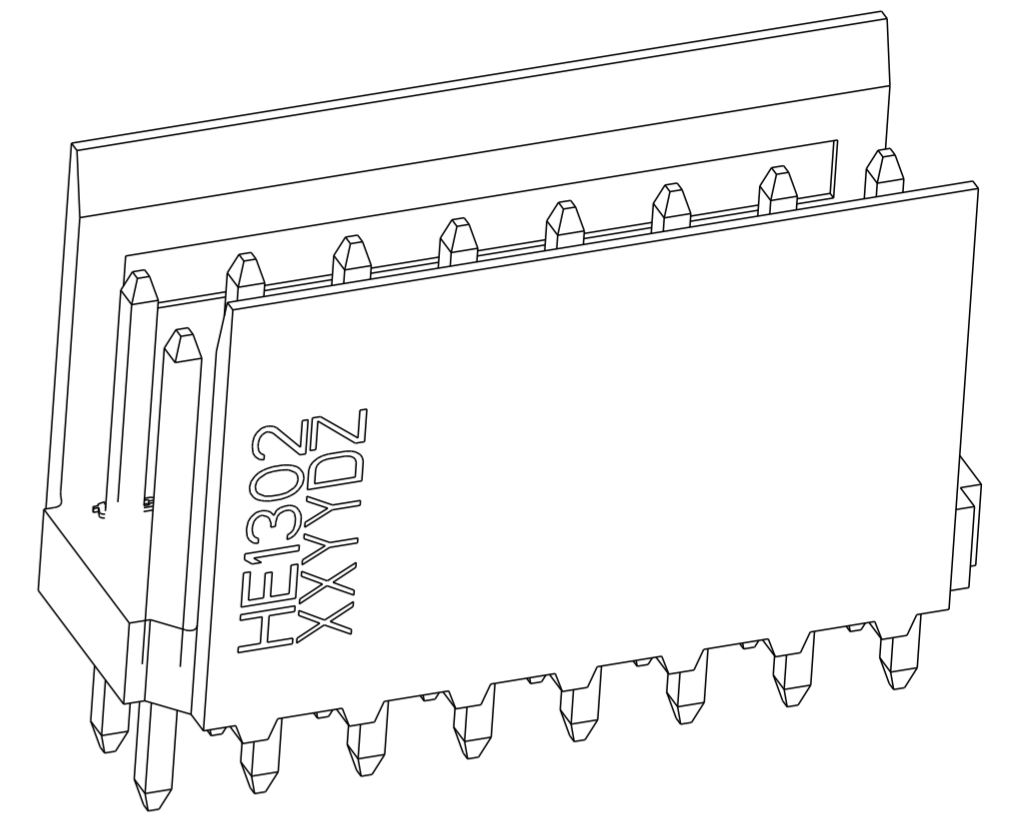
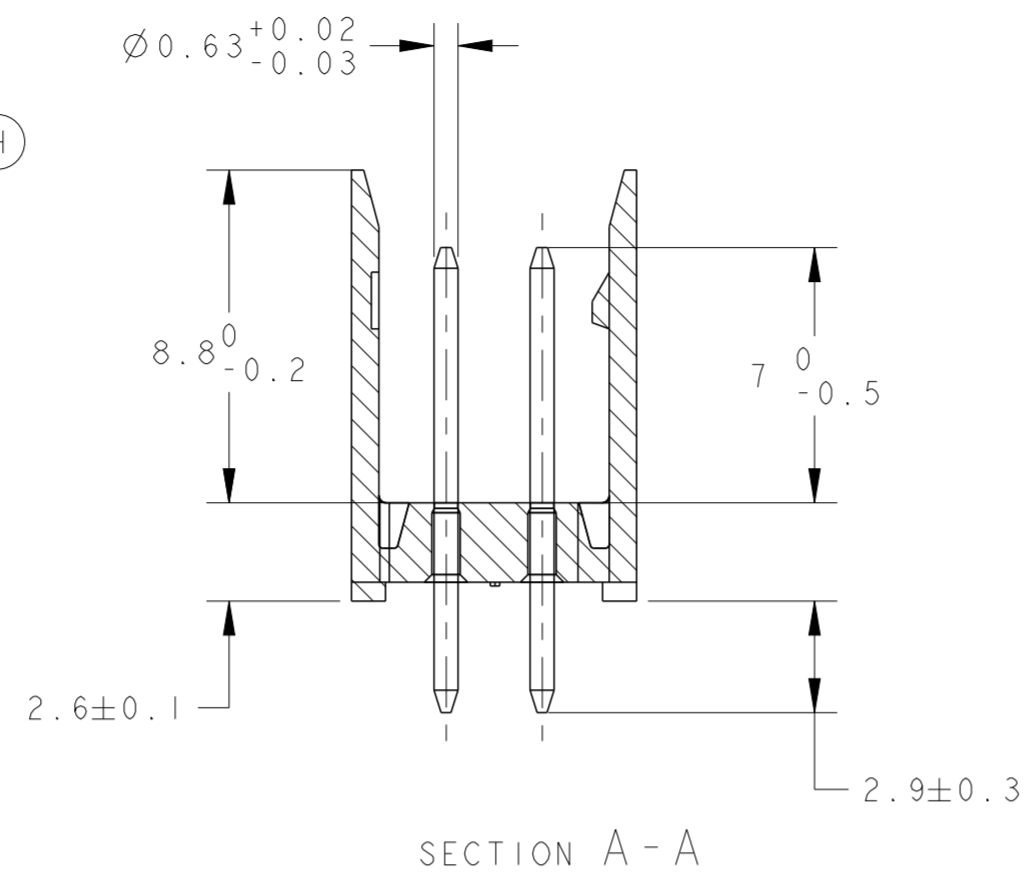
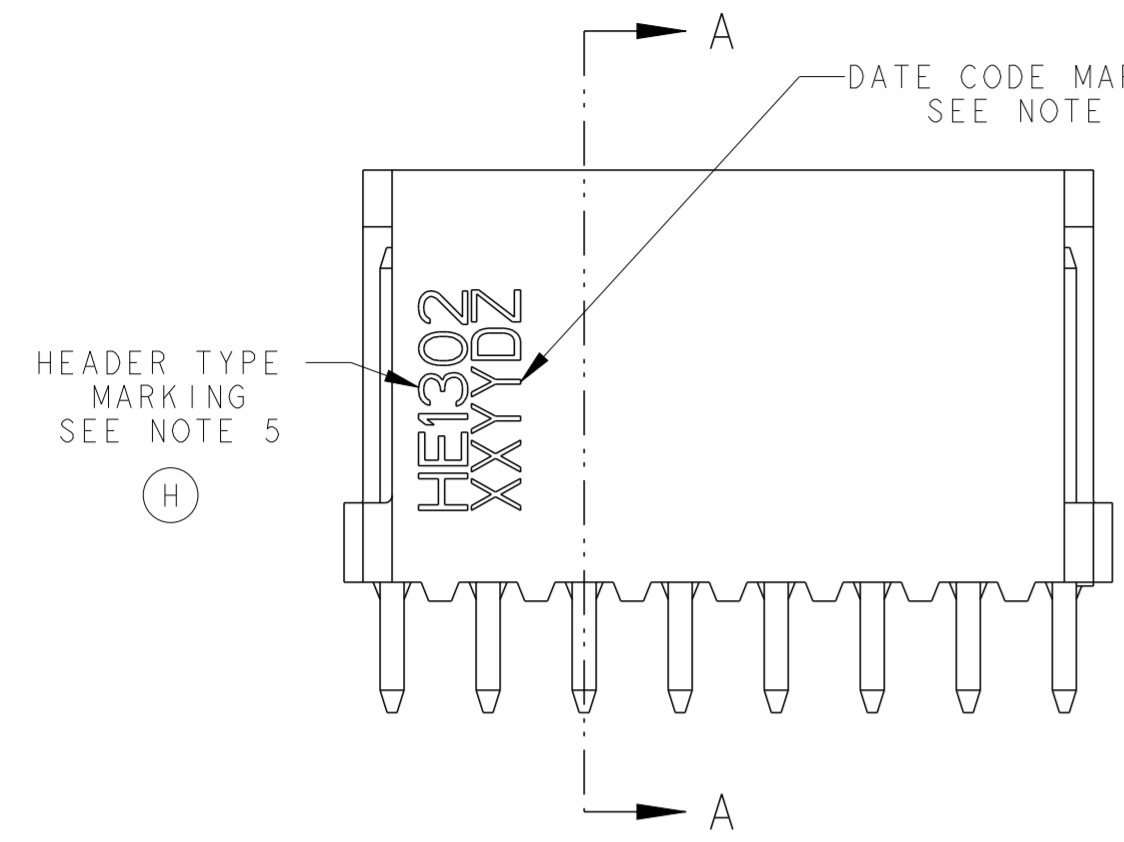
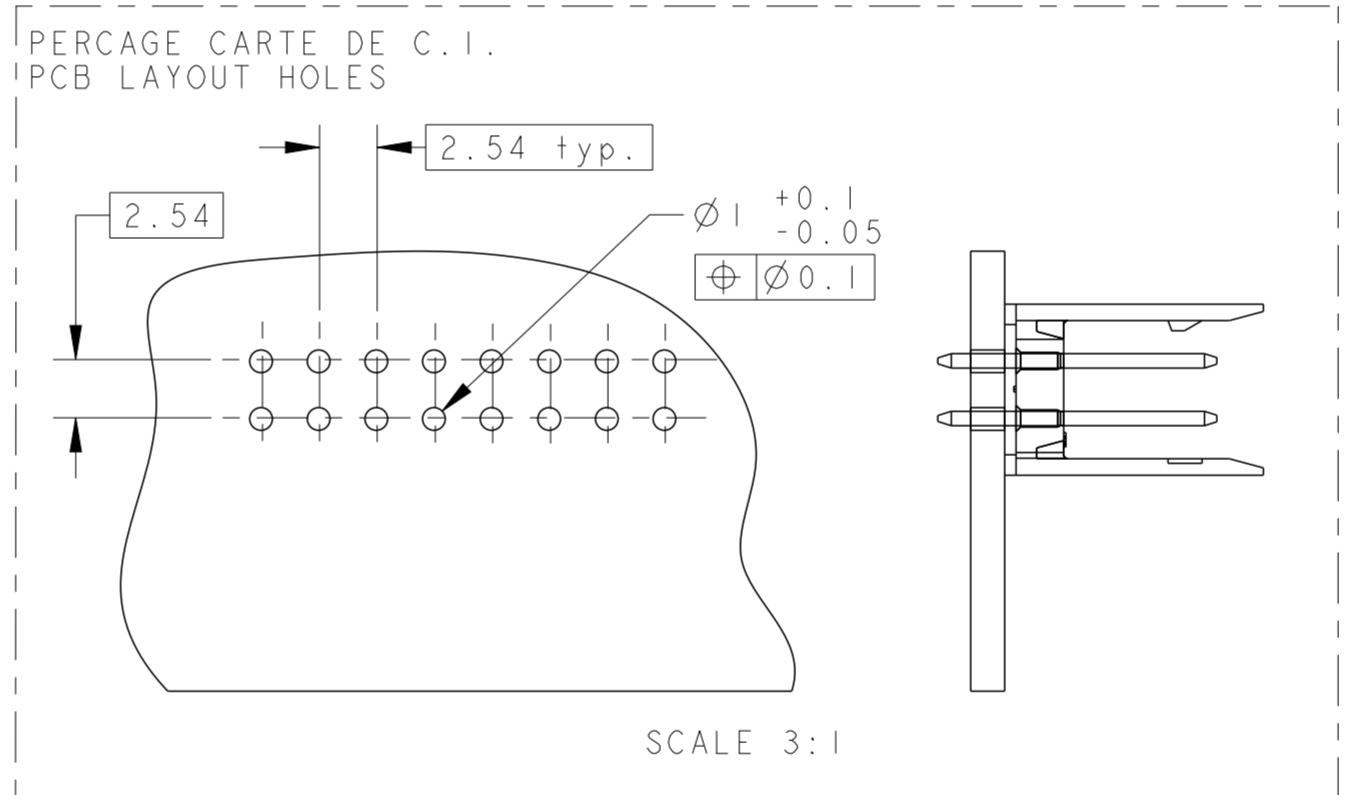
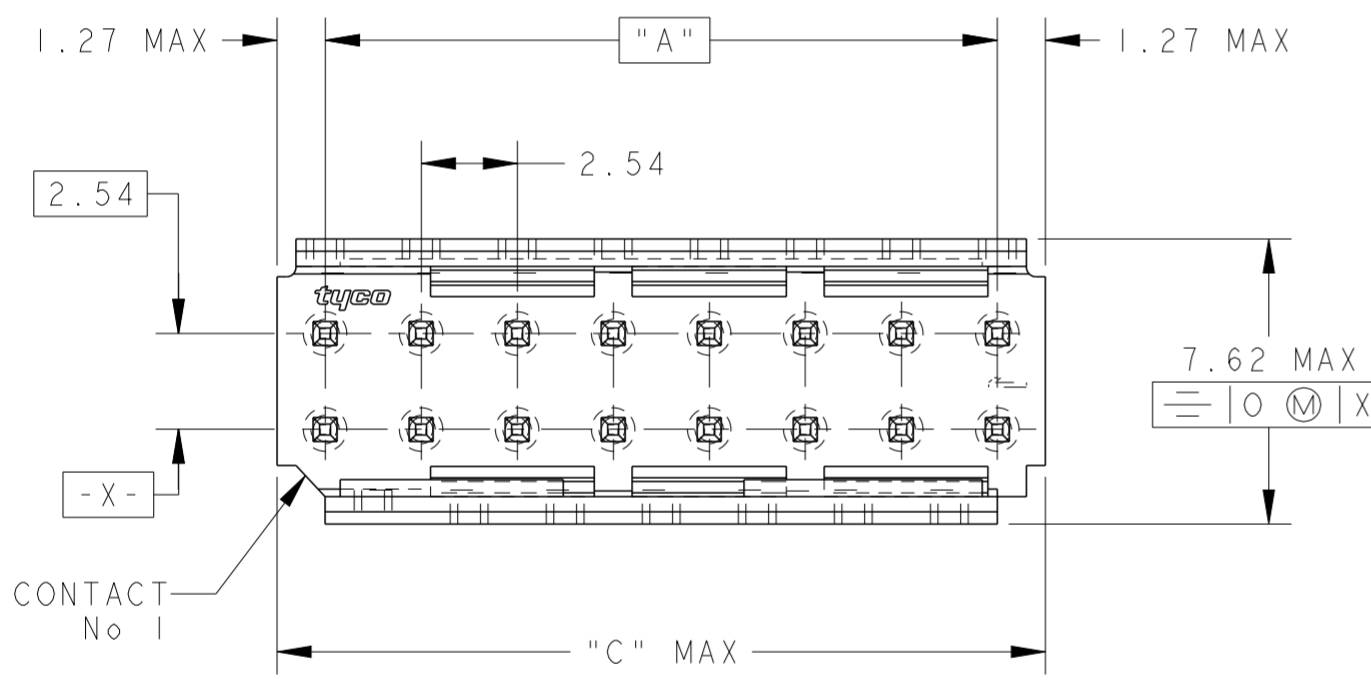


THIS DRAWING IS UNPUBLISHED.
 DIFFUSION RESTREINTE
 © COPYRIGHT 20 BY -
 RELEASED FOR PUBLICATION
 LIBRE A LA DIFFUSION
 20
 ALL RIGHTS RESERVED.
 TOUS DROITS RESERVES

REVISIONS					
P	LTR	DESCRIPTION MODIFICATIONS	DATE	DWN DESS.	APVD APP.
	HI	PLATING NOTES CORRECTED	02AUG2016	KJK	PS



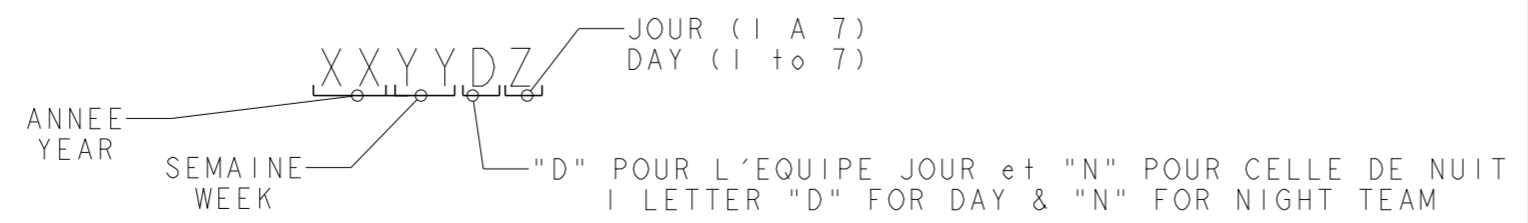
SCALE 6:1



SCALE 3:1

	OBSOLETE	50.80	48.26	2x 20	2-281740-0
		45.72	43.18	2x 18	1-281740-8 *
	OBSOLETE	43.18	40.64	2x 17	1-281740-7
		38.10	35.56	2x 15	1-281740-5 *
	OBSOLETE	33.02	30.48	2x 13	1-281740-3
		30.48	27.94	2x 12	1-281740-2 *
		25.40	22.86	2x 10	1-281740-0 *
		20.32	17.78	2x 8	0-281740-8 *
		15.24	12.70	2x 6	0-281740-6 *
		12.70	10.16	2x 5	0-281740-5 *
		10.16	7.62	2x 4	0-281740-4 *
		7.62	5.08	2x 3	0-281740-3 *
		5.08	2.54	2x 2	0-281740-2
		C	A	Nb DE POS	PART NUMBER
		DIMENSIONS			

- NOTES:
- THESE HEADERS ARE DESIGNED TO BE MATED WITH "HE1302" RECEPTACLES DOUBLE ROW
 - THE PART NUMBERS FOLLOWED BY * ARE COVERED BY INTERNATIONAL STANDARD IEC 603-8
 - CONTACTS PLATING: MATING AREA, MIN 0.4µm SELECTIVE GOLD OVER MIN. 1.27µm NICKEL
SOLDER AREA, MIN 2.5µm TIN OVER MIN. 1.27µm NICKEL
 - PLASTIC MATERIAL: HIGH TEMPERATURE THERMOPLASTIC, UL-94V-0, BLUE COLOR
CONTACT MATERIAL: PHOSPHOR BRONZE
 - HEADER TYPE MARKING (HE1302) WITH BLACK INK
 - DATE CODE MARKING WITH BLACK INK:



THIS DRAWING IS A CONTROLLED DOCUMENT.
 CE PLAN EST UN DOCUMENT CONTROLE PAR AMP INCORPORATED.
 IL EST SUSCEPTIBLE D'ETRE REVISE. CONTACTER LE SERVICE
 TECHNIQUE D'AMP DE FRANCE POUR OBTENIR LA DERNIERE REVISION.

DIMENSIONS: mm

TOLERANCES UNLESS OTHERWISE SPECIFIED: (SUIV NB DE DECIMALES)
 0 PLC/DEC: ±
 1 PLC/DEC: ±0.3
 2 PLC/DEC: ±
 3 PLC/DEC: ±
 4 PLC/DEC: ±
 ANGLES ±5°

MATERIAL/MATIERE FINISH/FINITION

SEE NOTE 4 SEE NOTE 3

DWN/DESSINE 22NOV2000
 C. COMBEDOUZON
 CHK/VERIFIE 22NOV2000
 T. CORRIOLU
 APVD/APPROUVE 22NOV2000
 Y. PETRONIN

PRODUCT SPEC SPEC. PRODUIT 108-15053

APPLICATION SPEC SPEC. APPLICATION

WEIGHT MASSE APPROX. -

CUSTOMER DRAWING /PLAN CLIENT

UNIQUEMENT POUR REFERENCE

SCALE ECHELLE 5:1

SHEET FEUILLE OF DE 1

REV HI

STE TE Connectivity

NAME TITRE HEADERS HE13, DOUBLE ROW, STRAIGHT

SIZE FORMAT A2

CAGE CODE 0779

DRAWING NO No PLAN C-281740

RESTRICTED TO RESERVE A

单击下面可查看定价，库存，交付和生命周期等信息

[>>TE Connectivity\(泰科\)](#)