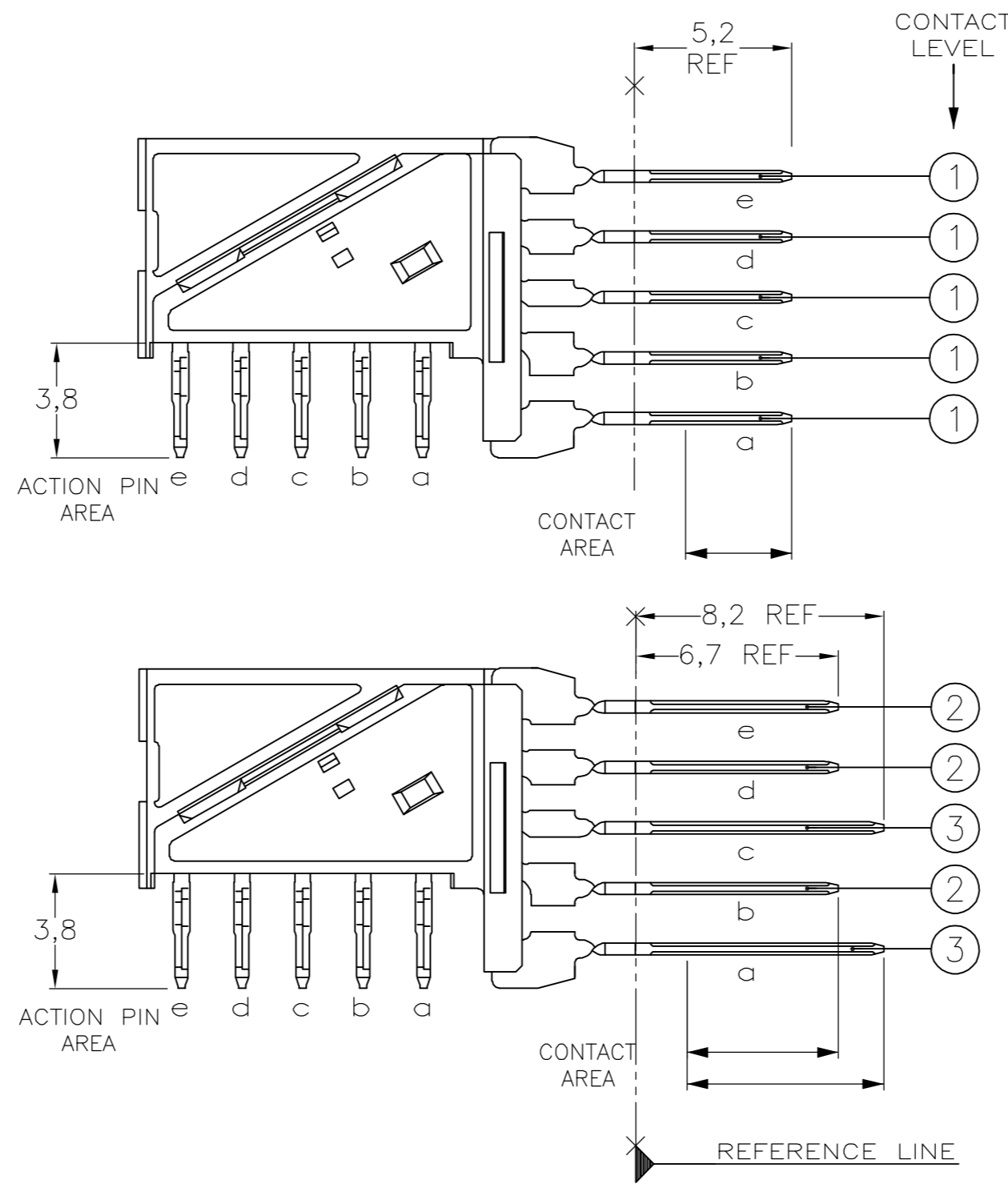


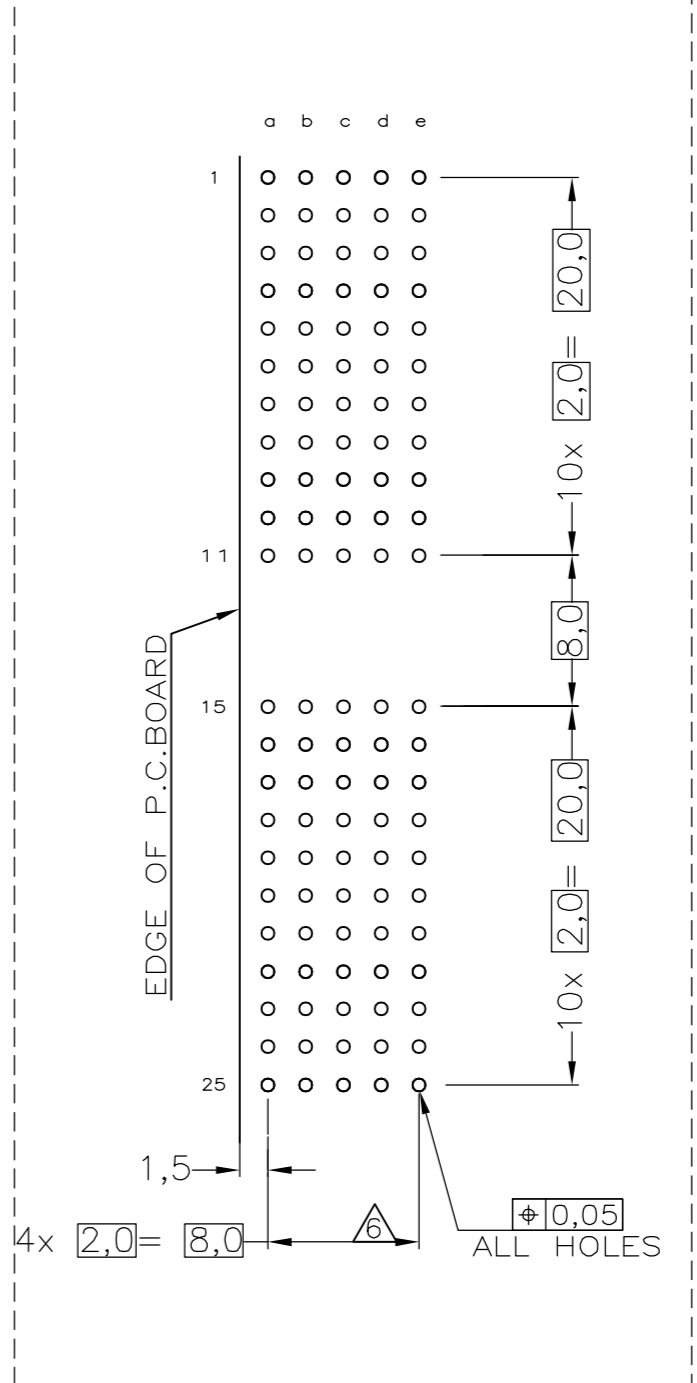
**CONNECTOR ASSEMBLY
EXEMPLARY LOADED**

CONTACT DIMENSIONS

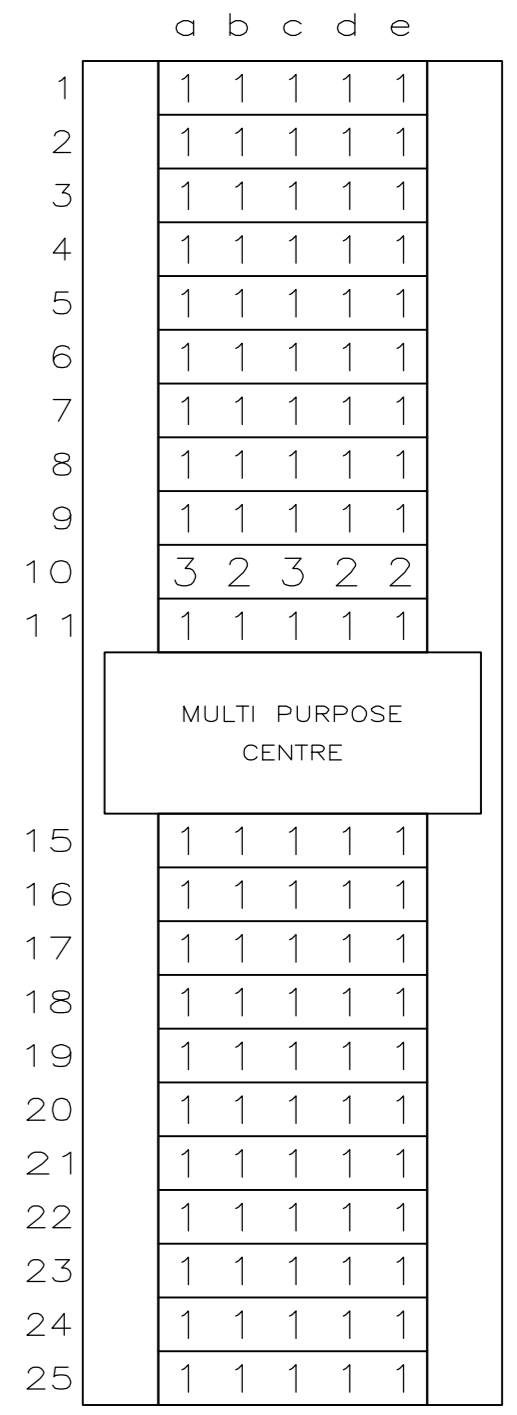


Loc	DIST	REVISIONS			
P	LTR	DESCRIPTION	DATE	DWN	APVD
C		EHC0-0195-04	06-07-04	DvdB	BM
D		EH10-0680-05	06-06-05	BSV	BM
D1		ECR-06-002635	07-02-06	BSV	BM

**RECOMMENDED PCB-HOLE LAY-OUT
COMPONENT SIDE SHOWN**



CONTACT LAYOUT



P.C.B. HOLE DIM. ACTION PIN
FOR DETAILS SEE
APPLICATION SPECIFICATION

- NOTES:**
- 1 MATERIAL HOUSING : GREY GLASSFILLED POLYESTER
UL-RATING V0
 - 2 CONTACT : PHOSPHORBRONZE
 - 3 GENERAL PLATING SPECIFICATION: UNDERPLATING (ENTIRE CONTACT):
1,27µm NICKEL MIN. AND ACTION PIN: 0,5µm TIN-LEAD MIN.
FOR PLATING OF MATING SURFACES SEE APPLICABLE SPECIFICATION
REFERENCE FOR EACH DASH NUMBER.
 - 4 CONFORMS TO ALL TESTING ACCORDING IEC 61076-4-101
PERFORMANCE LEVEL 2.
 - 5 CONNECTOR ASSEMBLY WITH LATCH HINGE FOR CABLE CONNECTOR.
 - 6 CONNECTOR PRINTED WITH PARTNUMBER AND DATECODE
 - 7 PLATED-THROUGH HOLES AT 2x2mm SQUARE GRID.
 - 8 AREA FOR KEYING PART (BASIC PART NUMBER 100525).

THIS DRAWING IS A CONTROLLED DOCUMENT.		DWN L.v.d.HEJNDEN 15DEC97	Tyco Electronics Corporation s-HertogenBosch, Netherlands,	
DIMENSIONS: MM		CHK D. TRUREN 15DEC97		
TOLERANCES UNLESS OTHERWISE SPECIFIED:		APVD F.v.KONINGSBRUGGE -	NAME	
0 PLC ± -		PRODUCT SPEC	Z-PACK 2MM HM TYPE A 110 POS. RIGHT ANGLE MALE CONNECTOR ASSEMBLY	
1 PLC ± -		APPLICATION SPEC	SIZE A2	CAGE CODE 00779
2 PLC ± -		WEIGHT -	DRAWING NO C=188396	RESTRICTED TO -
3 PLC ± -		CUSTOMER DRAWING	SCALE NTS	SHEET 1 OF 1
4 PLC ± -				REV D1
ANGLES ± -				
FINISH -				

单击下面可查看定价，库存，交付和生命周期等信息

[>>TE Connectivity\(泰科\)](#)