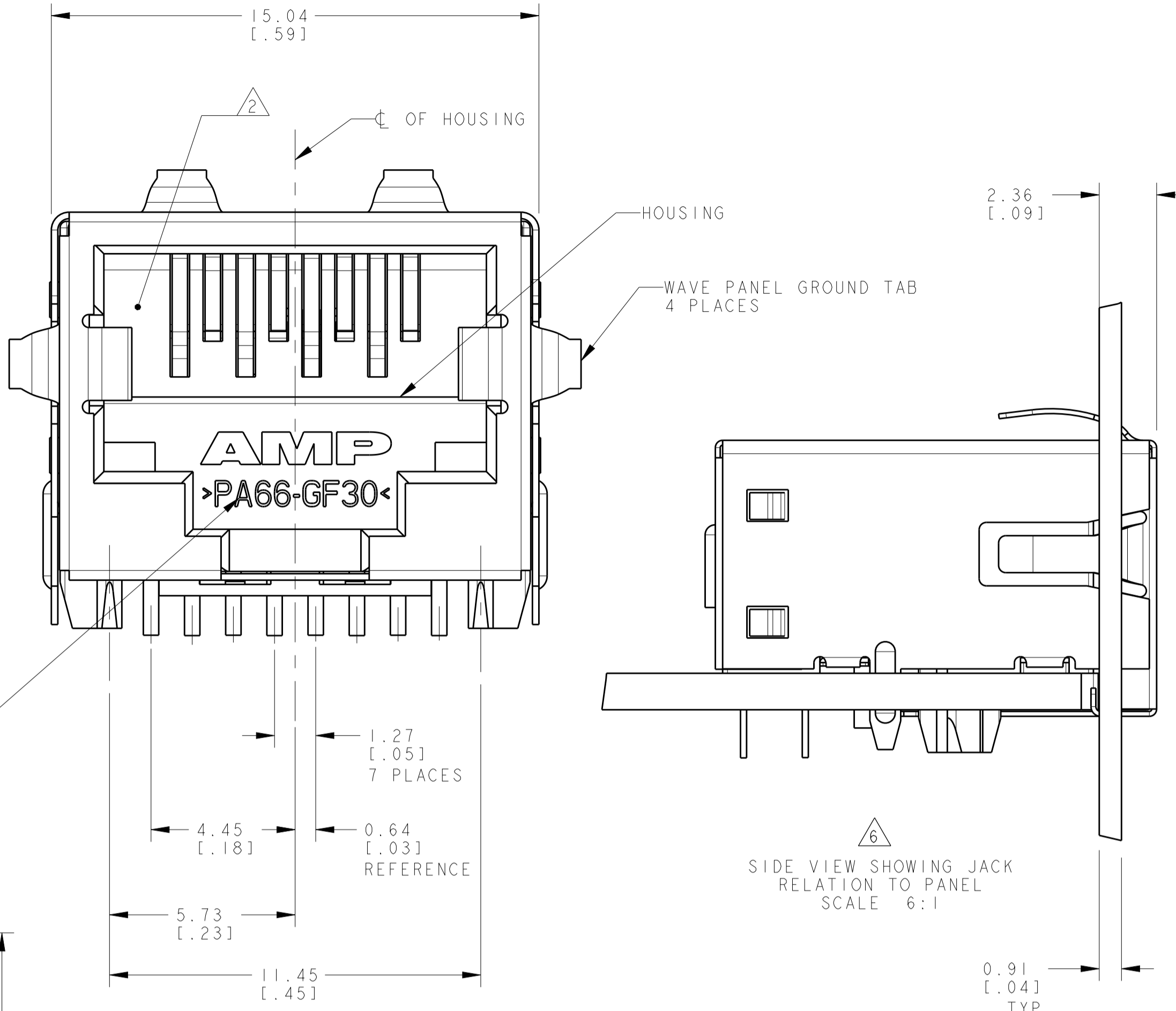
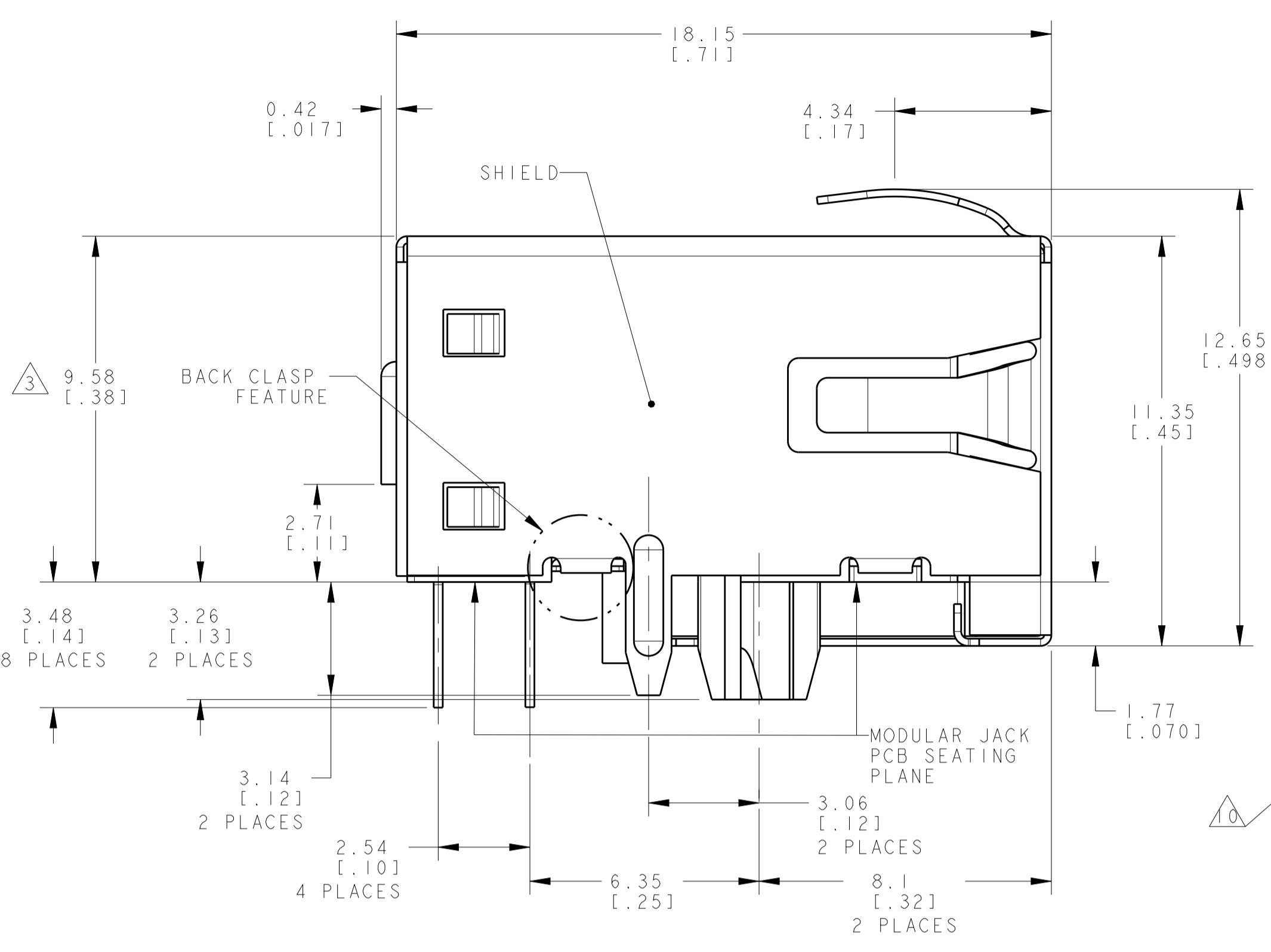
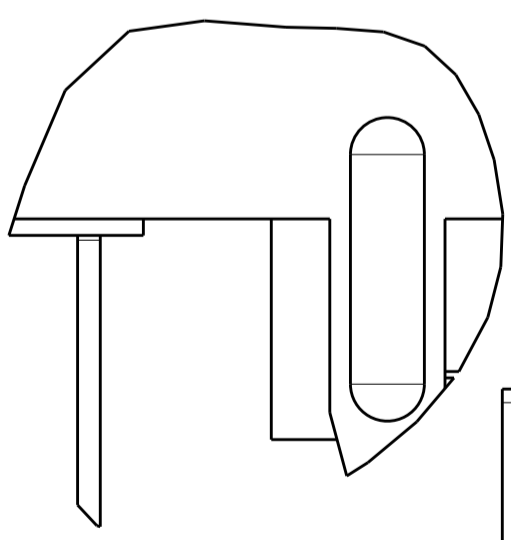
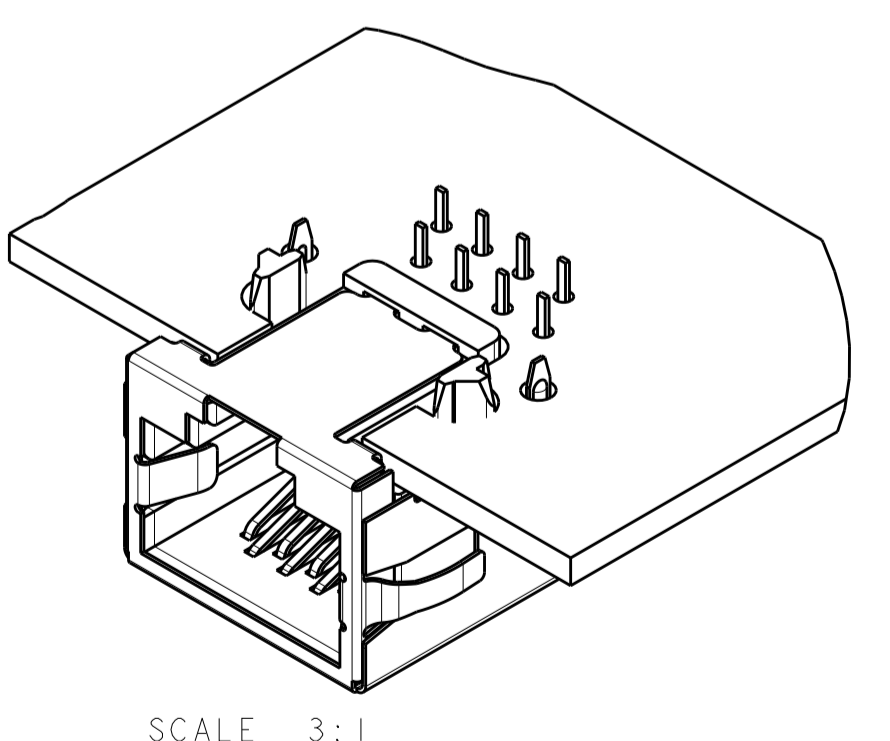
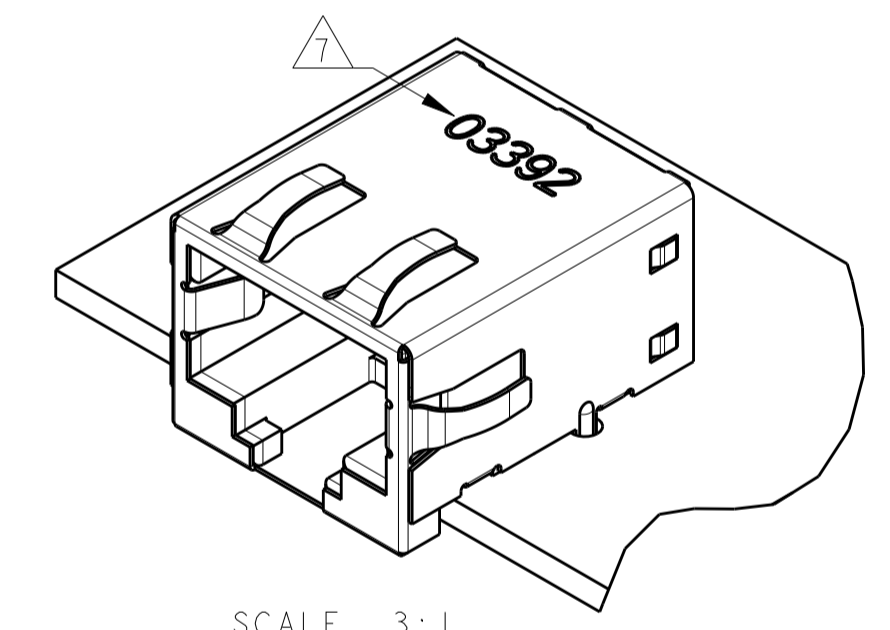
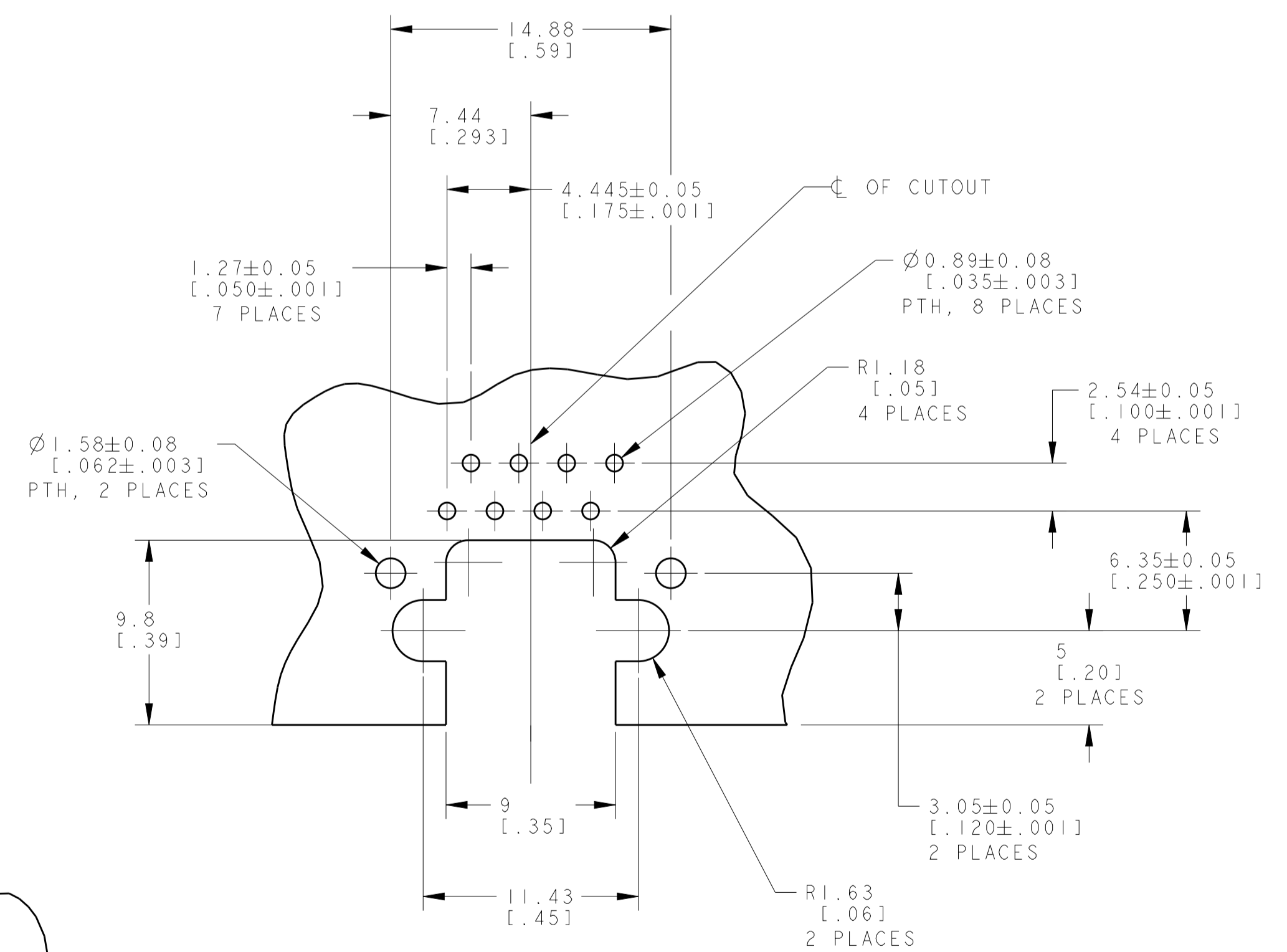
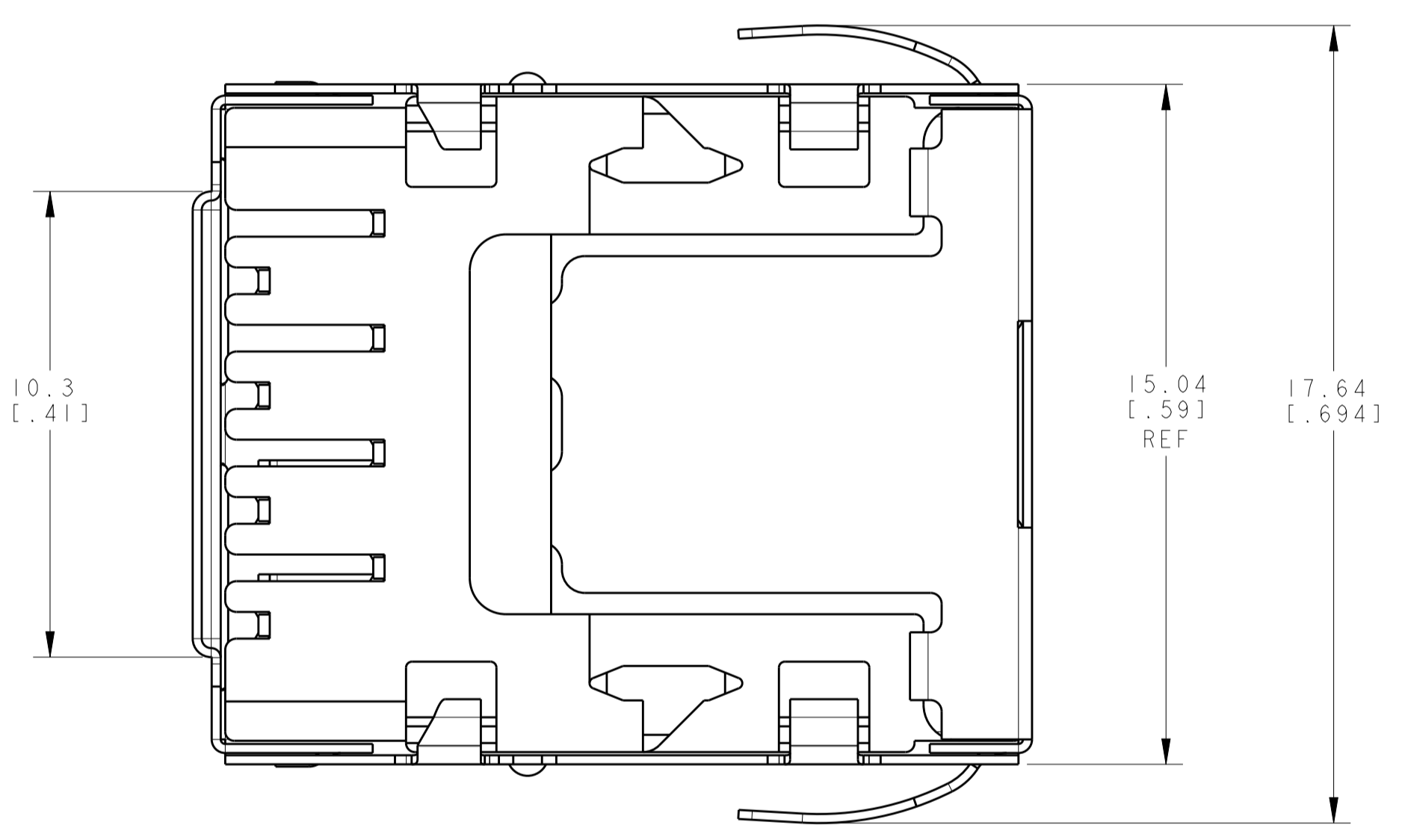


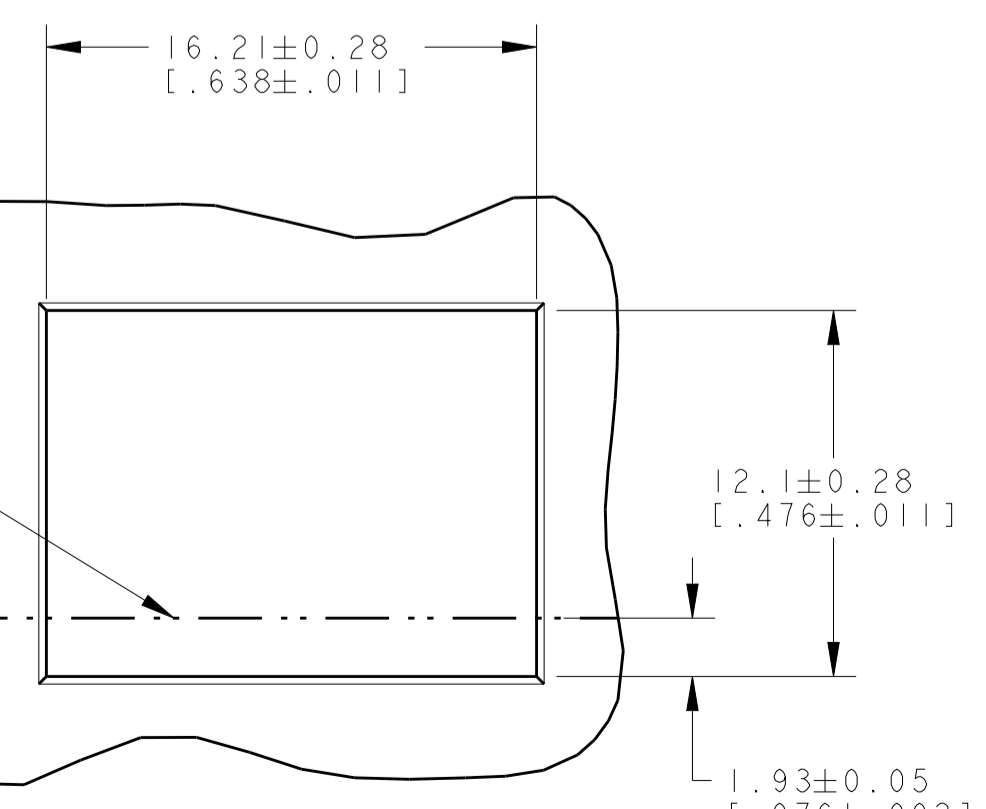
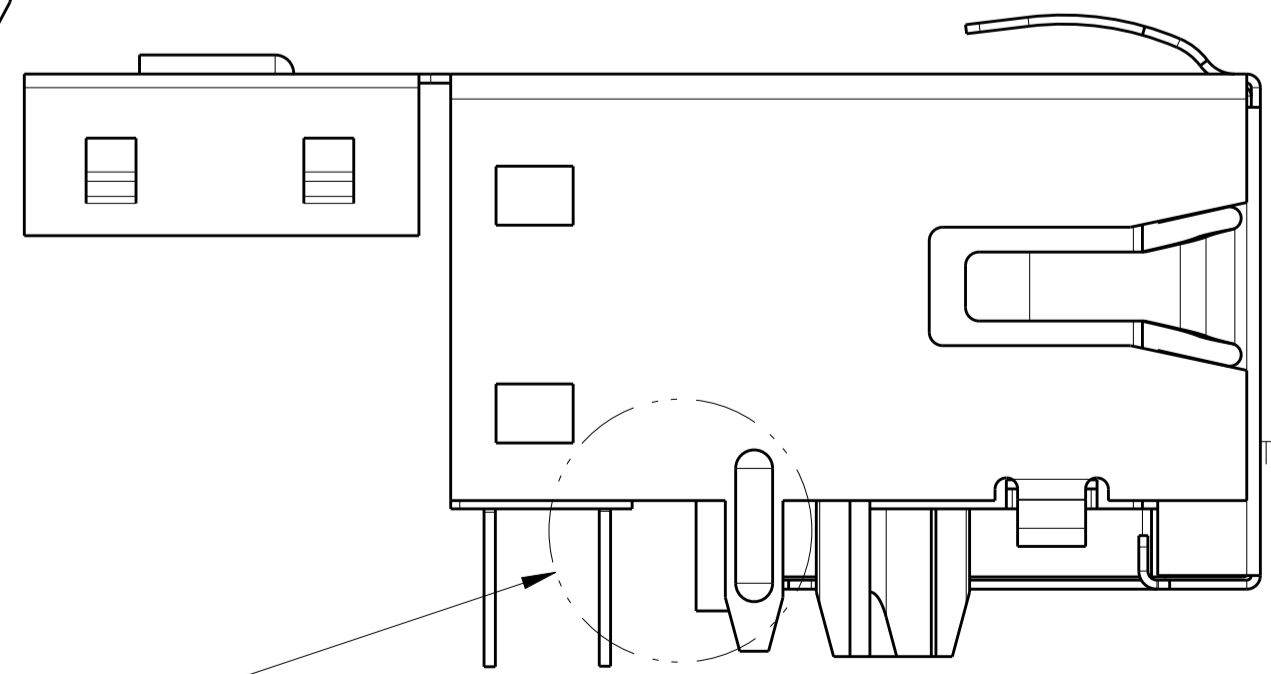
REVISIONS				
P.	LTN.	DESCRIPTION	DATE	OWN. APVD.
C		REVISE PER ECO-14-015233	27APR2015	LL SH
D		REVISE PER ECO-17-005794	23FEB2016	LL SH



- △ MATERIAL: HOUSING - HIGH TEMPERATURE NYLON, BLACK, UL 94V-0
TERMINALS - 0.25[.01] THICK PHOS BRONZE PLATED WITH 3.81μm[.000150] MINIMUM THICK MATTE TIN IN SOLDER AREA, 1.27μm[.000050] MINIMUM GOLD IN LOCALIZED PLATE AREA. ENTIRE TERMINAL PLATED WITH 1.27μm[.000050] MINIMUM THICK NICKEL.
SHIELD - 0.1[.0039] MIN THICK COPPER ZINC ALLOY, PREPLATED WITH 2.0-4.0 μm (.000079-.000157) THICK BRIGHT TIN OVER 1.27 μm (.000050) MIN. THICK NICKEL.
- △ JACK CAVITY CONFORMS TO FCC RULES AND REGULATIONS PART 68, SUBPART F.
- △ THIS DIMENSION REPRESENTS THE TOTAL HEIGHT OF THE CONNECTOR FROM THE TOP OF THE PC BOARD.
- 4. PACKAGED 66 ASSEMBLIES PER PVC TRAY, XX PER BOX.
- 5. DIELECTRIC WITHSTANDING VOLTAGE BETWEEN SHIELD AND CONTACT IS 1500 VAC (RMS) PER IEEE 802.3.
- △ SEE TYCO PN 1116062-1 FOR IEEE 1386 MEZZANINE PCI CARD APPLICATIONS. PN 1658869-1 IS NOT COMPATIBLE WITH IEEE 1386 BEZEL.
- △ MANUFACTURING DATE CODE:
ORIENTED AND LOCATED APPROXIMATELY AS SHOWN.
LASER PRINTING. TEXT HEIGHT APPROX. 2MM.
FIRST 2 DIGITS = LAST 2 DIGITS OF YEAR
NEXT 2 DIGITS = MANUFACTURING WORK WEEK
LAST DIGIT = DAY OF WEEK WITH SUNDAY = 1
- △ MATERIAL: HOUSING - HIGH TEMPERATURE NYLON, BLACK, UL 94V-0
TERMINALS - 0.25[.01] THICK PHOS BRONZE PLATED WITH 3.81μm[.000150] MINIMUM THICK MATTE TIN IN SOLDER AREA, 1.27μm[.000050] MINIMUM GOLD IN LOCALIZED PLATE AREA. ENTIRE TERMINAL PLATED WITH 1.27μm[.000050] MINIMUM THICK NICKEL.
SHIELD - 0.1[.0039] MIN THICK COPPER ZINC ALLOY, PLATED WITH 1.27 μm (.000050) MIN. THICK NICKEL AND 2.03 μm (.000080) MIN. THICK HOT TIN DIP ON PCB GROUND TABS.
- △ MATERIAL: HOUSING - LCP, NATURE, UL94V-0.
OTHER MATERIAL SAME AS NOTE 8.
- △ >LCP-GF30< MARK ONLY FOR 1888542-4.
- △ THE PN 1888542-4 SHALL MEET LOW BR/CL/F AS DEFINED IN TEC-138-702.



DETAIL A
SCALE 12:1



SUGGESTED PANEL CUTOUT
SCALE 4:1

SCALE 6:1
P/N: 1888542-3, -4
FEATURE SAME AS 1888542-2
EXCEPT AS SHOWN WITHOUT
BACK CLASP FEATURE

THIS DRAWING IS A CONTROLLED DOCUMENT.		OWN. 01JUNE2006		DR. 01JUNE2006	
DIMENSIONS: mm [INCHES]		TOLERANCES UNLESS OTHERWISE SPECIFIED:		NAME	
0 PLC	±	0 PLC	±	BRIAN KUHNLYZ & MARY J. WESTMAN	
2 PLC	±	2 PLC	±	S. FLICKINGER	
3 PLC	±	3 PLC	±	APVD. 01JUNE2006	
4 PLC	±	4 PLC	±	PRODUCT SPEC	
5 PLC	±	5 PLC	±	108-1163	
6 PLC	±	6 PLC	±	APPLICATION SPEC	
7 PLC	±	7 PLC	±	114-2048	
8 PLC	±	8 PLC	±	SIZE CAGE CODE DRAWING NO. RESTRICTED TO	
9 PLC	±	9 PLC	±	114-2048	
10 PLC	±	10 PLC	±	WEIGHT 3.49 grams	
11 PLC	±	11 PLC	±	CUSTOMER DRAWING	
12 PLC	±	12 PLC	±	SCALE 3:1 SHEET 1 OF 1 REV D	

DESCRIPTION	REV	PART NUMBER
T&R	9	1888542-4
TRAY	8	1888542-3
TRAY	7	1888542-2
PACKAGE	6	MATERIAL / FINISH
	5	PART NUMBER



TE Connectivity
MODULAR JACK ASSEMBLY,
8 POSITION, SHIELDED, 10mm,
WAVE PANEL GROUND TABS

单击下面可查看定价，库存，交付和生命周期等信息

[>>TE Connectivity\(泰科\)](#)