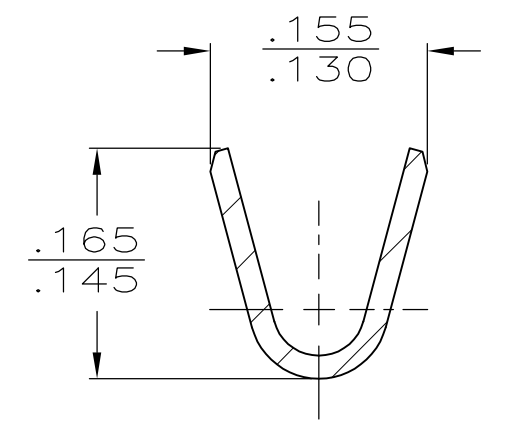
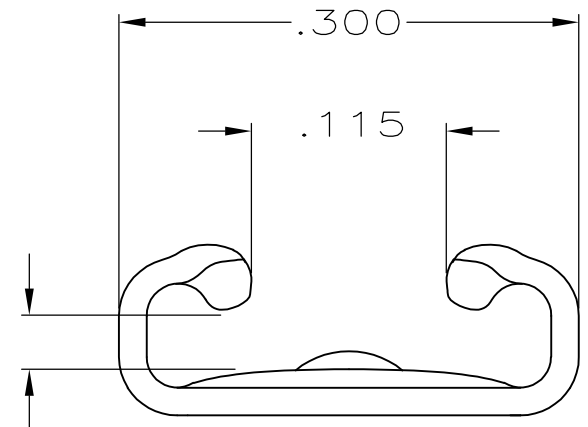
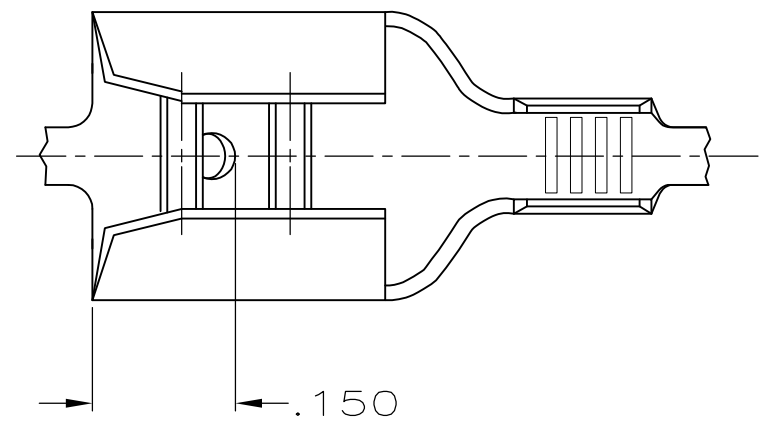


THIS DRAWING IS UNPUBLISHED. RELEASED FOR PUBLICATION
 © COPYRIGHT - By - ALL RIGHTS RESERVED.

LOC	DIST	REVISIONS					
AF	50	P	LTR	DESCRIPTION	DATE	DWN	APVD
			F	REVISED PER ECR-12-013445	18OCT12	KH	PD

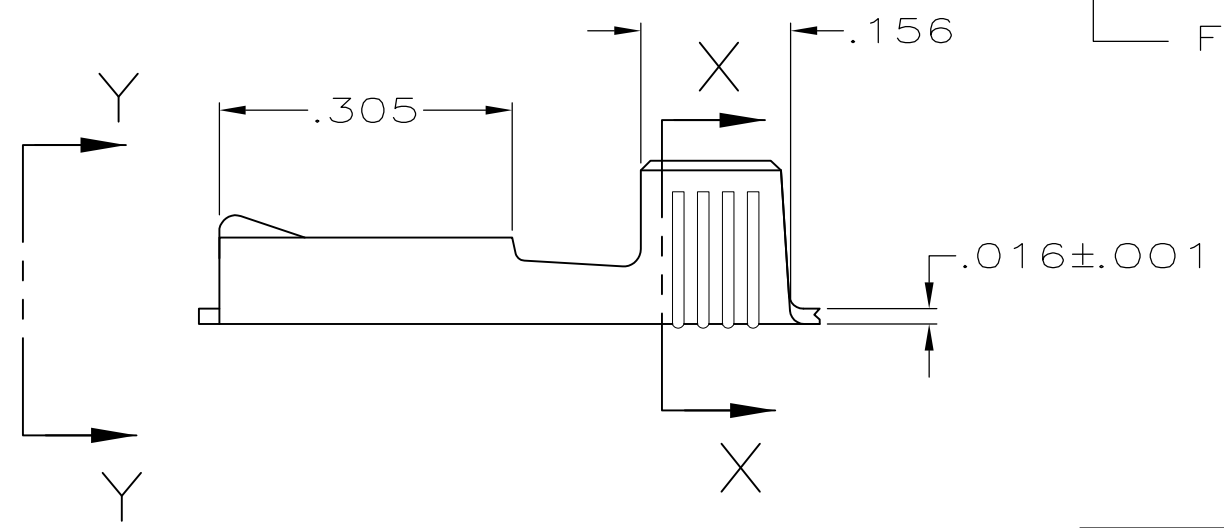
1 CONTINUOUS STRIP ON REELS




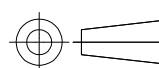
FITS .250 SERIES FASTON TAB

VIEW Y-Y
SCALE 8:1

SECTION X-X
SCALE 8:1



TIN	18-14	.032	42845-2
-			42845-1
FINISH	WIRE SIZE	MATING TAB THK ±.001	PART NO

THIS DRAWING IS A CONTROLLED DOCUMENT.		DWN JR RUTH 5/9/90	 TE Connectivity RECEPTACLE, FASTON, .250 SERIES			
DIMENSIONS: INCHES		CHK MS FEHER 5/9/90				
		APVD C MEYERS 5/9/90				
TOLERANCES UNLESS OTHERWISE SPECIFIED:		NAME				
0 PLC ± - 1 PLC ± - 2 PLC ± - 3 PLC ± .015 4 PLC ± - ANGLES ± -		PRODUCT SPEC	SIZE	CAGE CODE	DRAWING NO	RESTRICTED TO
MATERIAL BRASS		FINISH SEE TABLE	—	A300779	C-42845	—
CUSTOMER DRAWING			SCALE 5:1	SHEET 1 OF 1	REV F	

单击下面可查看定价，库存，交付和生命周期等信息

[>>TE Connectivity\(泰科\)](#)