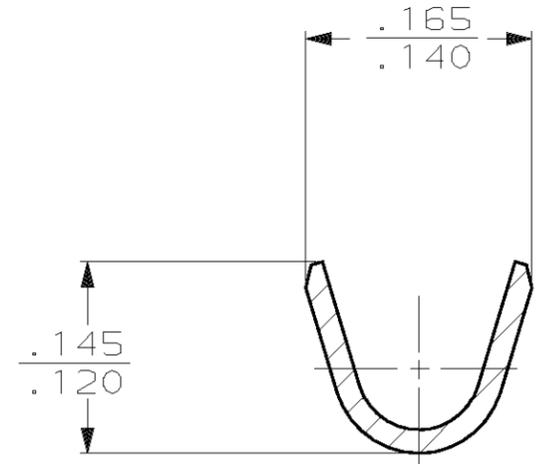
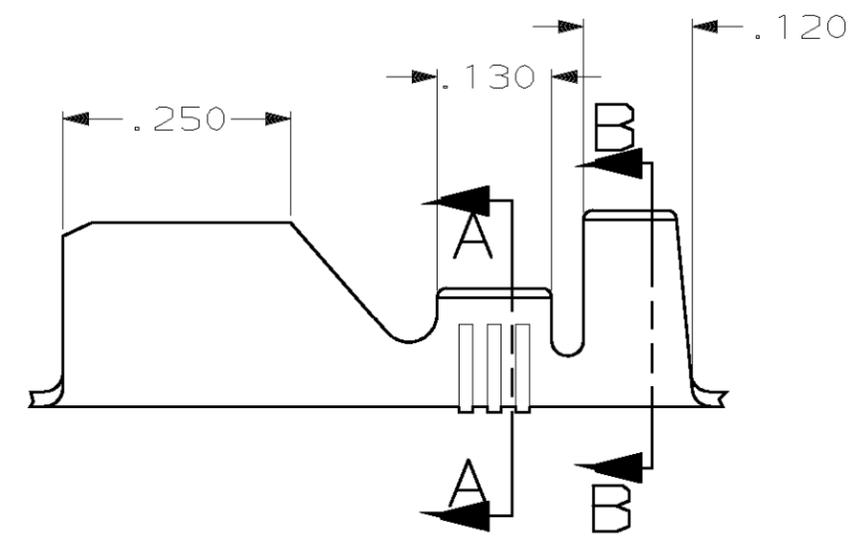
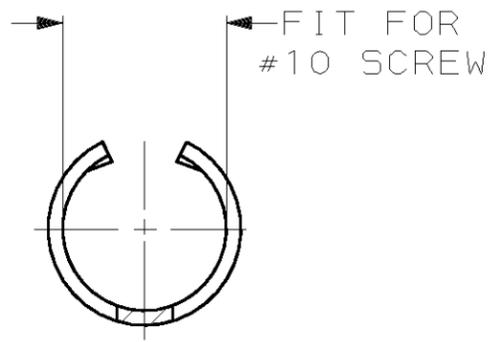
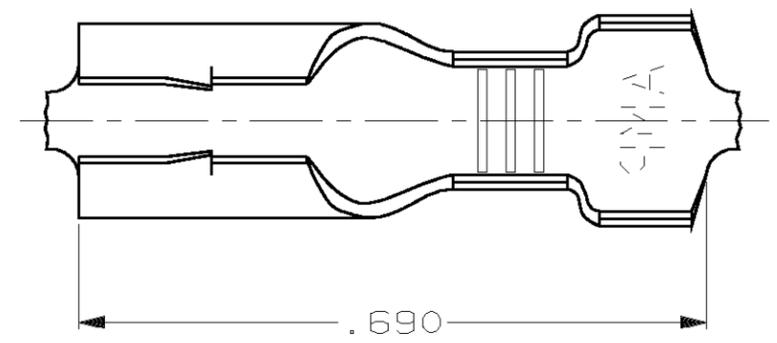


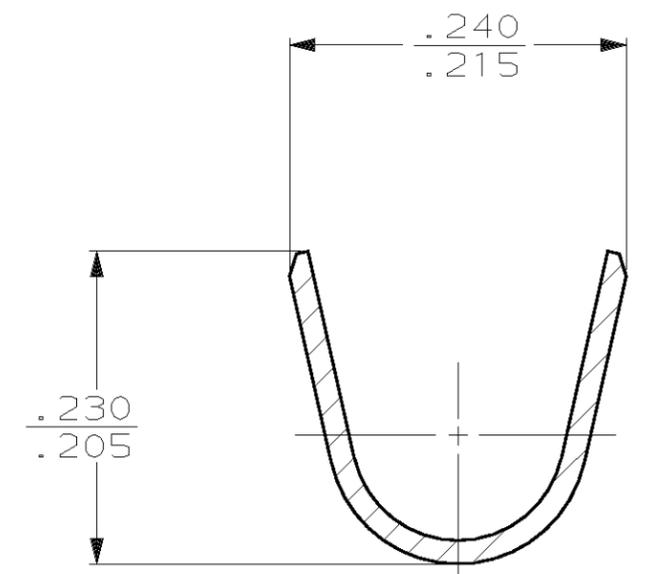
THIS DRAWING IS UNPUBLISHED. RELEASED FOR PUBLICATION, 19
 © COPYRIGHT 19 BY AMP INCORPORATED. ALL INTERNATIONAL RIGHTS RESERVED.

LOC	DIST	P	F	ZONE	LTR	REVISIONS	DATE	APPD
AF	50				F	REV PER 0G3A-0402-01	22JUN01	JR/DD

1 CONTINUOUS STRIP ON REELS



SECTION A-A
SCALE 8:1



SECTION B-B
SCALE 8:1

		.130-.175 DIA		18-14 AWG		42308-1	
		INSULATION RANGE		WIRE SIZE		PART NO	
0	.180	.200	F	.120	.067	14	DO NOT SCALE PRINT. UNLESS SPECIFIED DIMENSIONS IN mm [INCHES] TOLERANCES ON: 2 PLC DEC ± - 3 PLC DEC ± .015 ANGLES ± -
					.059	16	
					.053	18	
TYPE	WIDTH	STRIP LENGTH ±.015	TYPE	WIDTH	±.002 HEIGHT	WIRE	MATERIAL
INSUL BARREL CRIMP			WIRE BARREL CRIMP				#4 HARD BRASS
						FINISH	
						DR 3/14/90 P FORTNEY	
						CHK 3/14/90 JR RUTH	
						APPD 3/14/90 G YETTER	
						APPD 3/14/90 R KUZO	
						PRODUCT SPEC	
						APPLICATION SPEC	
						WEIGHT -	
						NAME	
						AMP INCORPORATED Harrisburg, Pa. 17105	
						PIN RECEPTACLE FOR #10 SCREW	
						SIZE B	
						CAGE CODE 00779	
						DRAWING NO 42308	
						SCALE 6:1	
						SHEET 1 OF 1	

单击下面可查看定价，库存，交付和生命周期等信息

[>>TE Connectivity\(泰科\)](#)