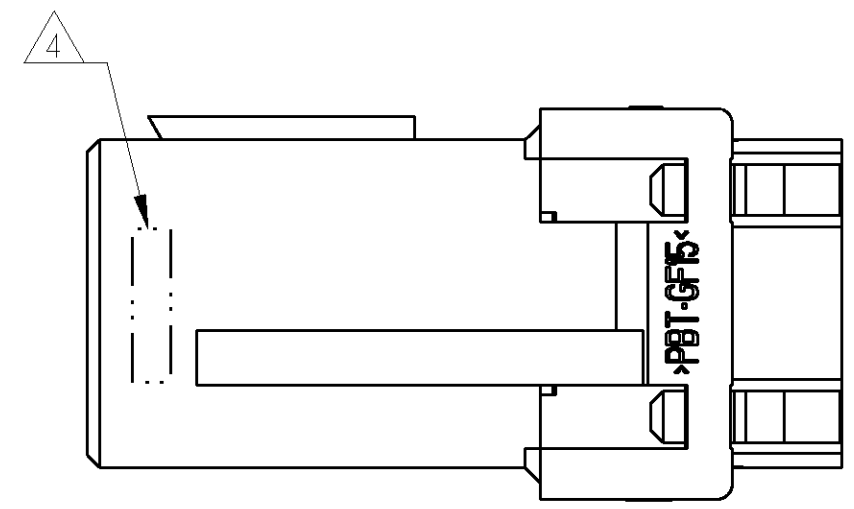
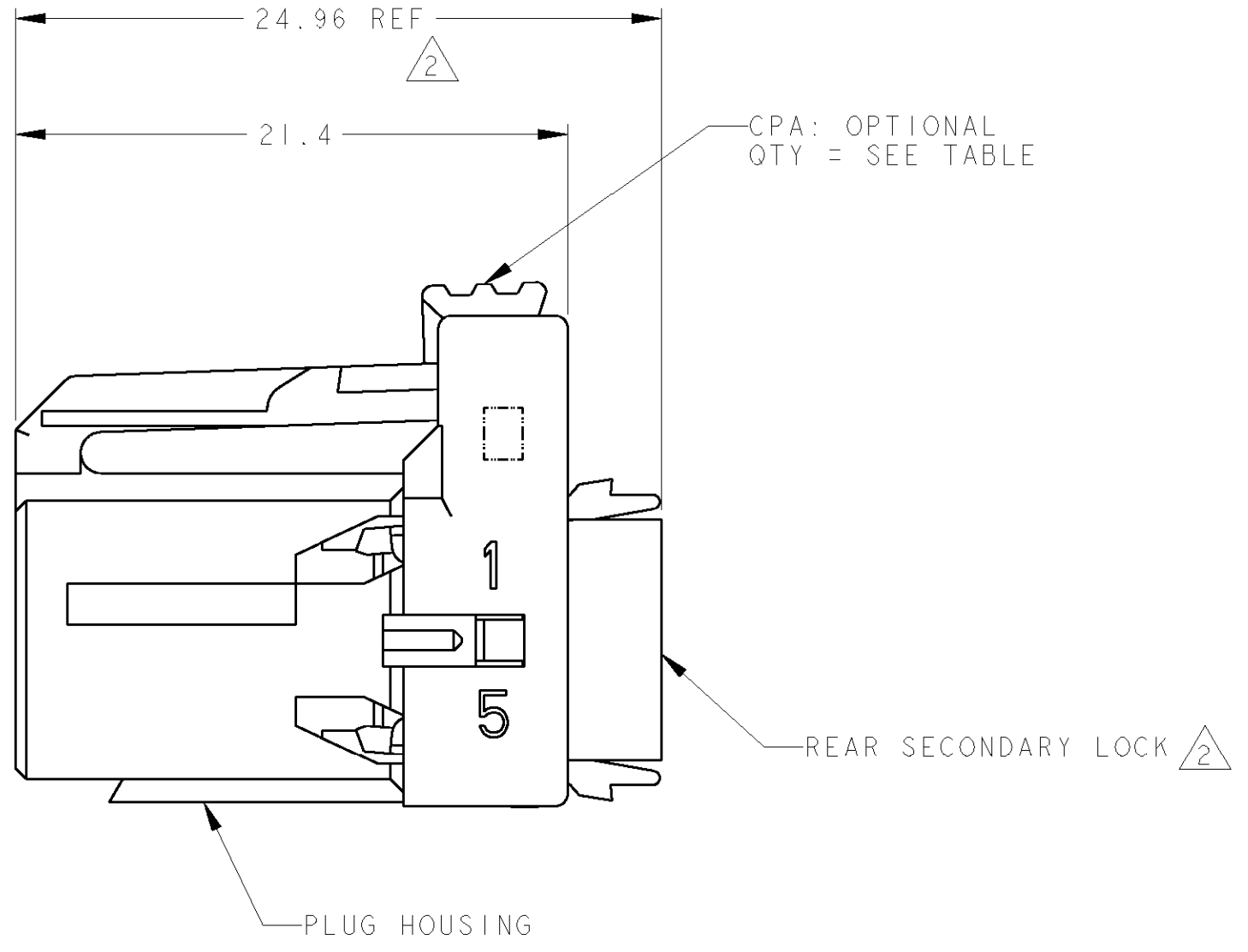
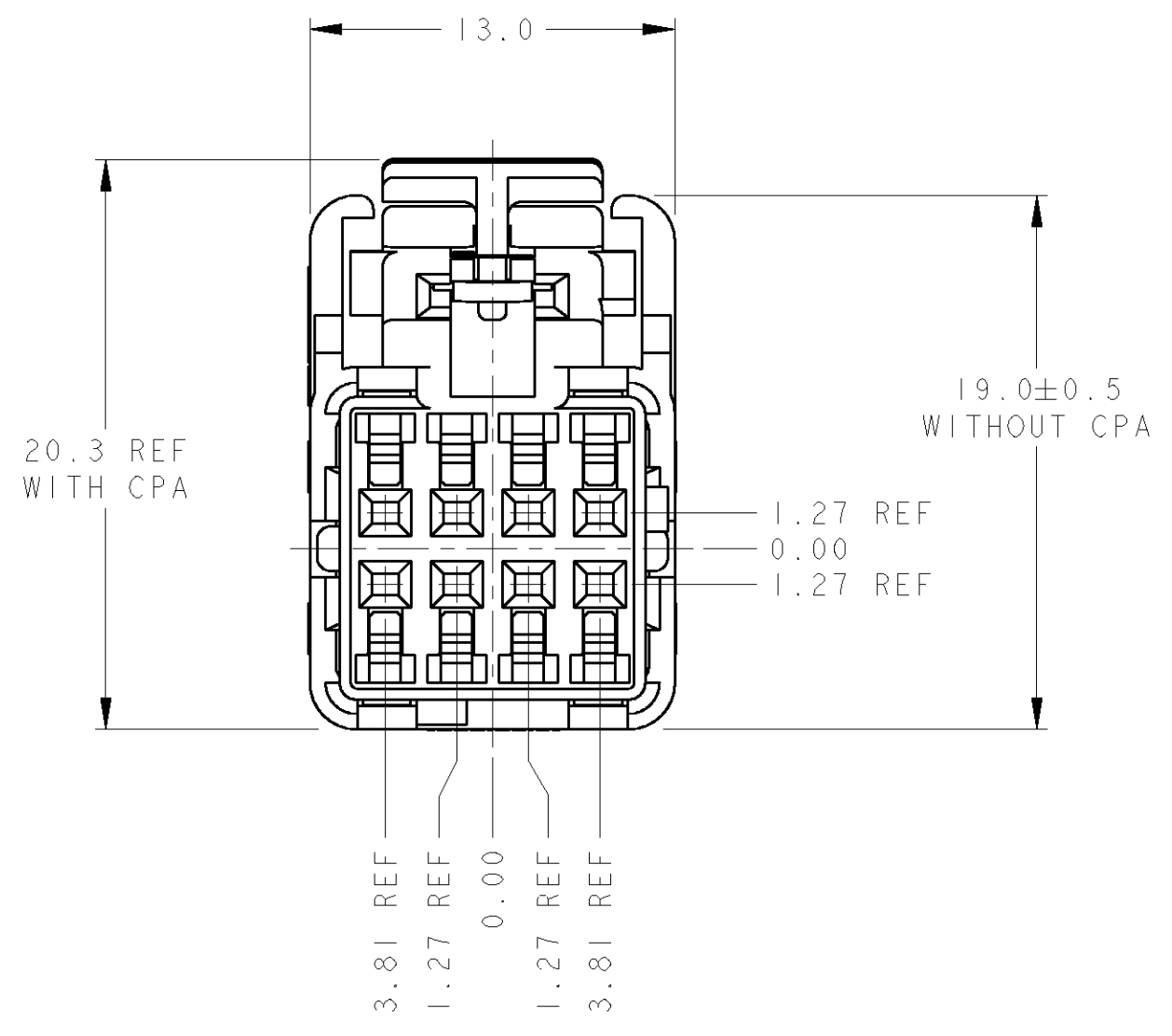


THIS DRAWING IS UNPUBLISHED. RELEASED FOR PUBLICATION  
 © COPYRIGHT 20 BY TYCO ELECTRONICS CORPORATION. ALL RIGHTS RESERVED.

LOC	DIST	REVISIONS					
		P	LTR	DESCRIPTION	DATE	DWN	APVD
FX	00		O	REL PER NPR# 20109	13DEC00	PC	AE
			A	REV PER EC# 0K80-0005-01	30JAN01	PC	AE
			-	-	-	-	-



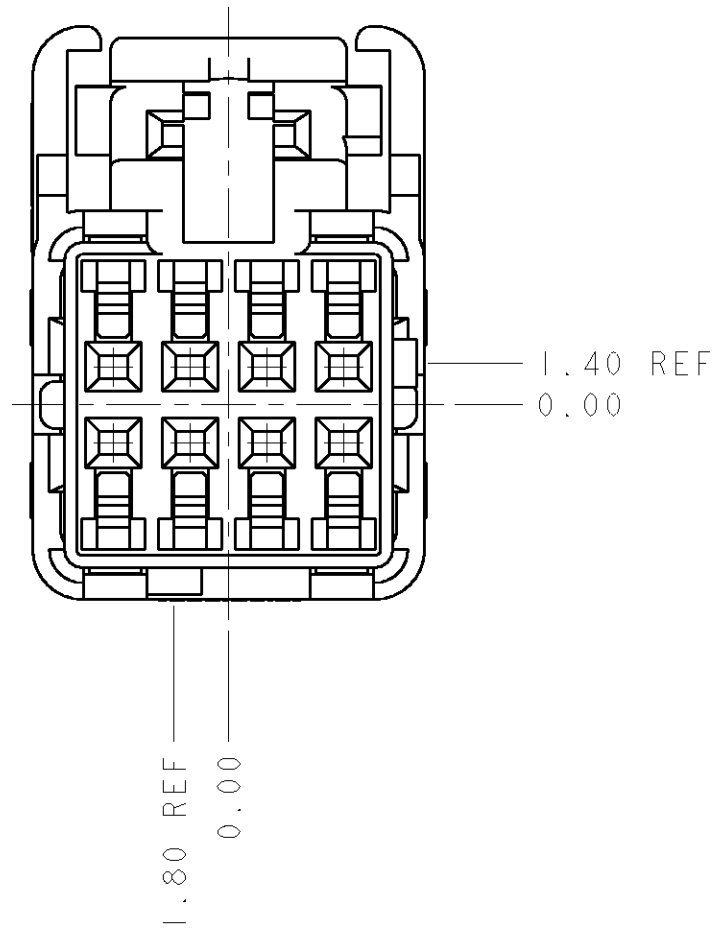
- 638392-4 SHOWN.
- REAR SECONDARY LOCK, SHOWN IN PRE-LATCHED POSITION.
- PLUG HOUSING: PBT, 15% GLASS FILLED, 25% MAX REGRIND, COLOR: SEE TABLE. REAR SECONDARY LOCK: PBT, UNFILLED, GRAY, 25% MAX REGRIND. CPA: PBT, 15% GLASS FILLED, RED, 25% MAX REGRIND.
- MARK FOUR DIGIT JULIAN DATE CODE (DDDY), LOCATED IN APPROXIMATE AREA SHOWN.
- TERMINALS SOLD SEPARATELY, SEE AMP RECOMMENDED P/N 1326028 (GOLD) OR 638551 (TIN) FOR TERMINATION AND REELING OPTIONS.
- THIS PRODUCT HAS A MINIMUM MISMATING FORCE OF 100 NEWTONS.
- WEIGHT OF ASSEMBLY WITH CPA IS 2.6 GRAMS. WEIGHT OF ASSEMBLY WITHOUT CPA IS 2.5 GRAMS.

I	PLC	KEYING	PART NUMBER
I	BLUE	"C"	638392-6
I	YELLOW	"B"	638392-5
I	BLACK	"A"	638392-4
N/A	BLUE	"C"	638392-3
N/A	YELLOW	"B"	638392-2
N/A	BLACK	"A"	638392-1
CPA QTY	PLUG HOUSING COLOR	KEYING ARRANGEMENT (SEE SHEET 2)	PART NUMBER

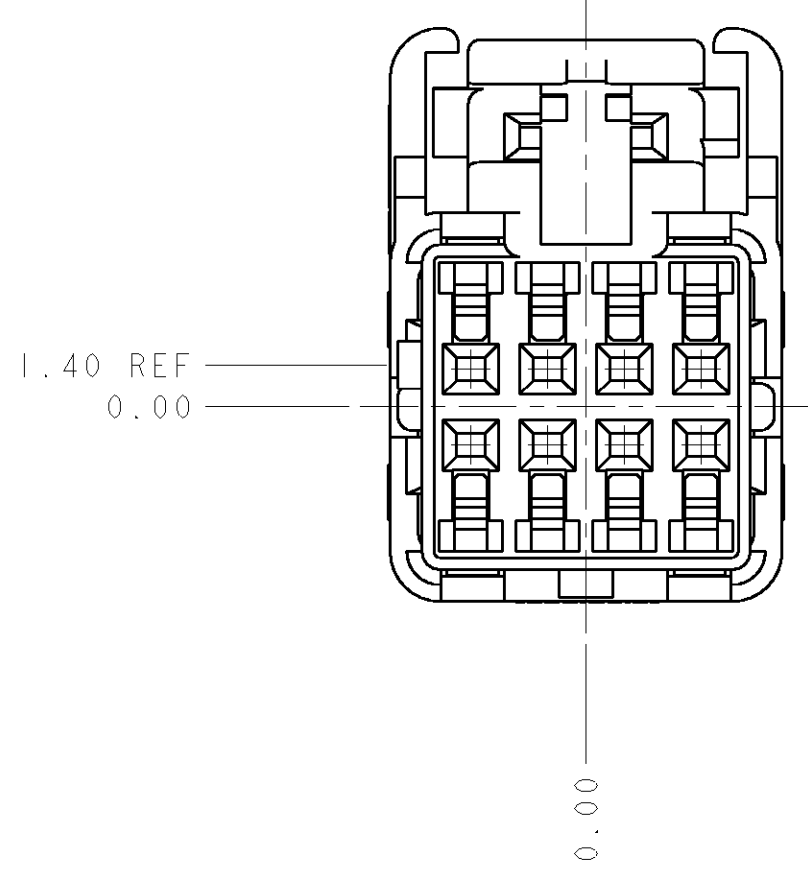
THIS DRAWING IS A CONTROLLED DOCUMENT FOR TYCO ELECTRONICS CORPORATION. IT IS SUBJECT TO CHANGE AND THE CONTROLLING ENGINEERING ORGANIZATION SHOULD BE CONTACTED FOR THE LATEST REVISION.		DWN: K. FOLTZ 26AUG99 CHK: A. EBRAHEEM 30JAN01 APVD: G. RALEN 30JAN01	Tyco Electronics Harrisburg, PA 17105-3608
DIMENSIONS: mm TOLERANCES UNLESS OTHERWISE SPECIFIED: 0 PLC ± 1 PLC ±0.4 2 PLC ±0.30 3 PLC ± 4 PLC ± ANGLES ± FINISH -	PRODUCT SPEC: SAE/USCAR-2 8/97 APPLICATION SPEC: - WEIGHT: -	<b>AMP</b> Tyco Electronics NAME: PLUG ASSEMBLY, UNSEALED, 8 POSITION 2X4, 0.64mm CONNECTOR SIZE: A2 CAGE CODE: 00779 DRAWING NO: 638392 RESTRICTED TO: -	
MATERIAL: PBT (3)		CUSTOMER DRAWING	SCALE: 4:1 SHEET 1 OF 2 REV A

THIS DRAWING IS UNPUBLISHED. RELEASED FOR PUBLICATION  
 © COPYRIGHT 20 BY TYCO ELECTRONICS CORPORATION. ALL RIGHTS RESERVED.

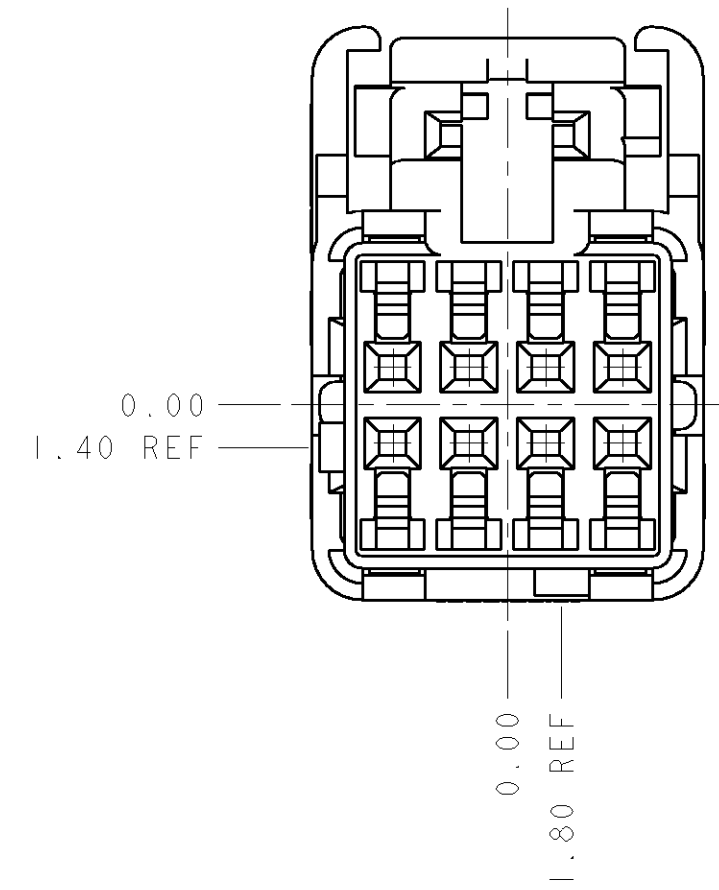
LOC	DIST	REVISIONS					
		P	LTR	DESCRIPTION	DATE	DWN	APVD
FX	00	-	-	SEE SHEET 1	-	-	-



KEY CODE "A"  
 (APPLIES TO -1 AND -4 ONLY)  
 SCALE 4:1



KEY CODE "B"  
 (APPLIES TO -2 AND -5 ONLY)  
 SCALE 4:1



KEY CODE "C"  
 (APPLIES TO -3 AND -6 ONLY)  
 SCALE 4:1

<small>THIS DRAWING IS A CONTROLLED DOCUMENT FOR TYCO ELECTRONICS CORPORATION. IT IS SUBJECT TO CHANGE AND THE CONTROLLING ENGINEERING ORGANIZATION SHOULD BE CONTACTED FOR THE LATEST REVISION.</small>		DWN	K. FOLTZ 26AUG99	
DIMENSIONS: mm		CHK	-	
		APVD	-	
TOLERANCES UNLESS OTHERWISE SPECIFIED: 0 PLC ± 1 PLC ±0.4 2 PLC ±0.30 3 PLC ± 4 PLC ± ANGLES ± FINISH -		PRODUCT SPEC	-	
MATERIAL		APPLICATION SPEC	-	
		WEIGHT	-	
		CUSTOMER DRAWING	-	
		NAME	AMP Tyco Electronics Harrisburg, PA 17105-3608	
		PLUG ASSEMBLY, UNSEALED, 8 POSITION 2X4, 0.64mm CONNECTOR		
SIZE	CAGE CODE	DRAWING NO	RESTRICTED TO	
A2	00779	638392	-	
SCALE 4:1		SHEET 2 OF 2	REV A	

单击下面可查看定价，库存，交付和生命周期等信息

[>>TE Connectivity\(泰科\)](#)