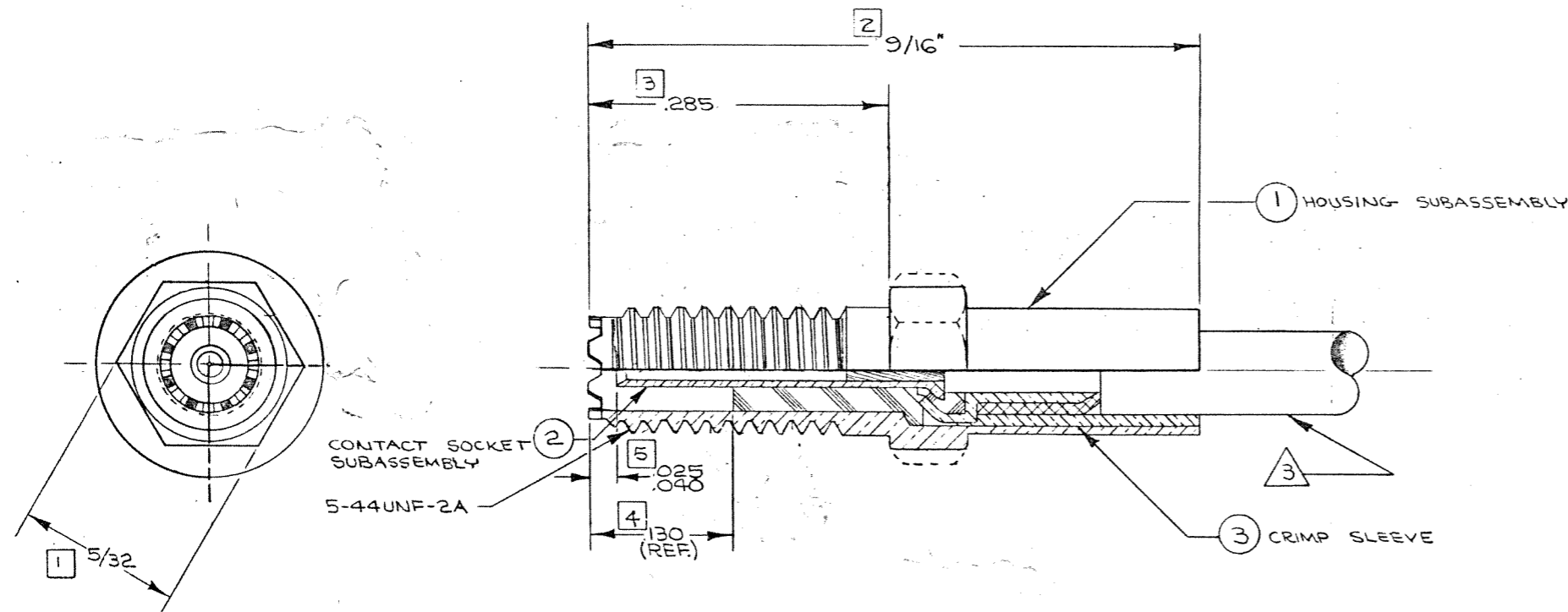


NOTES: UNLESS OTHERWISE SPECIFIED

1. INTERPRET DRAWING IN ACCORDANCE WITH APPLICABLE CABLE STANDARDS PRESCRIBED BY MIL-D-1000 AND MICRODOT PROCEDURE BULLETIN 34-3.
2. ALL METALLIC PARTS ARE GOLD PLATED PER MIL-G-45204 TYPE II, CLASS I.
3. CABLE ACCEPTANCE DIM'S - CENTER COND. .012, DIELECTRIC .034, SHIELD .054, JACKET .075.
4. MATES WITH ALL LEPRO/CON 142 LOCKING INTERFACE PLUGS.
5. SEE RF-ASHB-12 FOR CABLE ASSEMBLY INSTRUCTIONS.
6. FOR COMPONENT PARTS, SEE PARTS LIST.

REVISIONS			
SYM	DESCRIPTION	DATE	APPROVED
A	RELEASED FOR PRODUCTION (NDR 10,333)	8-15-69	[Signature]
B	REV. LETTER UP-DATED ECO 16329	4/18/73	[Signature]
C	REV. LET. UPDATE ECO 20651	2/23/76	[Signature]
D	UPDATE REV. LETTER. (40359)	7/20/80	[Signature]

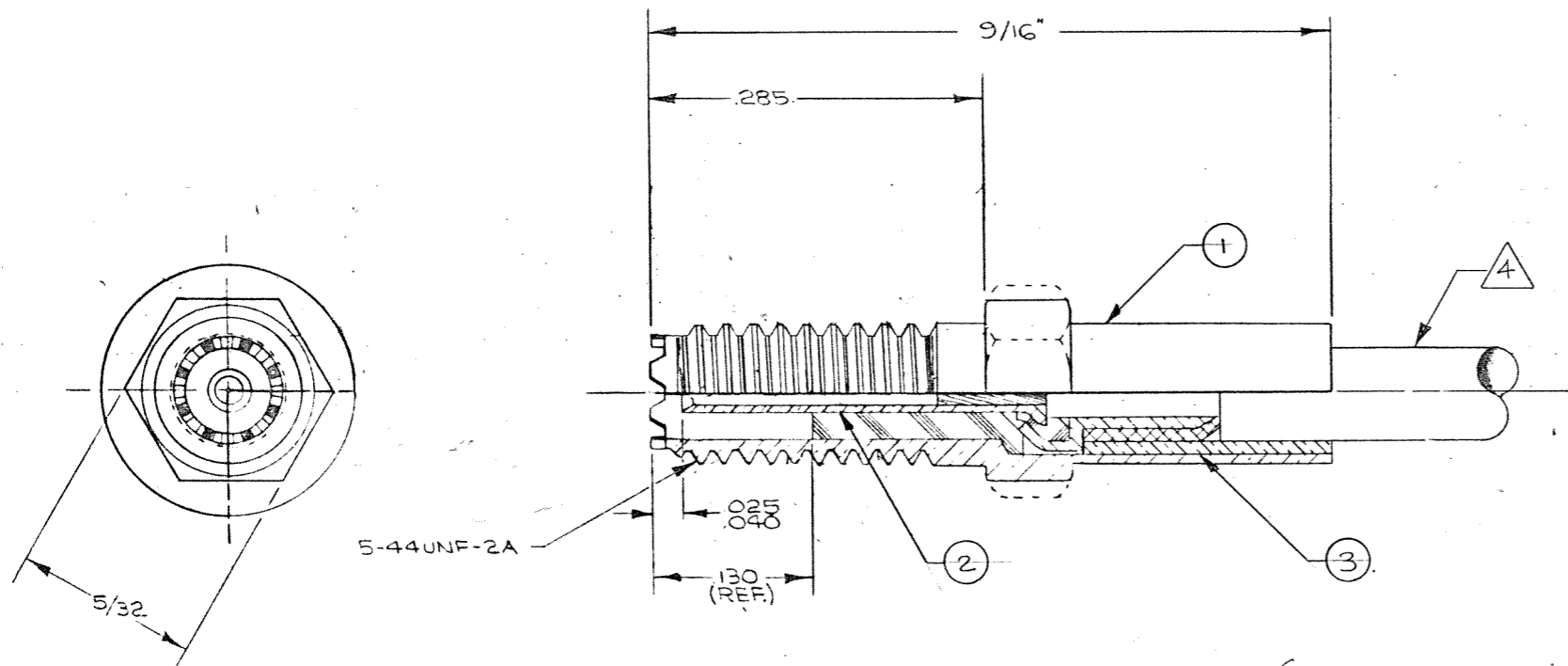


Tyco Dwg 1-1532006-7  
Micro P/N 141-0017-0001

QTY. REQD.	PART NO.	NOMENCLATURE OR DESCRIPTION	MATERIAL & SPECIFICATION	ITEM NO.
LIST OF MATERIAL OR PARTS LIST				
UNLESS OTHERWISE SPEC.		DRAWN C. MEGEE 8/15/69	<b>MICRODOT INC.</b> 220 PASADENA AVE. SO. PASADENA, CALIF. STR. JACK ASSEMBLY WITH INTERLOCKING INTERFACE PRDD CODE 946	
DIMENSIONS ARE IN INCHES		CHECK E. Mungara 8/15/69		
TOLERANCES		PR. ENG. [Signature] 8/15/69		
DECIMALS FRACTIONS		CHK. ENG.		
.XX ± .010 ± 1/64		MATERIAL	CODE IDENT SIZE	
.XXX ± .010 ± 1/64		SURFACE TREATMENT SEE NOTE 2	98278 C 141-0017-0001	
.XXXX ± .010 ± 1/64			SCALE WEIGHT SHEET 1 of 1	
ANGLES ± 5°		DO NOT SCALE THIS DWG.		
SURFACE ROUGHNESS				
NEXT ASSY. USED ON NEXT ASSY. TOP ASSY.				
ION QUANTITY REQD.				

LAST NUMBER USED 5			

REVISIONS			
SYM	DESCRIPTION	DATE	APPROVED
A	RELEASED FOR PRODUCTION (NDR10638) EM	10/2/69	[Signature]
B	REV. LETTER UP-DATED ECO 16329	11/18/69	[Signature]
C	REV. LET. UPDATE ECO 20651 4416 2-23-76	2/23/76	[Signature]
D	UPDATE REV. LETTER (40359)	7/20/70	[Signature]



1-532006-7

NOTES: UNLESS OTHERWISE SPECIFIED  
 1. THIS JACK ASSEMBLY MATES WITH ALL LEPRACON 142 INTERLOCKING INTERFACE PLUGS.  
 2. SEE RF-ASMB-12 FOR CABLE ASSEMBLY INSTRUCTIONS.  
 3. ALL METALLIC PARTS ARE GOLD PLATED PER MIL-G-45204 TYPE II, CLASS I.  
 4. CABLE ACCEPTANCE DIMENSIONS:  
 CENTER CONDUCTOR .012.  
 DIELECTRIC .034.  
 SHIELD .054.  
 JACKET .075.

QTY. REQD.	PART NO.	NOMENCLATURE OR DESCRIPTION	MATERIAL & SPECIFICATION	ITEM NO.
1	014-0004-0002	CRIMP SLEEVE	LEADED COPPER FULL HARD OR O.F.H.C. 121 COPPER	3
1	014-1009-0001	SOCKET CONTACT SUBASSY		2
1	014-1085-0001	HOUSING SUBASSY, STR. JACK		1

LIST OF MATERIAL OR PARTS LIST				
UNLESS OTHERWISE SPEC.	DRAWN	E. NINGURA	10-8-69	<b>MICRODOT INC.</b> 220 PASADENA AVE. SO. PASADENA, CALIF. STR. JACK ASSEMBLY WITH INTERLOCKING INTERFACE LEPRACON PROD CODE 946
DIMENSIONS ARE IN INCHES	CHECK			
TOLERANCES	PR. ENG.	[Signature]	10/13/69	
DECIMALS	CHF. ENG.			
XX ± XXX ± .010 XXXX ±	MATERIAL		SEE TAB. BLOCK	
ANGLES ± SURFACE ROUGHNESS	SURFACE TREATMENT		3	
NEXT ASSY.	USED ON	NEXT ASSY.	TOP ASSY.	
ION	QUANTITY REQD.	DO NOT SCALE THIS DWG.		
CODE IDENT		SIZE	98278 C CD 141-0017-0001	
SCALE		WEIGHT	90 SHEET 1 of 1	

单击下面可查看定价，库存，交付和生命周期等信息

[>>TE Connectivity\(泰科\)](#)