

THIS DRAWING IS UNPUBLISHED. RELEASED FOR PUBLICATION  
 © COPYRIGHT BY TYCO ELECTRONICS CORPORATION. ALL INTERNATIONAL RIGHTS RESERVED.

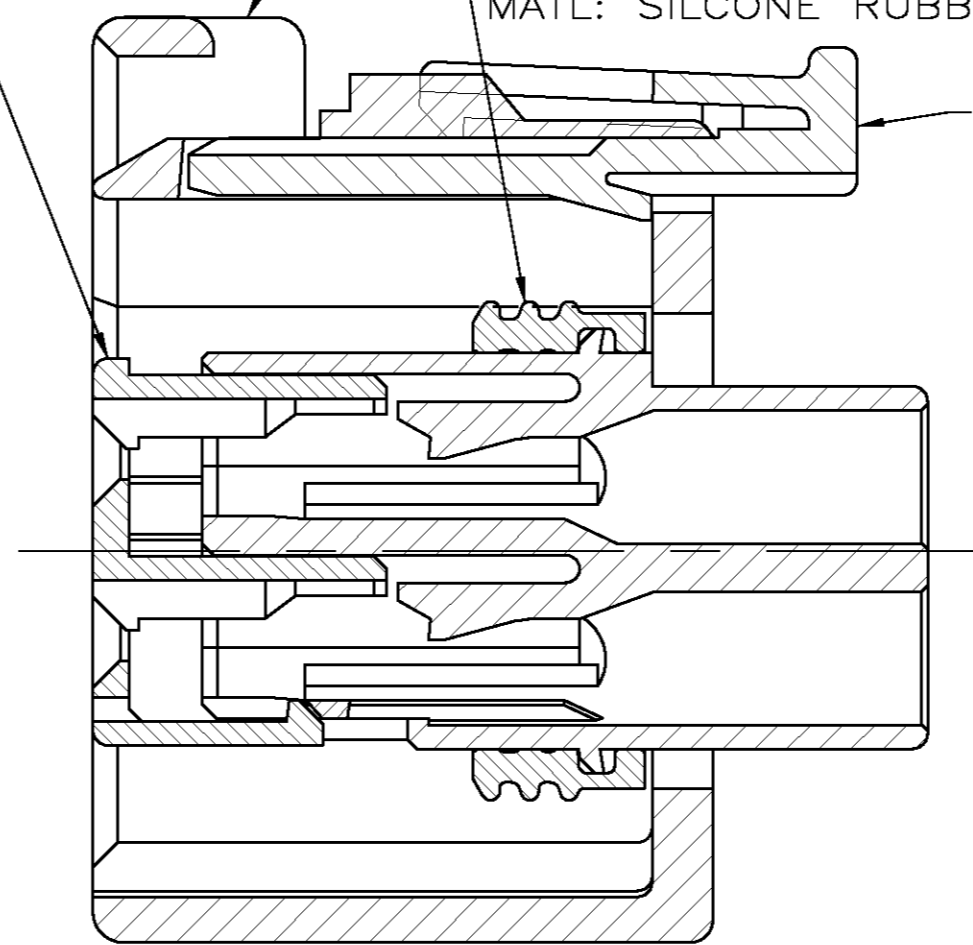
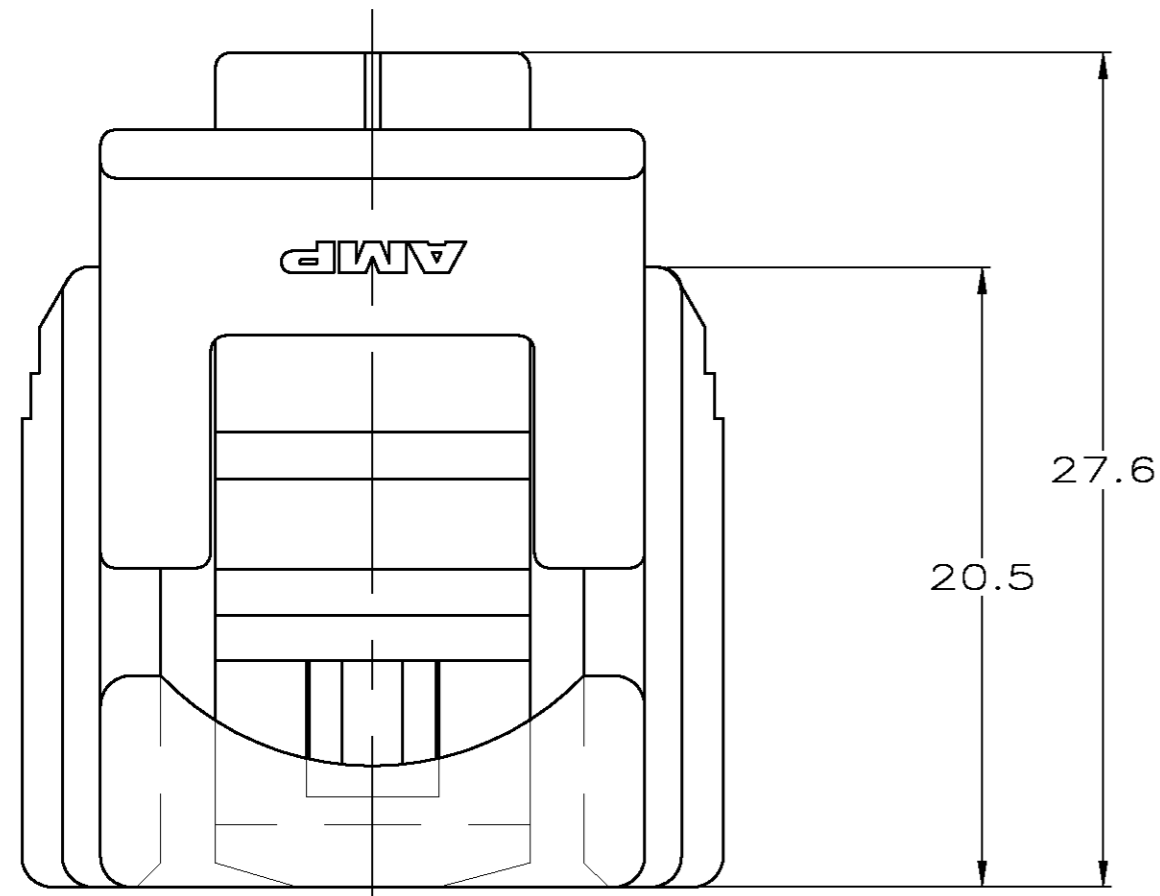
LOC	DIST	REVISIONS			
P	LTR	DESCRIPTION	DATE	DWN	APVD
GE	00				
G		REVISED PER ECR-09-008507	09APR2009	DD	MB

DBL LOCK PLATE  
 MATL: PBT, 15%  
 GLASS FILLED

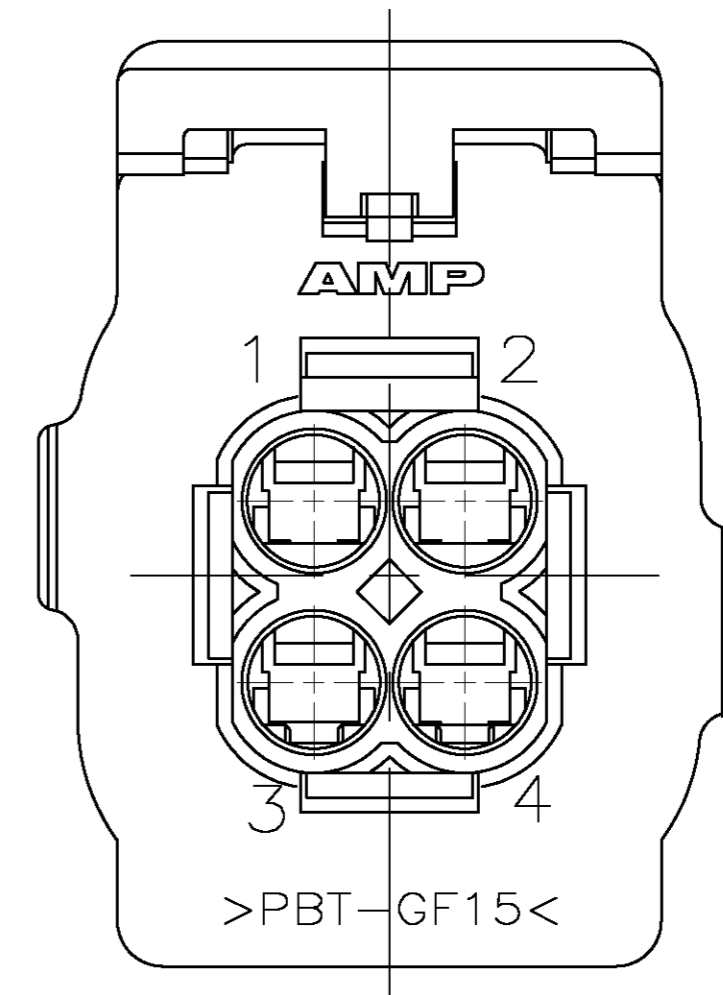
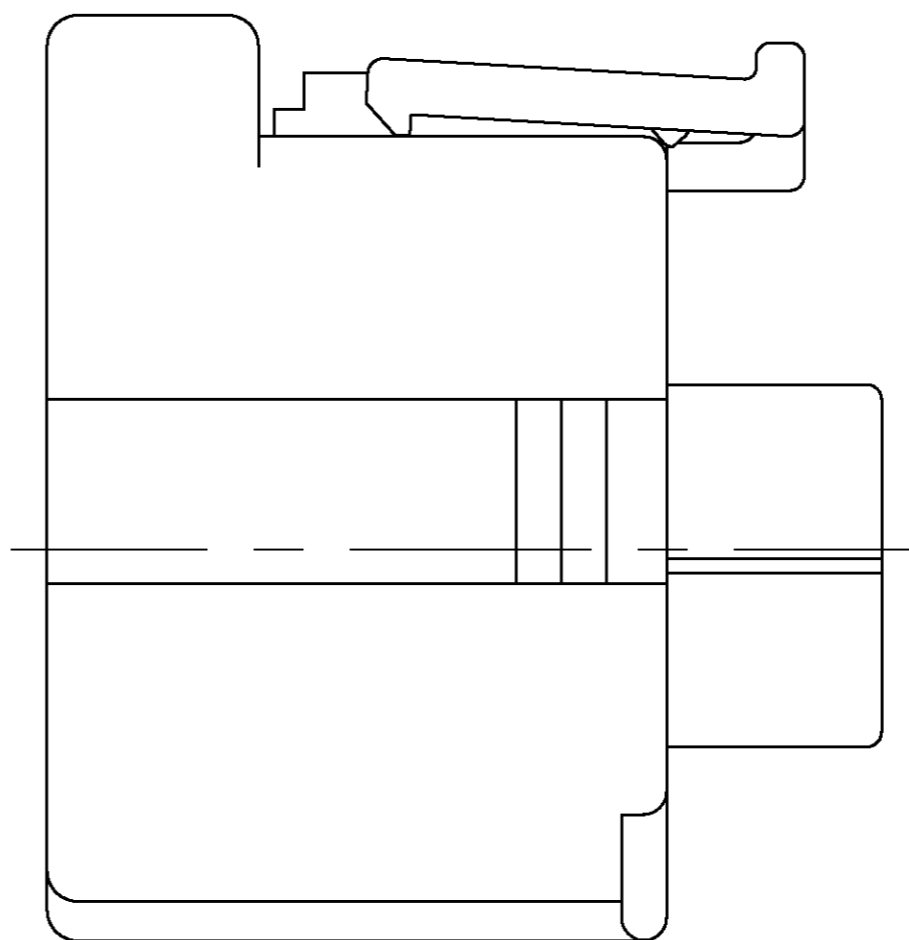
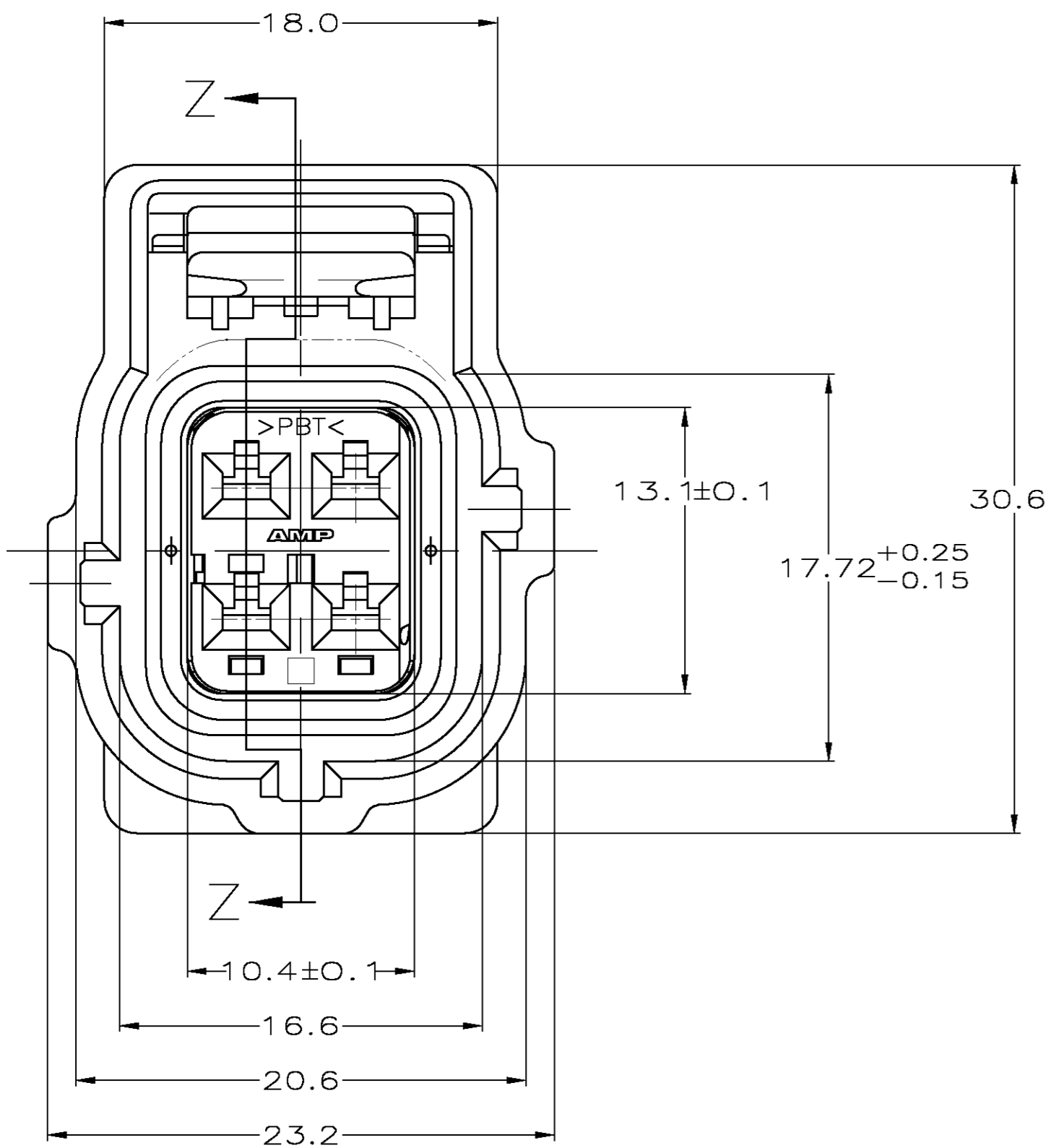
PLUG HOUSING  
 MAT'L: PBT, 15% GLASS FILLED

SEAL RING  
 MATL: SILICONE RUBBER

CPA  
 MATL: PBT



SECTION Z-Z  
 SCALE 4:1



BLACK	184349-1
PLUG COLOR	PART NUMBER

THIS DRAWING IS A CONTROLLED DOCUMENT.		DWN P. YEAGER 02AUG99	Tyco Electronics Corporation Harrisburg, PA 17105-3608	
DIMENSIONS: mm		CHK G. INHOFFER 02AUG99	NAME	
TOLERANCES UNLESS OTHERWISE SPECIFIED:		APVD G. INHOFFER 02AUG99	PRODUCT SPEC	
0 PLC ± -	1 PLC ± 0.3	APPLICATION SPEC		
2 PLC ± 0.15	3 PLC ± -	WEIGHT		
4 PLC ± -	ANGLES ± -	SIZE CAGE CODE DRAWING NO RESTRICTED TO		
MATERIAL	FINISH	A2 00779 C=184349		-
CUSTOMER DRAWING		SCALE 4:1 SHEET 1 of 1		REV G

单击下面可查看定价，库存，交付和生命周期等信息

[>>TE Connectivity\(泰科\)](#)