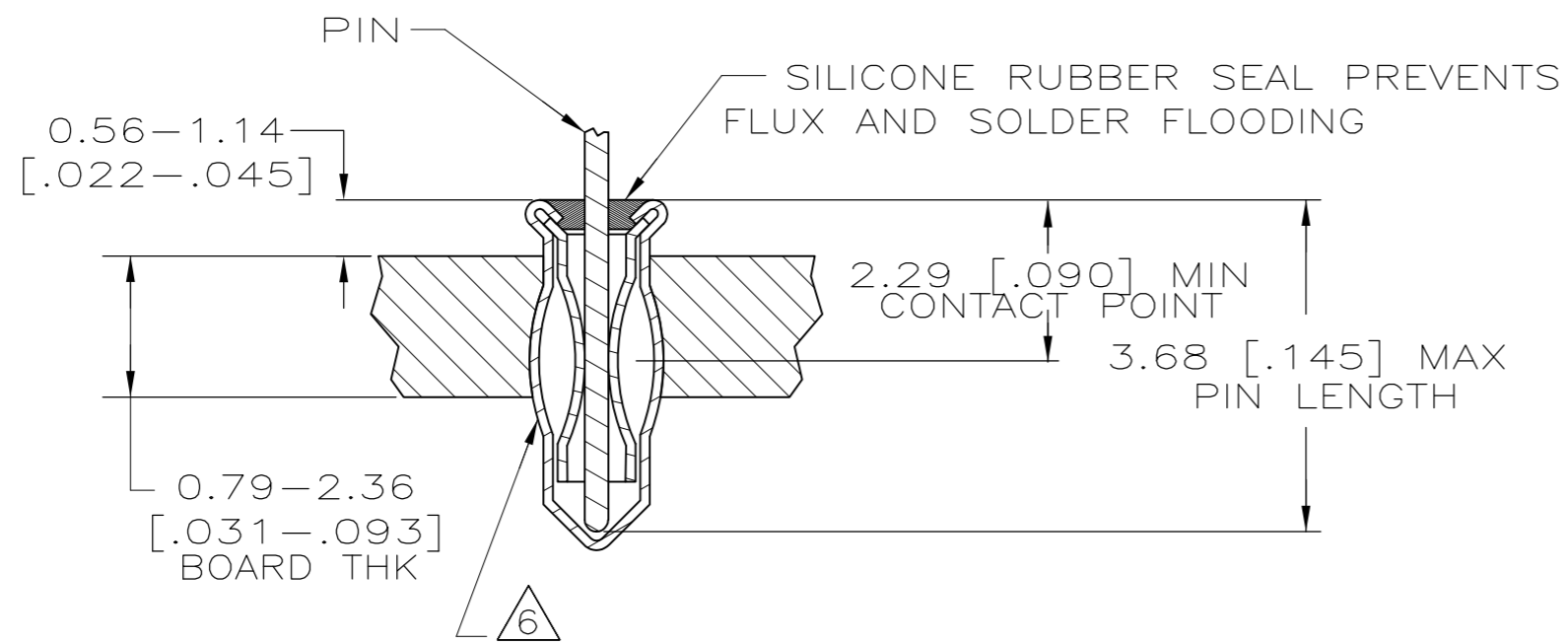
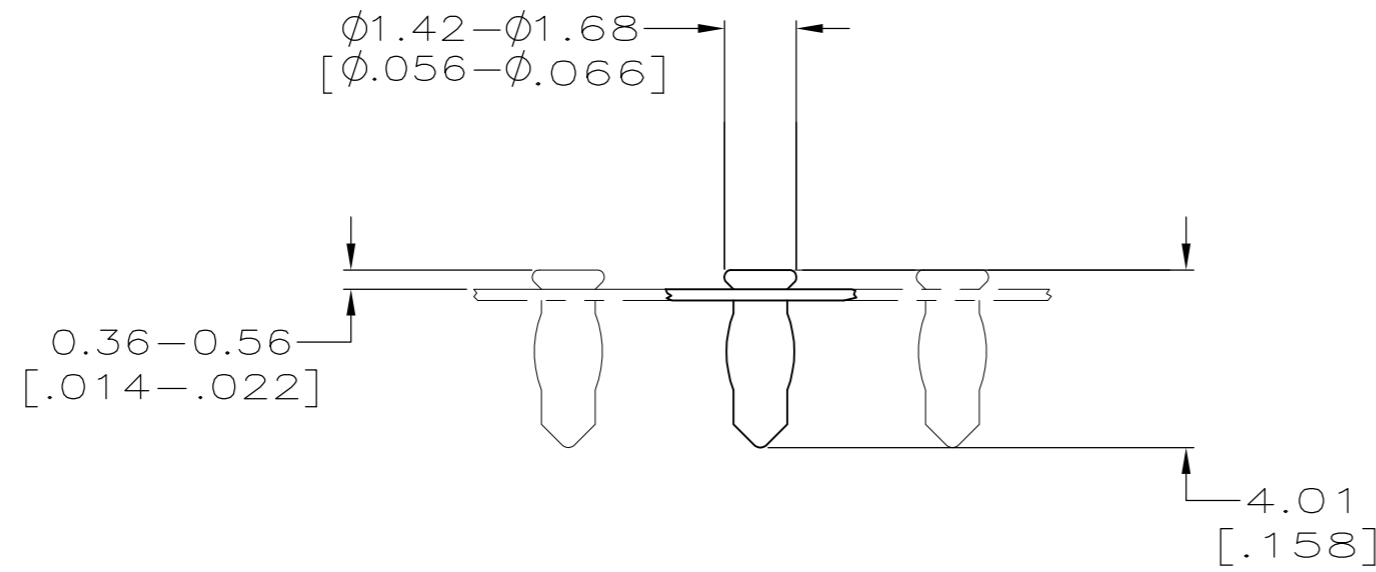
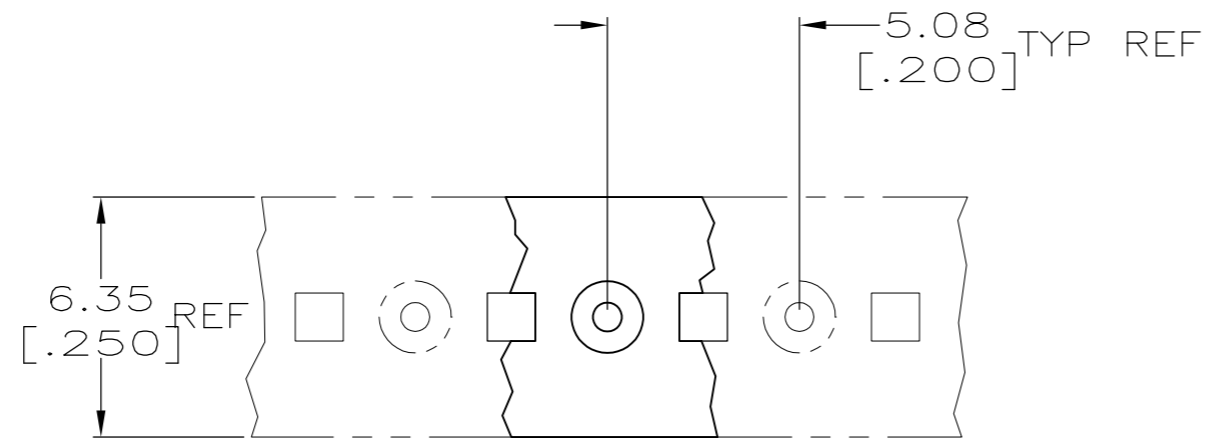


THIS DRAWING IS UNPUBLISHED. RELEASED FOR PUBLICATION
 © COPYRIGHT BY TYCO ELECTRONICS CORPORATION. ALL RIGHTS RESERVED.

LOC	DIST	REVISIONS					
		P	LTR	DESCRIPTION	DATE	DWN	APVD
AG	53	0		RELEASED	26JAN06	JDP	JGH
		01		REV PER ECO-09-024606	03NOV09	KK	AEG



- 1 MATERIAL:
EYELET - COPPER PER ASTM B 152
SPRING - BERYLLIUM COPPER PER ASTM B 194
SEALANT - SILICONE RUBBER
- 2 TIN PLATE PER ASTM B 545, [.000100] MIN THK.
- 3 GOLD PLATE PER ASTM B 488, 0.00076 [.000030] MIN THK ON CONTACT AREA.
- 4 PACKAGED 50,000 PER REEL
- 5 TO INSURE 1/2 OZ MIN RETENTION DO NOT EXCEED 0.10 [.004] DIFFERENCE IN PIN DIA WHEN CHANGING TO A SMALLER DIA PIN
- 6 PRODUCT IS OVALIZED FOR RETENTION IN THE P.C. BOARD. THE RECOMMENDED HOLE DIAMETER IS $\phi 1.07$ [$\phi 0.42$] MINIMUM, +0.08 [.003] MAX. PRIOR TO SOLDERING.
- 7 PACKAGED 10,000 PER REEL
- 8 OBSOLETE PARTS: OBSOLETE CIS STREAMLINING PER D.RENAUD/D.SINISI

8 OBSOLETE	2.29-3.68 [.090-.145]	$\phi 0.30-\phi 0.46$ [$\phi 0.12-\phi 0.18$]	GOLD 3	TIN 2	7-1-5645947-5
	2.29-3.68 [.090-.145]	$\phi 0.38-\phi 0.53$ [$\phi 0.15-\phi 0.21$]	GOLD 3	TIN 2	7-1-5645947-2
	2.29-3.68 [.090-.145]	$\phi 0.38-\phi 0.53$ [$\phi 0.15-\phi 0.21$]	GOLD 3	TIN 2	4-5645947-2
	2.29-3.68 [.090-.145]	$\phi 0.38-\phi 0.53$ [$\phi 0.15-\phi 0.21$]	TIN 2	TIN 2	4-5645947-1
	LENGTH	DIA	SPRING	EYELET	PART NO

DIMENSIONS:		TOLERANCES UNLESS OTHERWISE SPECIFIED:		DWN		Tyco Electronics			
mm	[INCHES]	0 PLC	± -	J. POLIGNONE	26JAN06	Tyco Electronics Corporation AMP Incorporated Harrisburg, PA 17105-3608			
		1 PLC	± -	CHK	26JAN06	NAME MINIATURE SPRING SOCKET ASSY SERIES 1 SHORT WITH SEALANT			
		2 PLC	± -	J. HAVENER					
		3 PLC	± 0.20[.008]	APVD	26JAN06			PRODUCT SPEC	108-14008
		4 PLC	± -	J. HAVENER				APPLICATION SPEC	114-26004
MATERIAL		FINISH		WEIGHT		SIZE	CAGE CODE	DRAWING NO	RESTRICTED TO
1		SEE TABLE		-		A2	00779	C=5645947	-
CUSTOMER DRAWING						SCALE	SHEET	REV	
						10:1	1 of 1	01	

5645947

单击下面可查看定价，库存，交付和生命周期等信息

[>>TE Connectivity\(泰科\)](#)