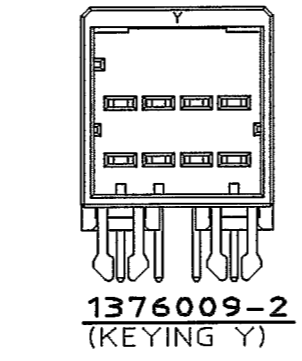
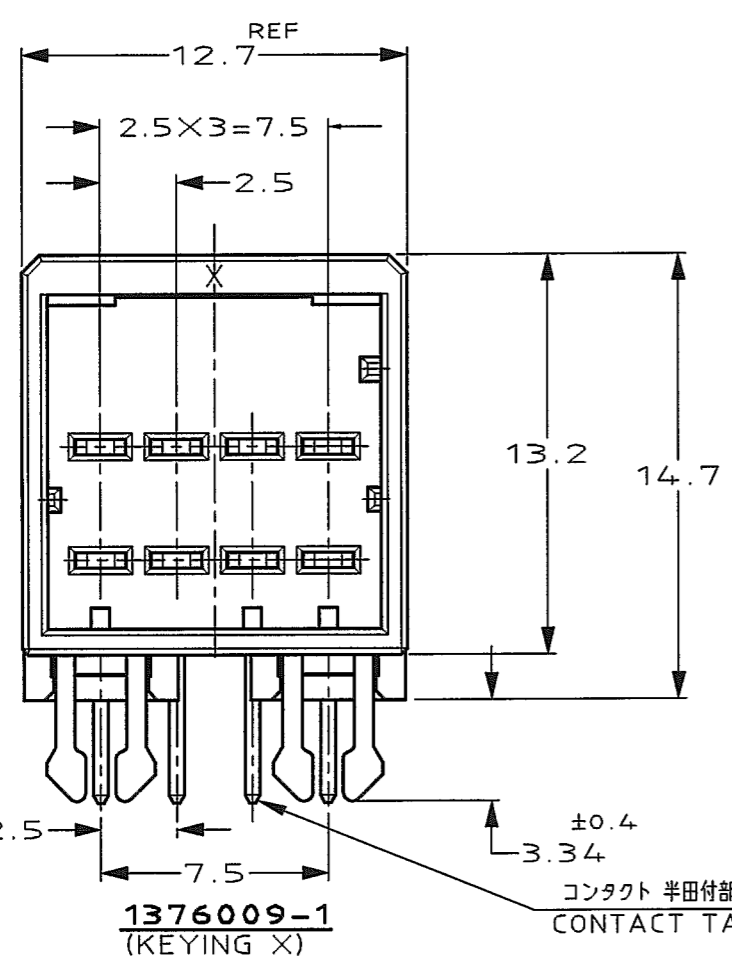
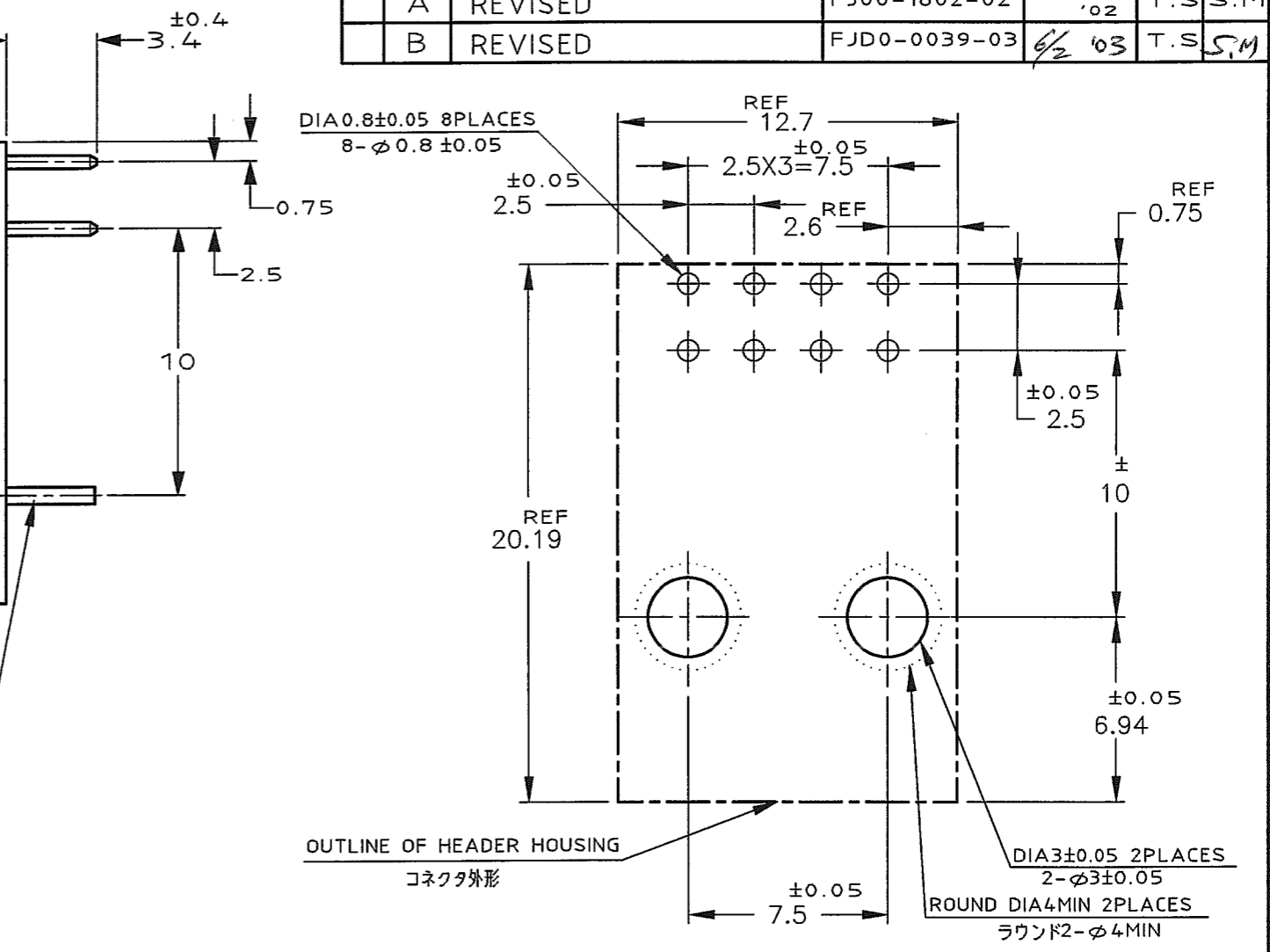
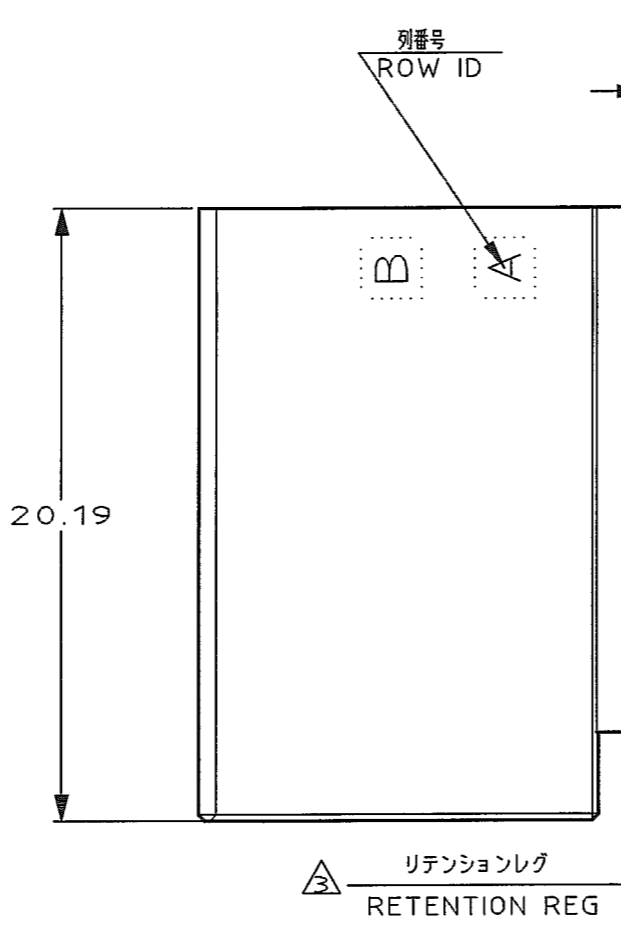
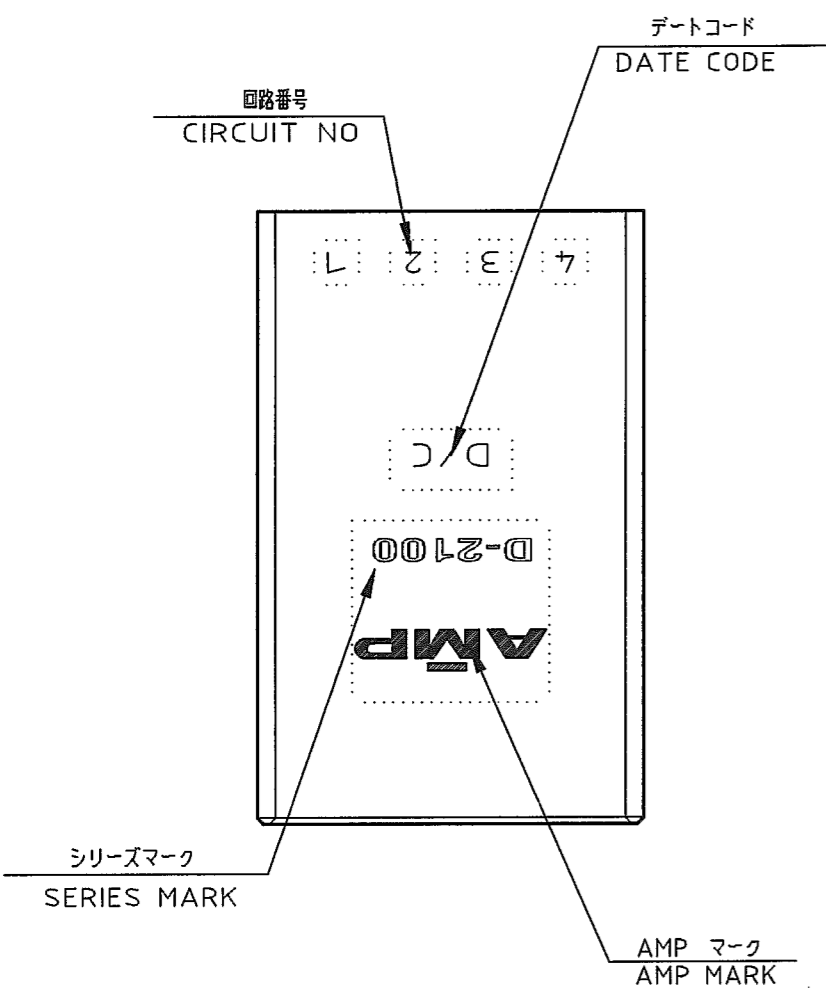


LOC		DIST		REVISIONS				
J				変更				
P	LTR	DESCRIPTION		ECN	DATE	DWN	APVD	
	O	RELEASED		FJ00-1755-99	28.FEB.00	K.I.H		
	A	REVISED		FJ00-1802-02	5.SEP.02	T.S	S.M	
	B	REVISED		FJD0-0039-03	6/2 '03	T.S	S.M	



推奨基板取付け寸法 (公差: ±0.05)
 PC 基板厚: 1.6±0.3
 (コネクタ搭載面)

RECOMENDED PC BOARD HOLE PATTERN (TOL: ±0.05)
 PC BOARD THICKNESS: 1.6±0.3
 (CONNECTOR MOUNT SIDE)

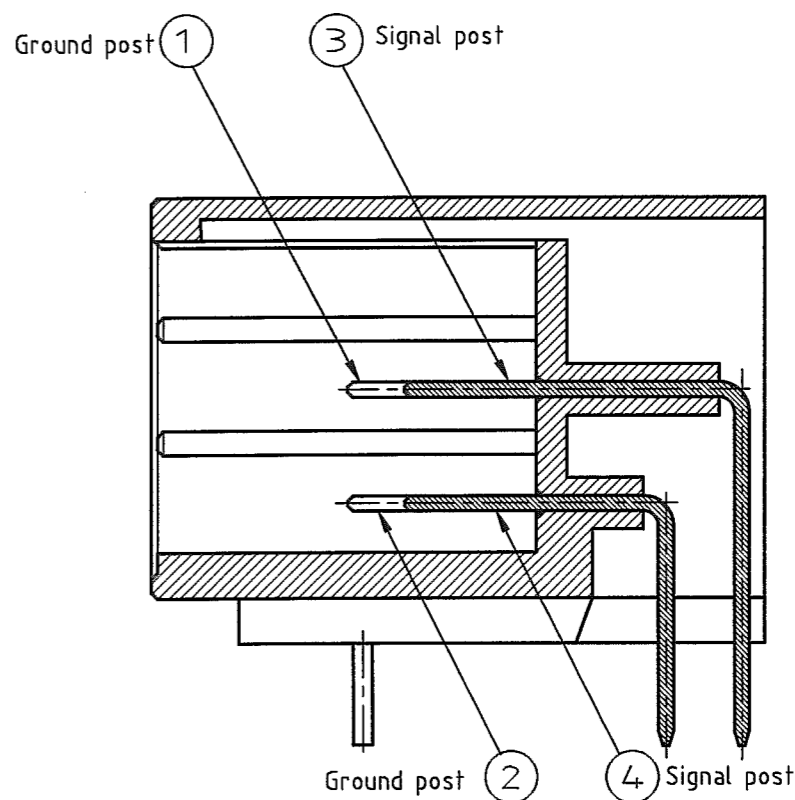
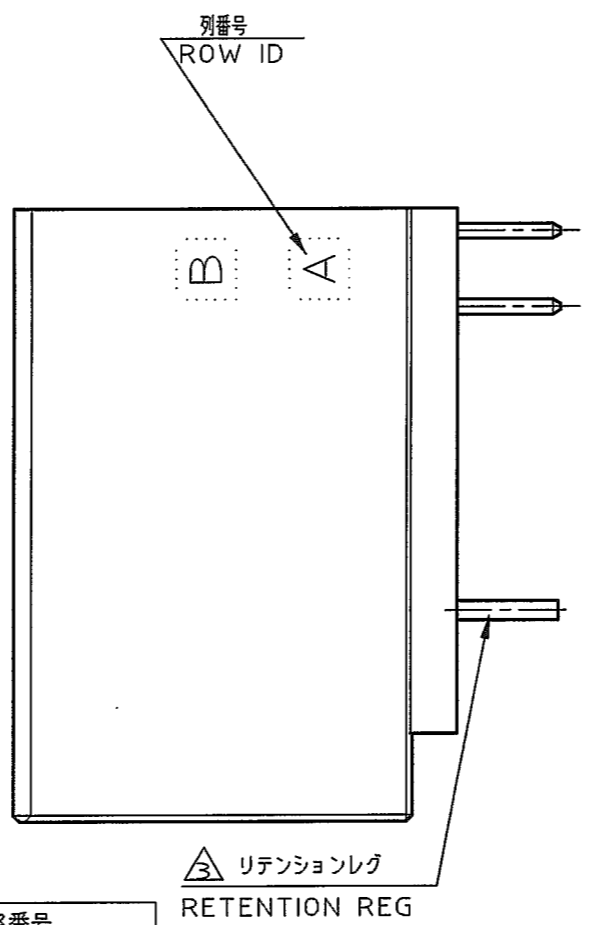
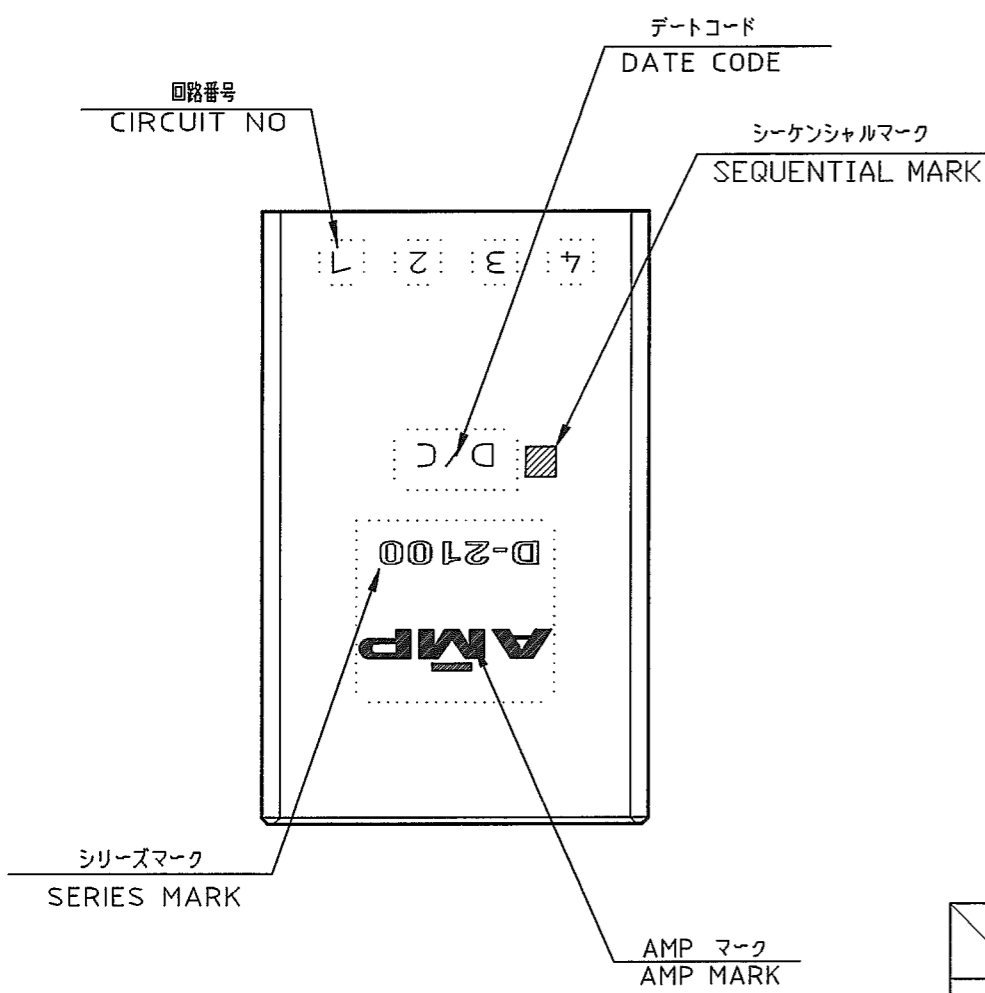
- NOTES
- MATERIAL: HOUSING: GLASS FILLED THERMO PLASTIC, POLYESTER (94V-0), COLOR: BLACK
 TAB CONTACT: COPPER ALLOY
 RETENTION LEG: BRASS
 - FINISH (CONTACT AREA): 0.38μm MIN GOLD PLATING OVER Ni PLATING
 - FINISH (RETENTION LEG): TIN PLATED (CONTACT TAIL) OVER NICKEL

- 注記
- 材料: ハウジング: ガラス入り熱可塑性ポリエステル樹脂 (94V-0), 色: 黒
 タブ コンタクト: 銅合金
 リテンション レグ: 黄銅
 - めっき: コンタクト: 全面Ni下地
 接触部: 0.38μm MIN金めっき
 - めっき: リテンションレグとコンタクト半田付部
 : ニッケル下地の上にスズめっき

THIS DRAWING IS A CONTROLLED DOCUMENT FOR AMP INCORPORATED. IT IS SUBJECT TO CHANGE AND THE CONTROLLING ENGINEERING ORGANIZATION SHOULD BE CONTACTED FOR THE LATEST REVISION.		CHK K.IKEDA 24/FEB/'00	Tyco Electronics Tyco Electronics AMP K.K. Kawasaki, Japan	
DIMENSIONS: 単位 寸 mm	TOLERANCES UNLESS OTHERWISE SPECIFIED -公差 10% : ±0.3 30% : ±0.35 100% : ±0.4 ANGLE : ±3°	APVD Y.KATO 28/FEB/'00	NAME 2列 ヘッダーアセンブリー 8P (水平タイプ) DOUBLE ROW HEADER ASS'Y 8P ("H"TYPE) <DYNAMIC D-2100D>	RESTRICTED TO
MATERIAL 材料 注記参照 SEE NOTES	FINISH 仕上 注記参照 SEE NOTES	PRODUCT SPEC 108-5619 APPLICATION SPEC 114-5258	SIZE A3	CAGE CODE 00779
		WEIGHT	DRAWING NO C=1376009	
		CUSTOMER DRAWING		SCALE 尺 4-1
				SHEET 1 OF 2
				REV B

LOC		DIST		REVISIONS						
J				P	LTR	DESCRIPTION	ECN	DATE	DWN	APVD
						SEE 1 OF 2				

1-1376009-1; AS SHOWN SEQUENTIAL TYPE

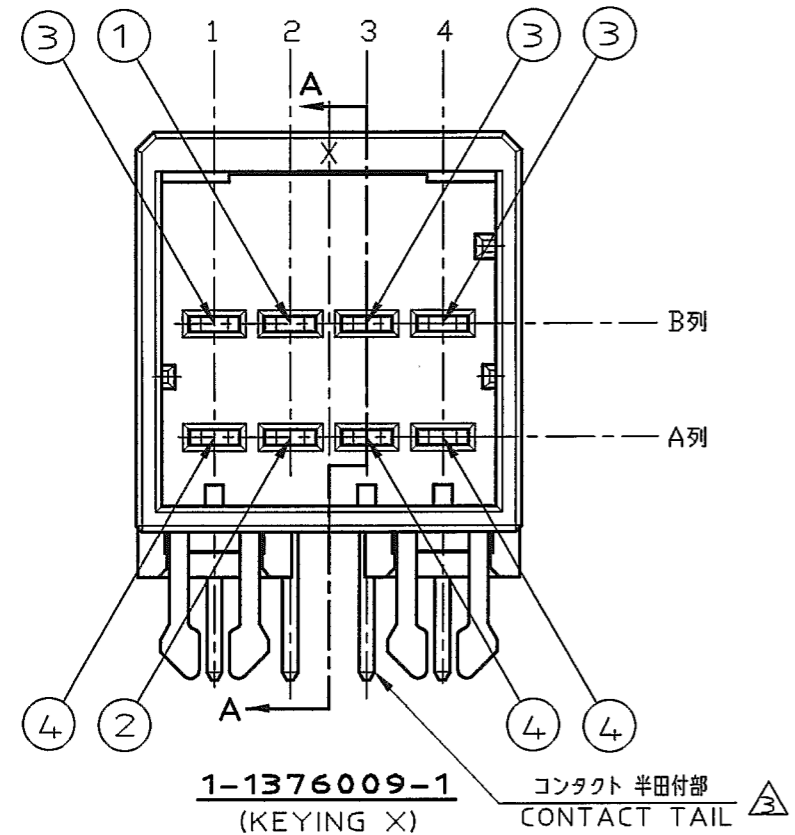


		回路番号			
列番号	B	③ Signal	① Ground	③ Signal	③ Signal
	A	④ Signal	② Ground	④ Signal	④ Signal

POINT OF SEQUENTIAL
1-1376009-1
 (KEYING X)

- NOTES
- MATERIAL: HOUSING: GLASS FILLED THERMO PLASTIC POLYESTER (94V-0), COLOR: BLACK
 TAB CONTACT: COPPER ALLOY
 RETENTION LEG: BRASS
 - FINISH (CONTACT AREA): 0.38μm MIN GOLD PLATING OVER NI PLATING
 - FINISH (RETENTION LEG): TIN PLATED (CONTACT TAIL) OVER NICKEL

- 注記
- 材料: ハウジング: ガラス入り熱可塑性ポリエステル樹脂 (94V-0), 色: 黒
 タブコンタクト: 銅合金
 リテンションレグ: 黄銅
 - めっき: コンタクト: 全面Ni下地
 接触部: 0.38μm MIN金めっき
 - めっき: リテンションレグとコンタクト半田付部
 ニッケル下地の上にスズめっき



THIS DRAWING IS A CONTROLLED DOCUMENT FOR AMP INCORPORATED. IT IS SUBJECT TO CHANGE AND THE CONTROLLING ENGINEERING ORGANIZATION SHOULD BE CONTACTED FOR THE LATEST REVISION.		DWN K.IKEDA 24/FEB/'00	Tyco Electronics AMP K.K. Kawasaki, Japan	
DIMENSIONS: 単位 特 mm		CHK Y.KATO 28/FEB/'00		
TOLERANCES UNLESS OTHERWISE SPECIFIED		APVD I.HASEGAWA 28/FEB/'00	NAME 2列 ヘッダーアセンブリー 8P	
一般公差 10% ±0.3 30% >10 ±0.35 10% >30 ±0.4 ANGLE ±3°		PRODUCT SPEC 108-5619	DOUBLE ROW HEADER ASS'Y 8P ("H"TYPE) <DYNAMIC D-2100D>	
MATERIAL 注記参照 SEE NOTES		APPLICATION SPEC 114-5258	SIZE A3	CAGE CODE 00779
FINISH 注記参照 SEE NOTES		WEIGHT	DRAWING NO C=1376009	
		CUSTOMER DRAWING	RESTRICTED TO	
		SCALE 4-1	SHEET 2 OF 2 REV B	

单击下面可查看定价，库存，交付和生命周期等信息

[>>TE Connectivity\(泰科\)](#)