

4

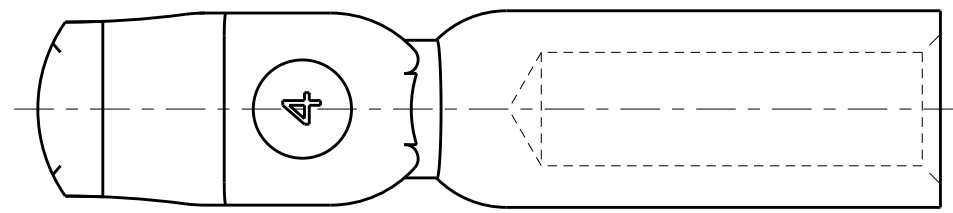
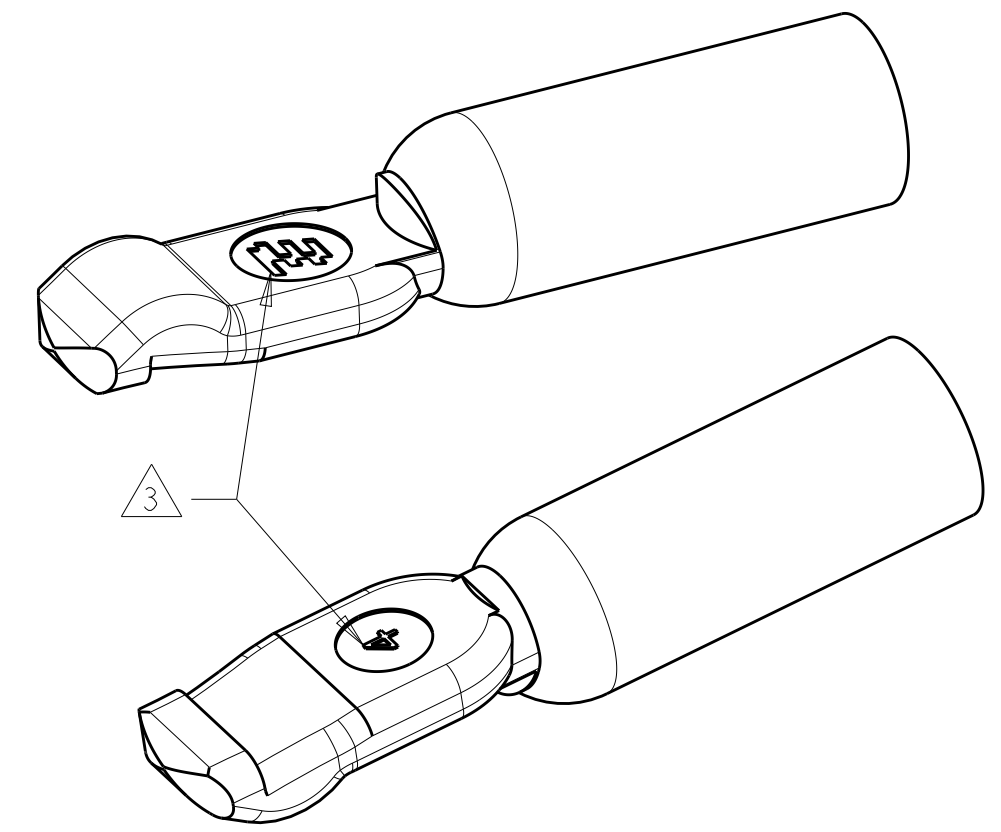
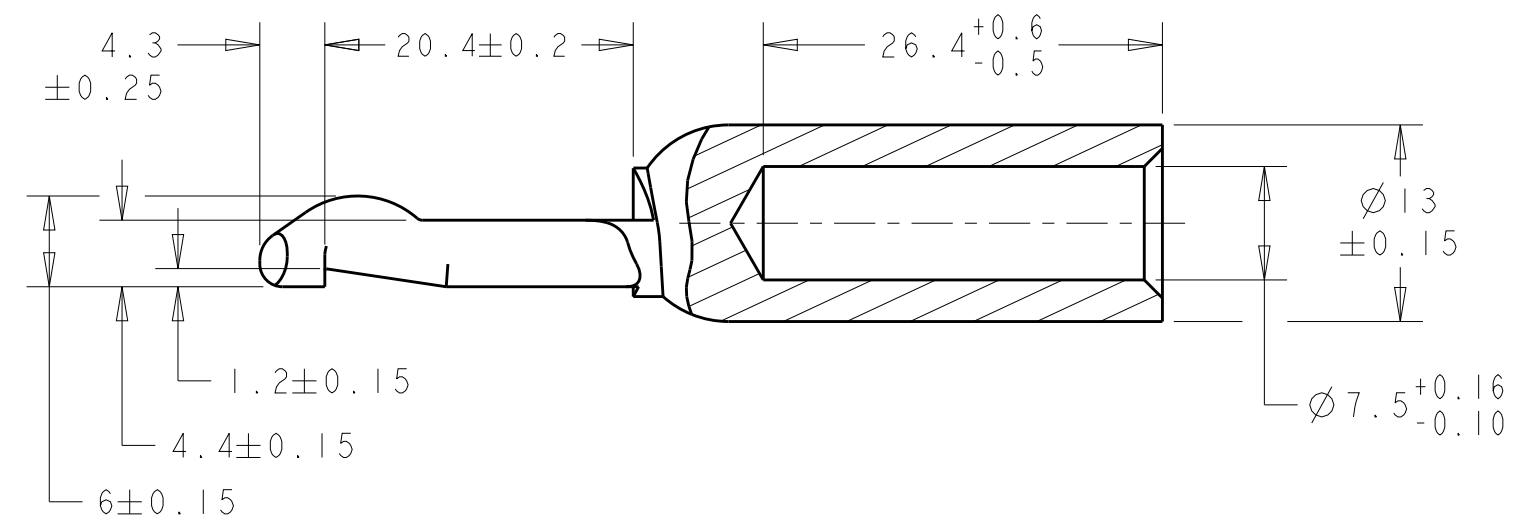
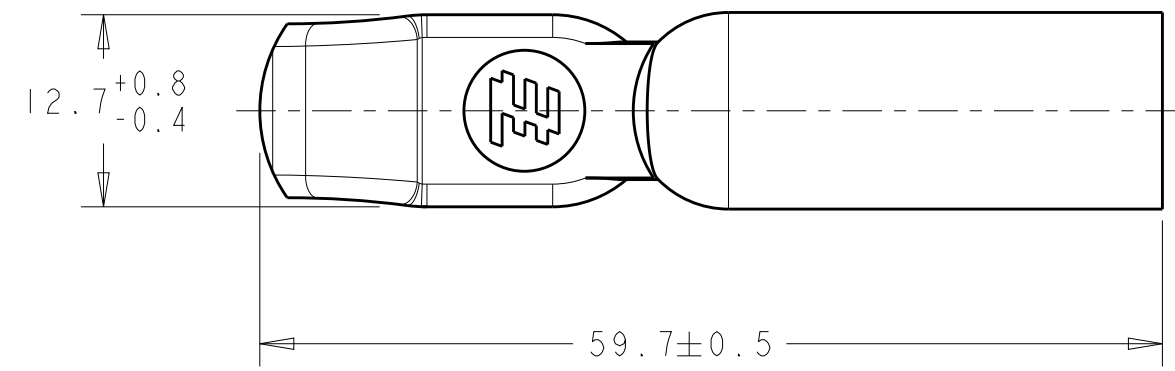
3

2

1

THIS DRAWING IS UNPUBLISHED. RELEASED FOR PUBLICATION 20
 © COPYRIGHT 20 BY TYCO ELECTRONICS CORPORATION. ALL RIGHTS RESERVED.

LOC	DIST	REVISIONS					
CM	0	P	LTR	DESCRIPTION	DATE	DWN	APVD
			A	REV PER ECR 10-006756	01APR10	JR	SM
			B	REV PER ECR-18-000415	19JAN2018	RS	SZ



1. MATERIAL: COPPER ALLOY
2. FINISH: PLATED SILVER
3. STAMP MARK MAY BE ROTATED

METRIC

THIS PRODUCT HAS PASSED VERIFICATION AND AGENCY APPROVALS TESTING AND IS COMPONENT RECOGNIZED PER UL 1977 AND CSA 22.2. TYCO ELECTRONICS PRODUCT QUALIFICATION TESTING IS NOT YET COMPLETED.

AS SHOWN	1604040-1
DESCRIPTION	PART NUMBER

<small>THIS DRAWING IS A CONTROLLED DOCUMENT FOR TYCO ELECTRONICS CORPORATION. IT IS SUBJECT TO CHANGE AND THE CONTROLLING ENGINEERING ORGANIZATION SHOULD BE CONTACTED FOR THE LATEST REVISION.</small>		DWN B.D.Yohn 14MAR2002	tyco Tyco Electronics Electronics Harrisburg, PA 17105-3608	
DIMENSIONS: mm		CHK W.H.Bernhart 14MAR2002	NAME CONTACT, AMP POWER SERIES 175 / 180, 4 AWG	
TOLERANCES UNLESS OTHERWISE SPECIFIED: 0 PLC ±- 1 PLC ±0.3 2 PLC ±0.13 3 PLC ±0.050 4 PLC ±- ANGLES ±-		APVD W.H.Bernhart 14MAR2002	DRAWING NO A3 00779 C-1604040	
MATERIAL - FINISH -		PRODUCT SPEC -	RESTRICTED TO	
		APPLICATION SPEC -	SCALE 2:1 SHEET 1 OF 1 REV B	
		WEIGHT -		
		CUSTOMER DRAWING		

单击下面可查看定价，库存，交付和生命周期等信息

[>>TE Connectivity\(泰科\)](#)