

4

3

2

1

THIS DRAWING IS UNPUBLISHED.

RELEASED FOR PUBLICATION

20

© COPYRIGHT 20 BY -

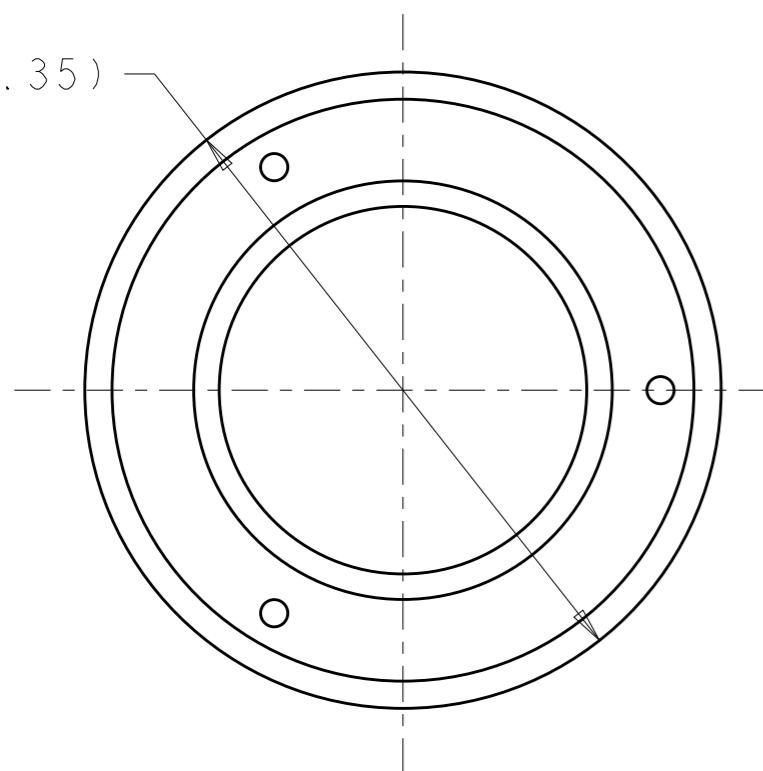
ALL RIGHTS RESERVED.

LOC  
FX DIST  
00

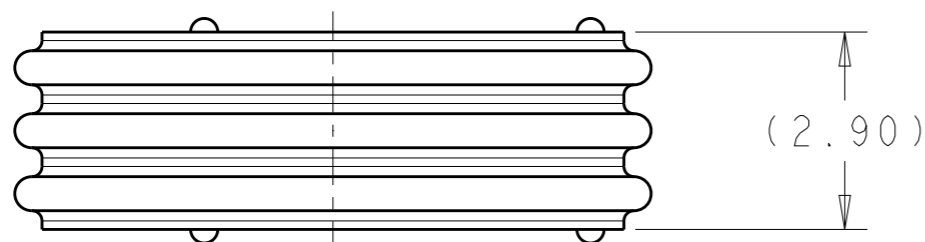
REVISIONS

P	LTR	DESCRIPTION	DATE	DWN	APVD
	C	REVISED PER ECO-12-020436	21NOV2012	DLD	MPT

(Ø 9.35)



1. MATERIAL: RUBBER  
COLOR: RED



(2.90)

RED	1924582-2
COLOR/CODE	PART NUMBER

THIS DRAWING IS A CONTROLLED DOCUMENT.

DIMENSIONS: mm	TOLERANCES UNLESS OTHERWISE SPECIFIED:
	0 PLC ±-
	1 PLC ±0.3
	2 PLC ±0.25
	3 PLC ±-
	4 PLC ±-
	ANGLES ±° 30'
MATERIAL -	FINISH -

DWN	15OCT2009
SCOTT CROSS	
CHK	15OCT2009
SCOTT CROSS	
APVD	15OCT2009
DAVE KLEIN	
PRODUCT SPEC	-
APPLICATION SPEC	-
WEIGHT	-
Customer Drawing	

		TE Connectivity	
		NAME SEAL, JACKSCREW	
SIZE	CAGE CODE	DRAWING NO	RESTRICTED TO
A3	00779	C-1924582	-
SCALE 6:1		SHEET 1 OF 1	REV C

单击下面可查看定价，库存，交付和生命周期等信息

[>>TE Connectivity\(泰科\)](#)