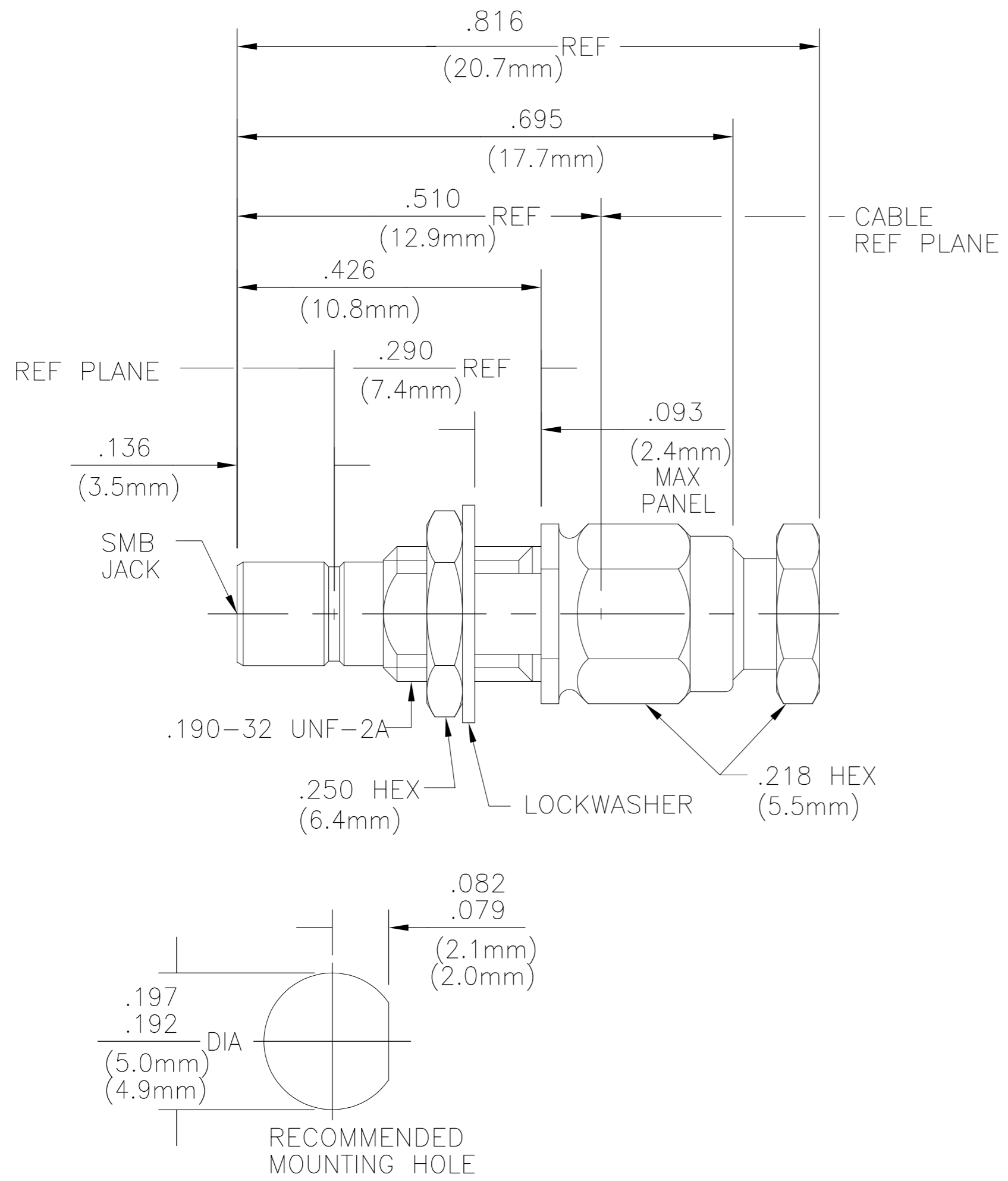


THIS DRAWING IS UNPUBLISHED. RELEASED FOR PUBLICATION
 © COPYRIGHT BY TYCO ELECTRONICS CORPORATION. ALL RIGHTS RESERVED.

LOC		DIST		REVISIONS					
AJ		00		P	LTR	DESCRIPTION	DATE	DWN	APVD
				C		REV PER ECO 07-027471	1/16/2008	DW	JL



1060329-1
 PART NUMBER

COMPONENT	MATERIAL	FINISH
HOUSING MOUNTING NUT CLAMP NUT INNER SLEEVE WEDGE WASHER	BRASS PER QQ-B-626 COMP. 360	GOLD PLATE PER MIL-G-45204 OVER COPPER PLATE PER MIL-C-14550
DIELECTRIC	TFE FLUOROCARBON PER ASTM-D-1457, MIL-P-19468, AND FED. SPEC L-P-403	N/A
CENTER CONTACT	BERYLLIUM COPPER PER ASTM B196,ALLOY 173 OR BRASS PER ASTM-B-16	GOLD PLATE PER MIL-G-45204 OVER COPPER PLATE PER MIL-C-14550
LOCKWASHER	PHOSPHOR BRONZE PER QQ-B-750, GRADE B2 OR TIN BRASS PER ASTM-B-591	GOLD PLATE PER MIL-G-45204 OVER COPPER PLATE PER MIL-C-14550

CABLE ENTRY DIAMETER MINIMUM	
CONTACT	.023
INNER SLEEVE	.062
CLAMP NUT	.112

NOTES:
 1. DESIGNED FOR USE WITH RG174/U,
 RG188/U AND RG316/U CABLE
 2. CAPTURED CENTER CONTACT

THIS DRAWING IS A CONTROLLED DOCUMENT.

DWN	RKS	12-30-68
CHK	CW	1/15/90
APVD	PH	1/15/90

Tyco Electronics Corporation
 Harrisburg, PA 17105-3608

NAME: SMB BULKHEAD FEEDTHRU CABLE JACK-CLAMP ATTACHMENT

SIZE	CAGE CODE	DRAWING NO	RESTRICTED TO
A2	00779	C=1060329	-

CUSTOMER DRAWING SCALE: 5:1 SHEET: 1 of 1 REV: C

单击下面可查看定价，库存，交付和生命周期等信息

[>>TE Connectivity\(泰科\)](#)