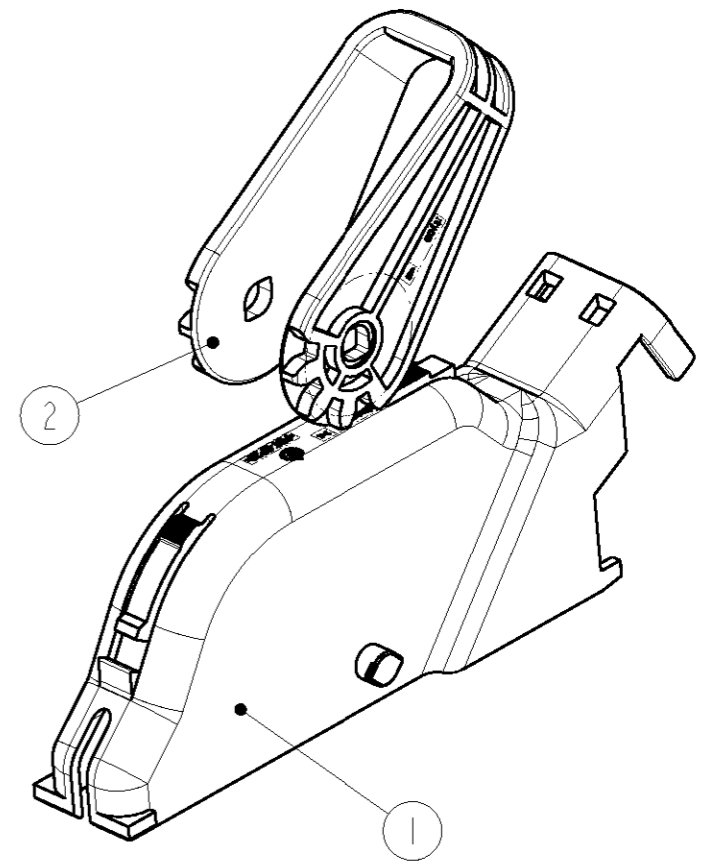
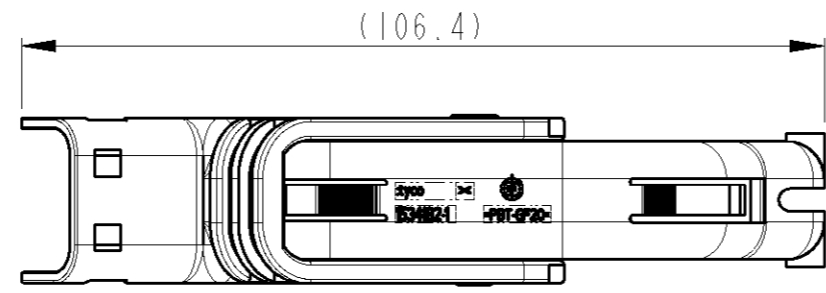
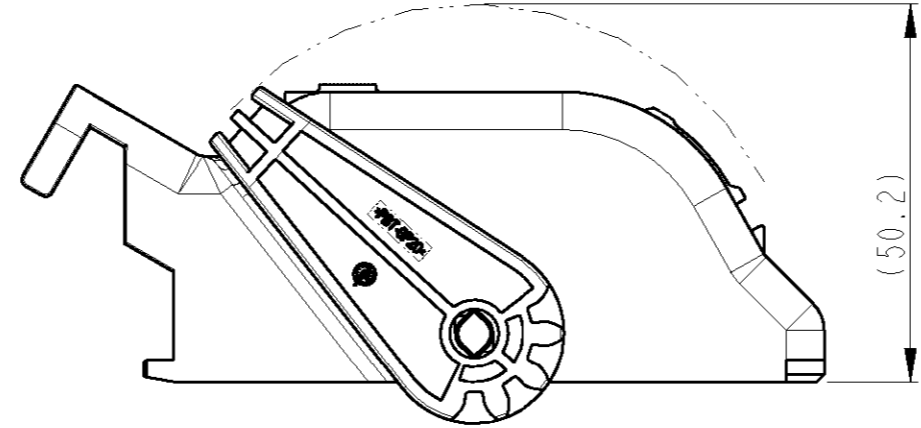
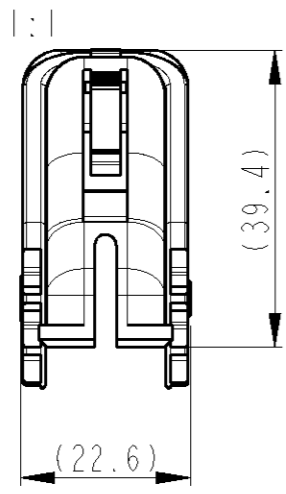
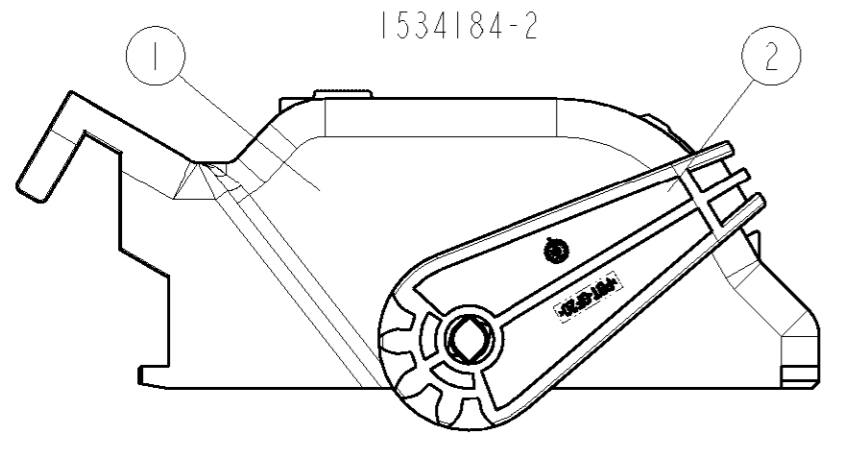


THIS DRAWING IS UNPUBLISHED. RELEASED FOR PUBLICATION 2000
 © COPYRIGHT 2000 BY TYCO ELECTRONICS CORPORATION. ALL RIGHTS RESERVED.

LOC	DIST	REVISIONS				
P	LTR	DESCRIPTION	DATE	DWN	APVD	
A1	-	Zeichnung neu erstellt	02JUL2001	RD	-	
B1	-	Kappe überarbeitet	15MAY2002	RD	-	
C1	-	Kappe überarbeitet	20NOV2002	RD	-	



Bemerkungen

1 Verpackung: Schuetztgut

Notes

1 PACKAGING: LOOSE PIECE

AS SHOWN
wie gezeichnet

ORDER-NO. Bestell-Nr.	Rev.	PART-NO. Teil-Nr.	Rev.	Material	COLOUR Farbe	DESCRIPTION Benennung	St.	Nr.
1534184-2	C	1534183-1	A	PBT-GF20	VIOLET/violett	LEVER/Hebel	1	2
		1534182-1	C	PBT-GF20	BLACK/schwarz	COVER/Abdeckkappe	1	1
1534184-1	C	1534183-1	A	PBT-GF20	VIOLET/violett	LEVER/Hebel	1	2
		1534182-1	C	PBT-GF20	BLACK/schwarz	COVER/Abdeckkappe	1	1

<small>THIS DRAWING IS A CONTROLLED DOCUMENT FOR TYCO ELECTRONICS CORPORATION IT IS SUBJECT TO CHANGE AND THE CONTROLLING ENGINEERING ORGANIZATION SHOULD BE CONTACTED FOR THE LATEST REVISION.</small>		DWN 02JUL2001 R. Dierkes CHK 01AUG2001 B. Kirsch APVD - PRODUCT SPEC - APPLICATION SPEC - WEIGHT -	tyco Electronics tyco Electronics AMP GmbH D - 64625 Bensheim
DIMENSIONS: mm 	TOLERANCES UNLESS OTHERWISE SPECIFIED: 0 PLC ± 1 PLC ± 2 PLC ± 3 PLC ± ANGLER ±1° FINISH -	ACC. TO DIN 16901-140 CENTRIC TO NOMINAL DIM	NAME COVER, ASSSY, MCP-HSG., 32POSN. Abdeckkappe, ZSB, MCP-Gehaeuse 32pol.
MATERIAL -	FINISH -	CUSTOMER DRAWING	SIZE A3 CAGE CODE 00779 DRAWING NO C-1534184 RESTRICTED TO - SCALE 2:1 SHEET 1 OF 1 REV C1

单击下面可查看定价，库存，交付和生命周期等信息

[>>TE Connectivity\(泰科\)](#)