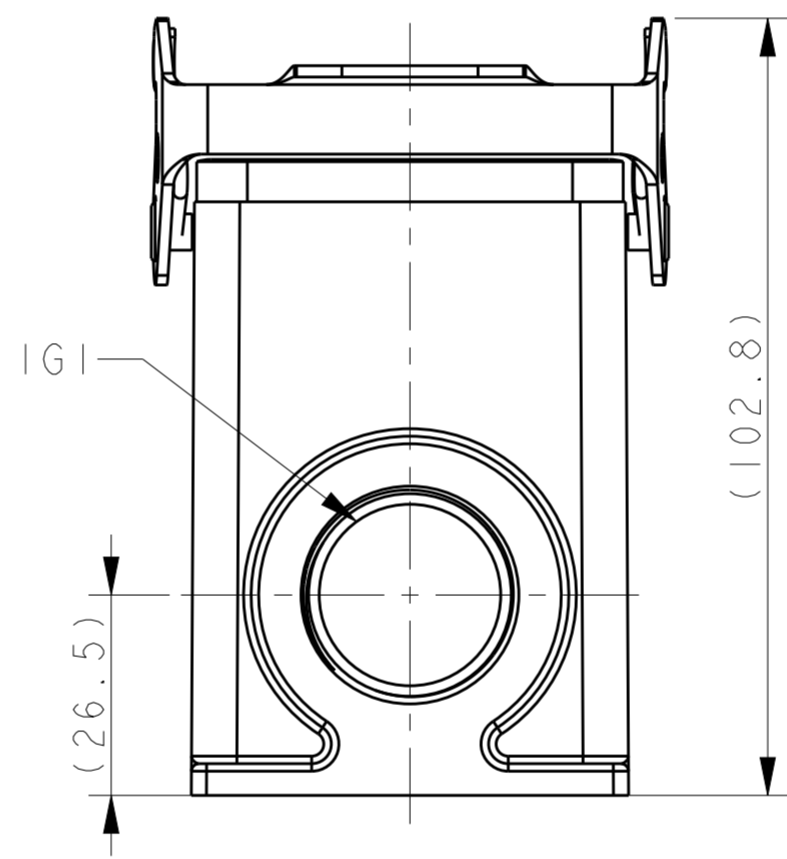
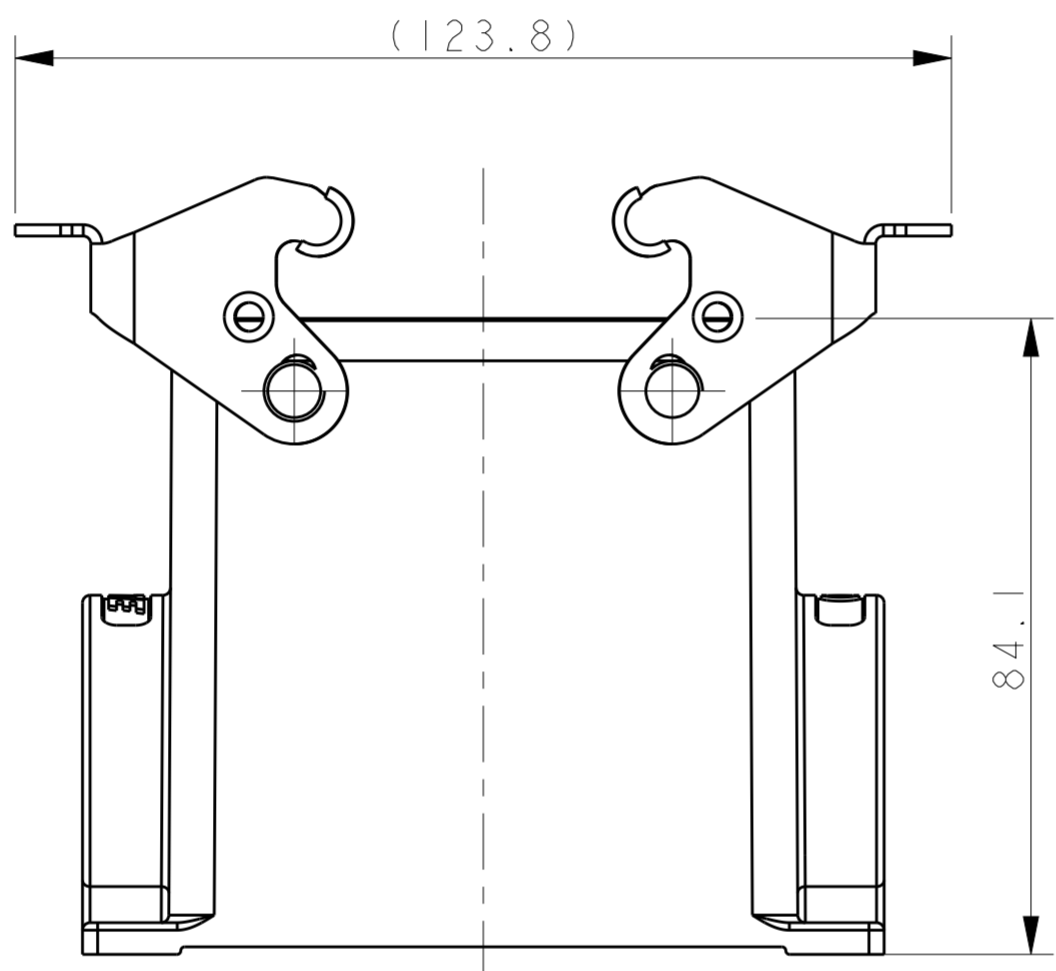
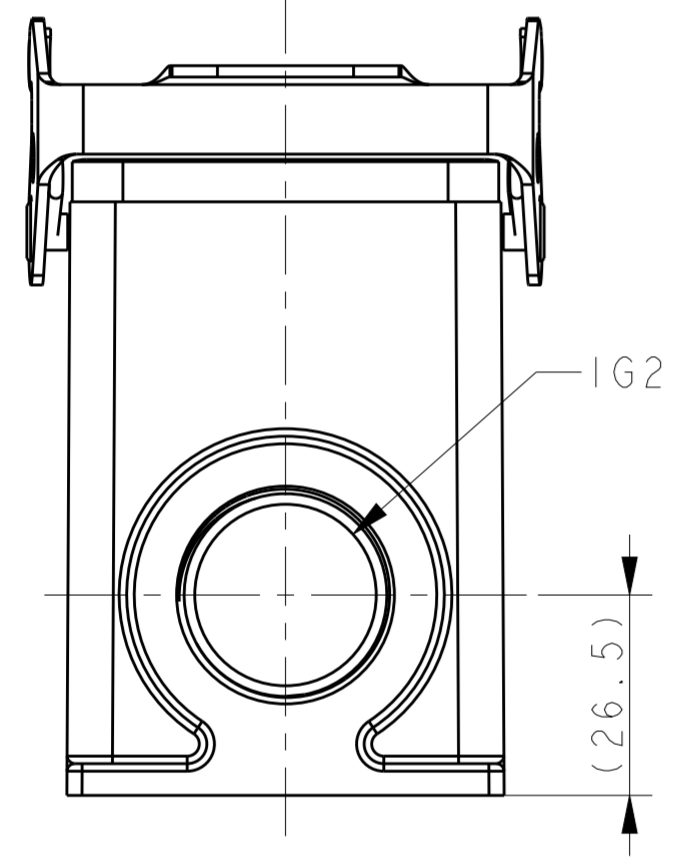
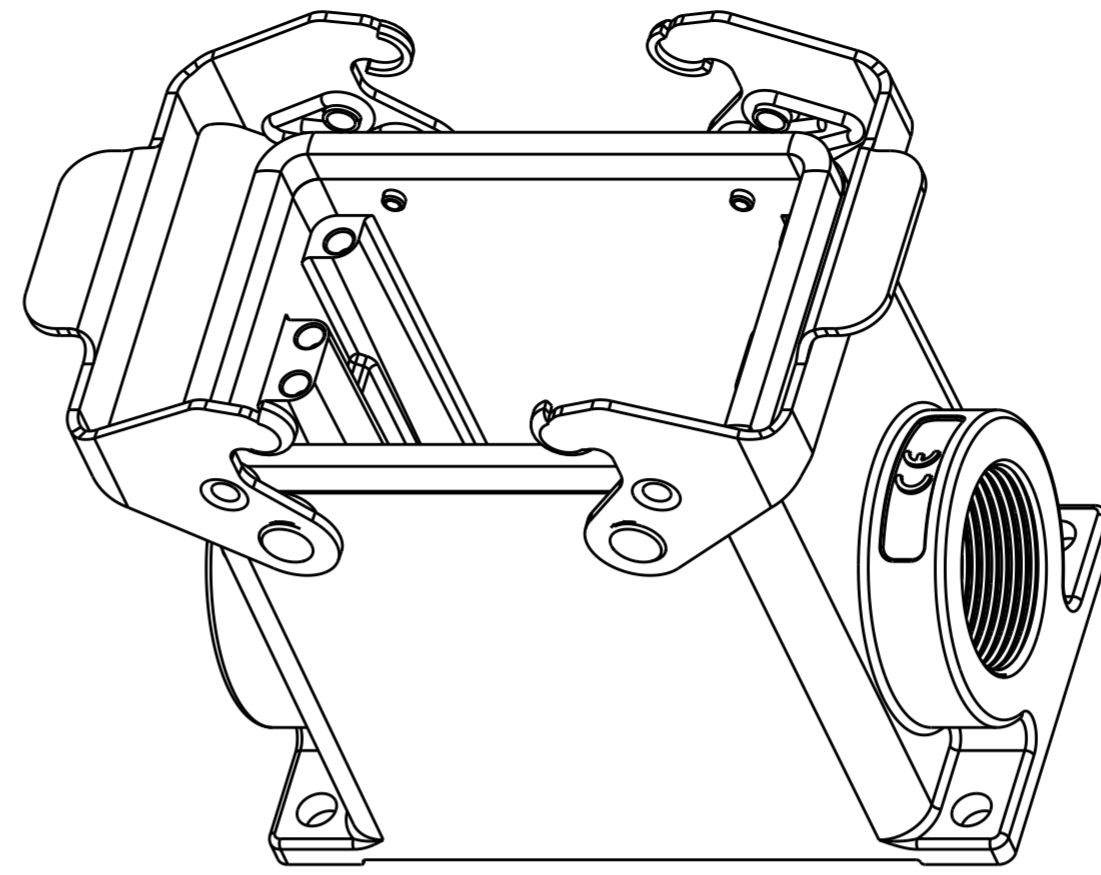
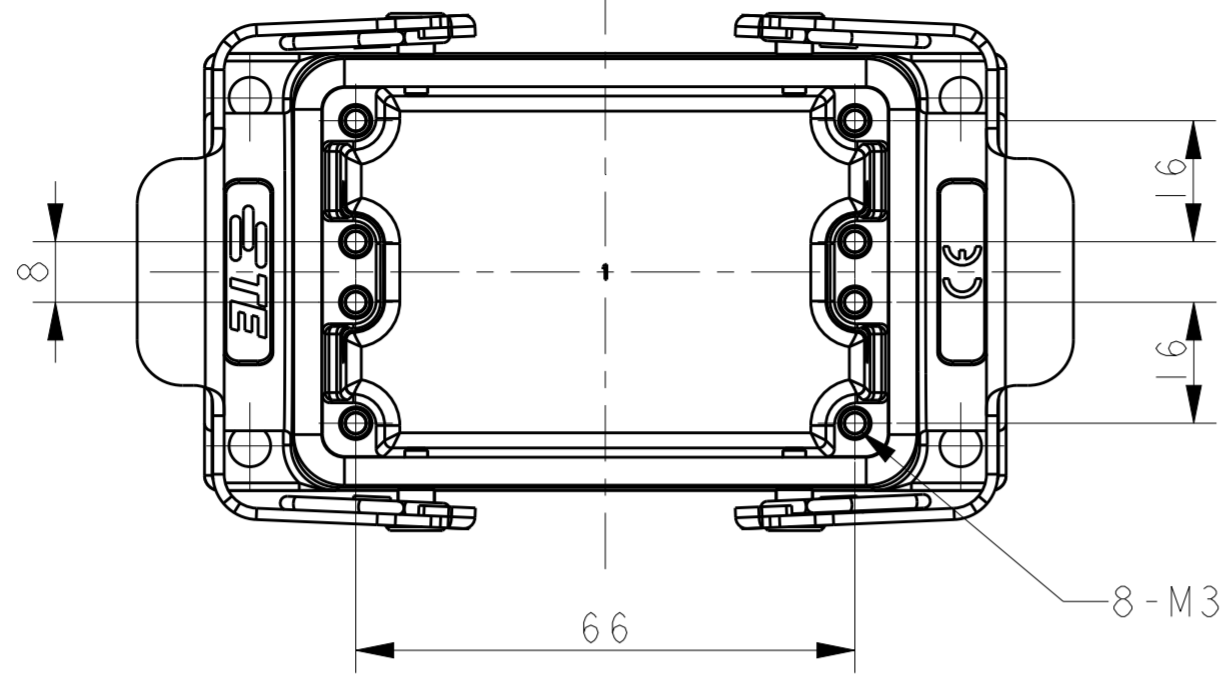


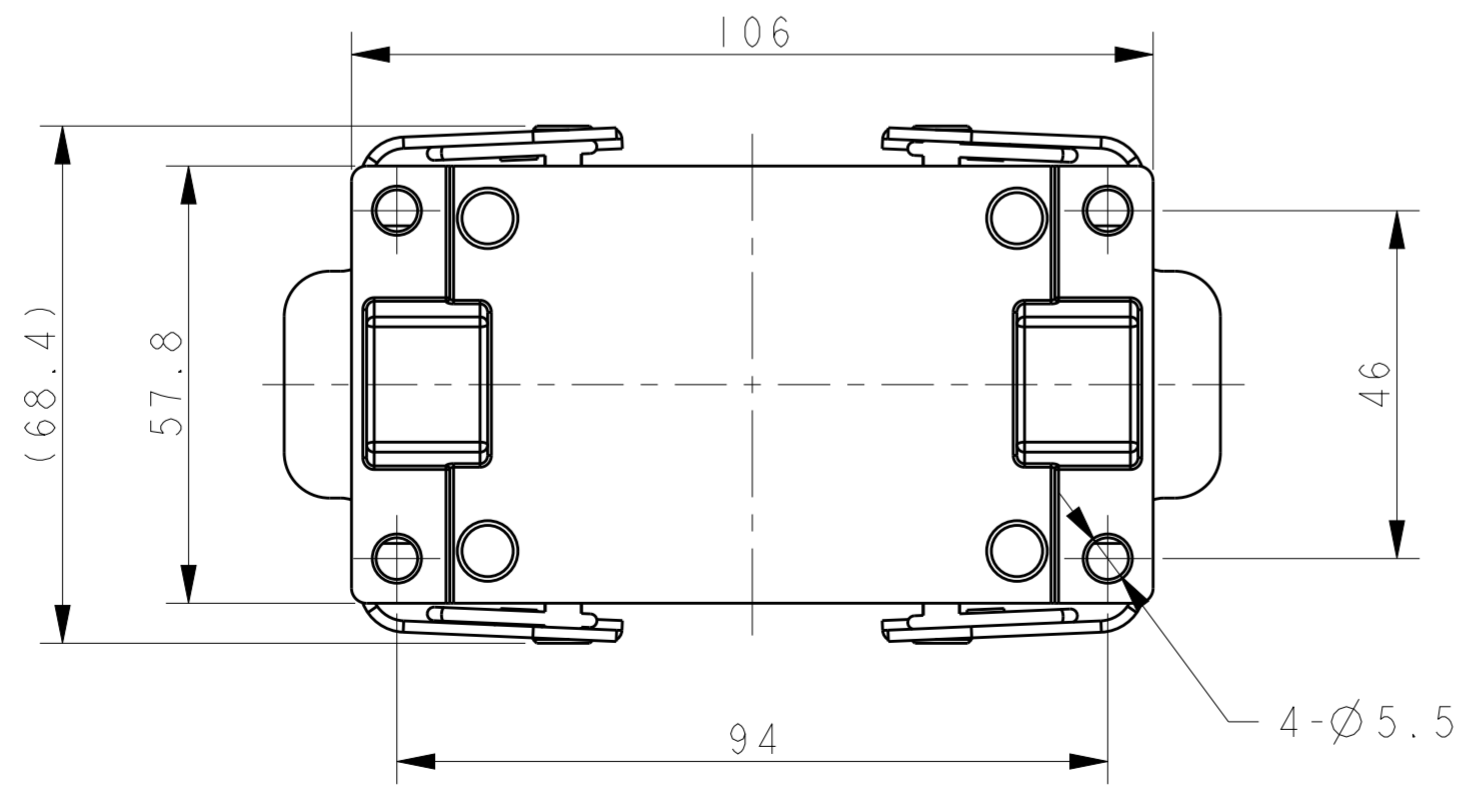
THIS DRAWING IS UNPUBLISHED. RELEASED FOR PUBLICATION 20
 © COPYRIGHT 20 BY - ALL RIGHTS RESERVED.

REVISIONS				
P	LTR	DESCRIPTION	DATE	APVD
A		INITIAL RELEASE	11MAY2015	DL CW
AI		ECR-15-013439	11SEP2015	DL CW
B		ECR-20-010477	28DEC2020	BS CW



NOTES:
 1. TECHNICAL CHARACTERISTICS:
 BODY MATERIAL: DIE CAST ALUMINIUM ALLOY
 SURFACE TREATMENT: POWDER-COATED, GRAY
 DEGREE OF PROTECTION: IP65 (MATED)

注释:
 1. 技术参数:
 主体材料: 铝合金
 表面处理: 粉末喷涂, 灰色
 防护等级: IP65(配合)



T1449320121-000	H32A-SGR-PG21	PG21	-
T1449320125-000	H32A-SGR-M25	M25	-
T1449320129-000	H32A-SGR-PG29	PG29	-
T1449320132-000	H32A-SGR-M32	M32	-
T1449320221-000	H32A-SGR-2PG21	PG21	PG21
T1449320225-000	H32A-SGR-2M25	M25	M25
T1449320229-000	H32A-SGR-2PG29	PG29	PG29
T1449320232-000	H32A-SGR-2M32	M32	M32
ASSEMBLY PART NUMBER	ASSEMBLY PART DESCRIPTION	IG1	IG2

THIS DRAWING IS A CONTROLLED DOCUMENT.		DWN DAVID LI 11MAY2015	TE Connectivity	
		CHK CHRIS WANG 11MAY2015		
		APVD XU XIANG 11MAY2015	NAME H32A-SGR-PG/M	
DIMENSIONS: mm		PRODUCT SPEC 108-137010	SIZE A2	
TOLERANCES UNLESS OTHERWISE SPECIFIED:		APPLICATION SPEC 114-137010	CAGE CODE -	
0 PLC ±		WEIGHT -	DRAWING NO. C-T1449320XXX000	
1 PLC ±		RESTRICTED TO		
2 PLC ±		SCALE 1:1		
3 PLC ±		SHEET OF		
4 PLC ±		REV B		
ANGLES ±		CUSTOMER DRAWING		
FINISH -				

单击下面可查看定价，库存，交付和生命周期等信息

[>>TE Connectivity\(泰科\)](#)