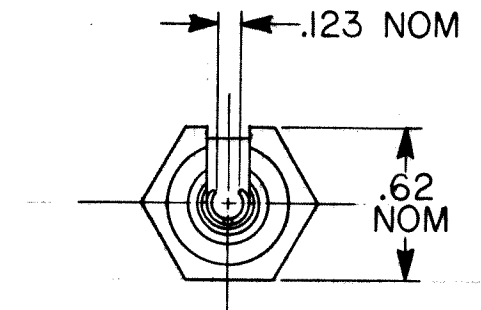
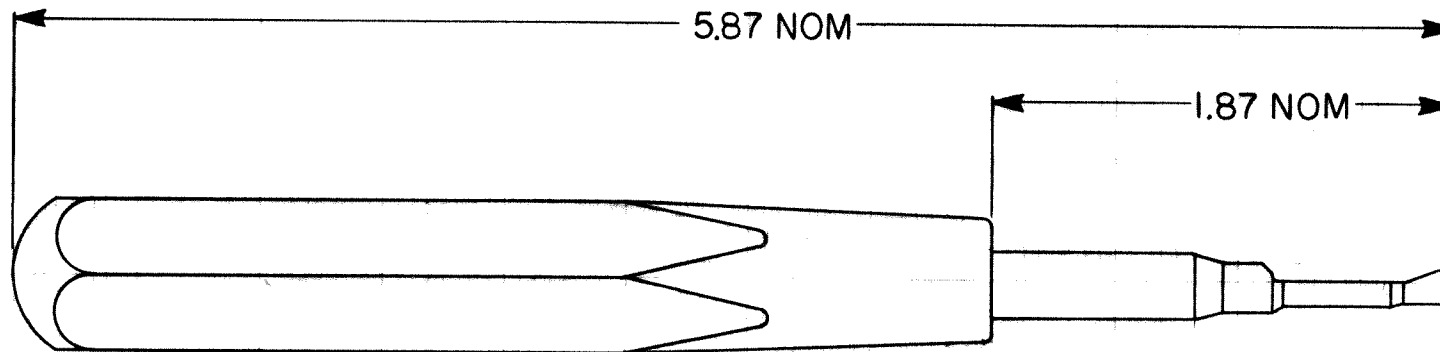


REVISIONS				
ZONE	LTR	DESCRIPTION	DATE	APPROVED
-	A	RELEASED TO MFG.	19/FEB/77	Dln

If this document is printed it becomes uncontrolled.
Check for the latest revision.



NOTES:

- THIS TOOL IS USED FOR THE INSERTION OF ELECTRICAL CONTACTS INTO CONNECTOR BLOCKS. REFERENCE (MS24256A12)

SPECIFICATION CONTROL DRAWING

ITEM	QTY.	PART NUMBER	DWG. OR SPEC.	DESCRIPTION
PARTS LIST				
UNLESS OTHERWISE SPECIFIED DIMENSIONS ARE IN INCHES AND TOLERANCES ARE: .XXX ± — .XX ± — .X ± —				DRAWN J BITTER 12-1-76 CHECKED R. Maddox 19/FEB/77 APPROVED WTZ 2-15-77 APPROVED — — APPROVED — — PART NUMBER 993966 PROJECT AD-1523
MATERIAL — FINISH —				RAYCHEM RAYCHEM CORPORATION 300 CONSTITUTION DRIVE MENLO PARK, CALIFORNIA 94025 TITLE AD-1523 CONTACT INSERTION TOOL (FOR #12 SOLDER TACT) SIZE CODE IDENT. DWG. NO. AD-1523-5 C NO. 06090 SCALE NONE WEIGHT — SHEET — OF —
THIS DRAWING AND THE INFORMATION SET FORTH HEREON ARE THE PROPERTY OF RAYCHEM CORPORATION, AND ARE TO BE HELD IN TRUST AND CONFIDENCE. PUBLICATION, DUPLICATION, DISCLOSURE, OR USE FOR ANY PURPOSE NOT EXPRESSLY AUTHORIZED IN WRITING BY RAYCHEM CORPORATION IS PROHIBITED.		AD-1523 NEXT ASSY USED ON APPLICATION	DO NOT SCALE THIS DRAWING	

单击下面可查看定价，库存，交付和生命周期等信息

[>>TE Connectivity\(泰科\)](#)