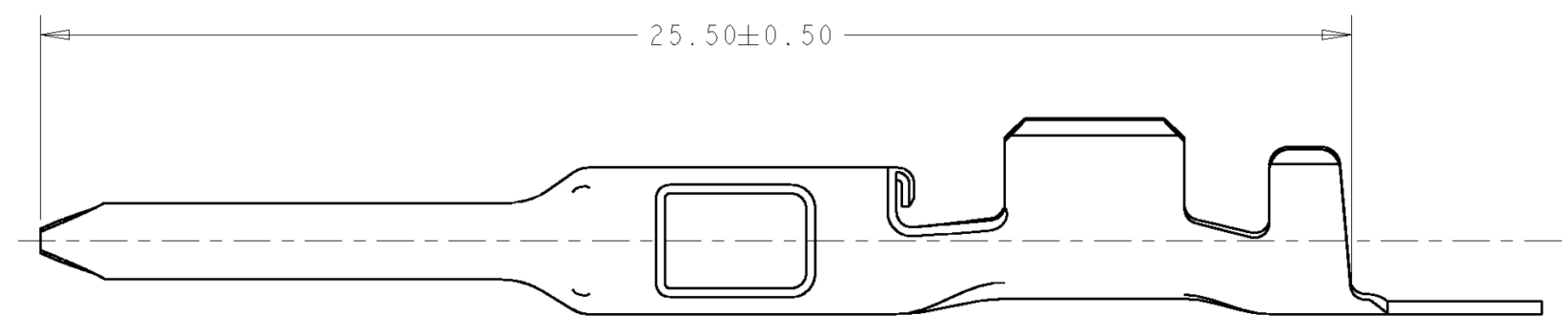
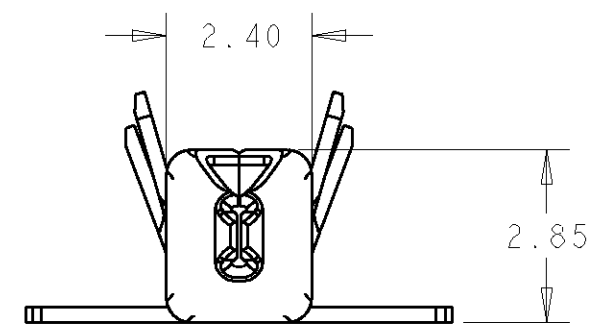
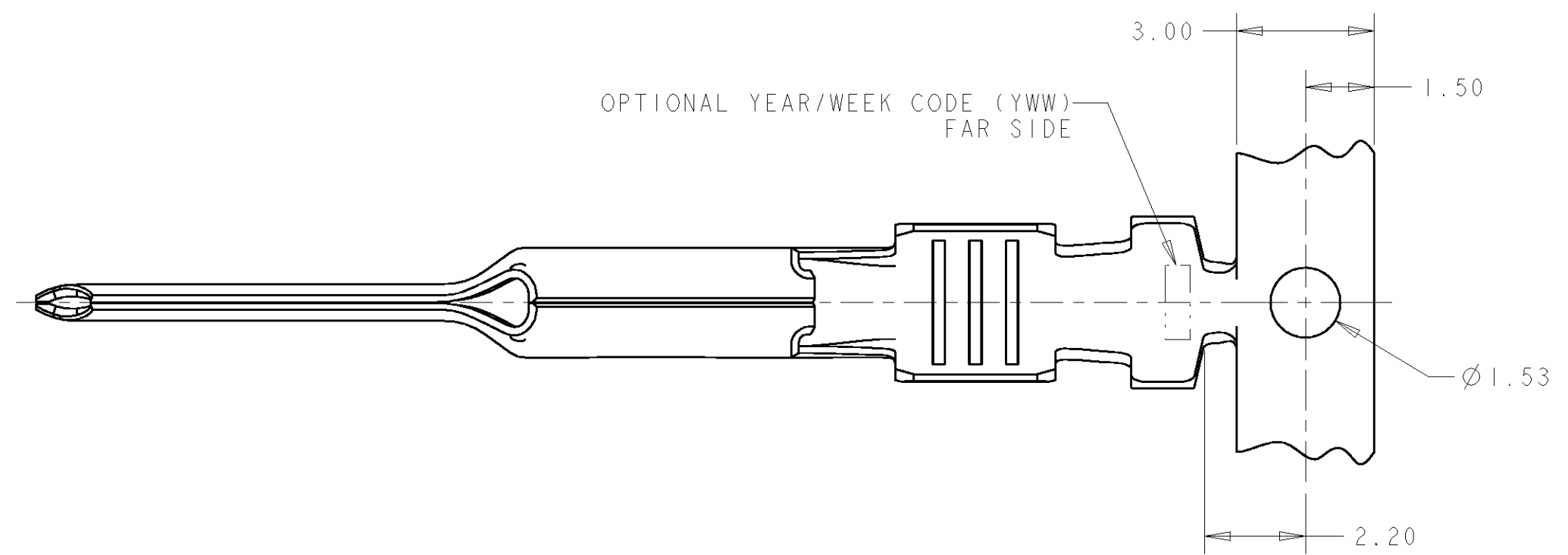
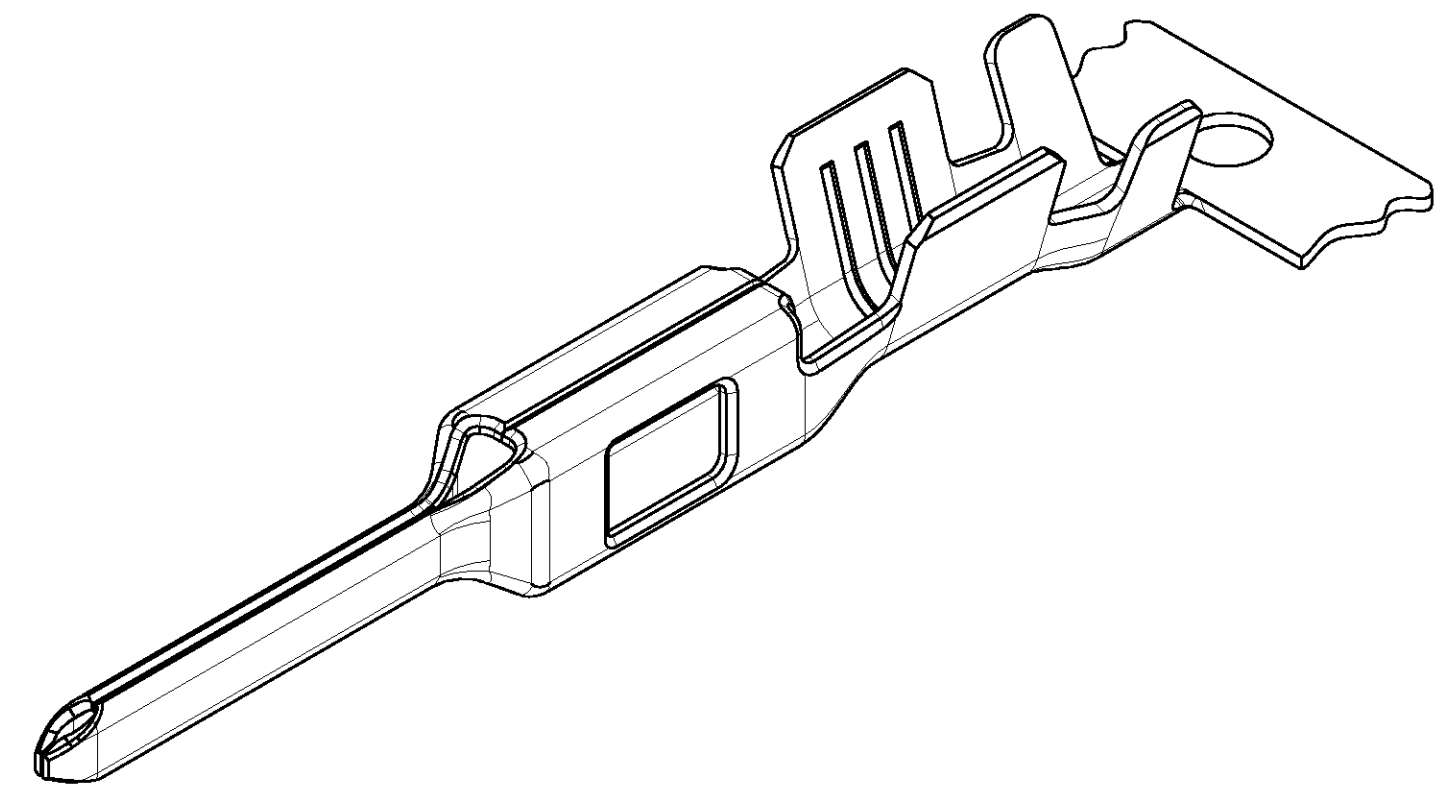


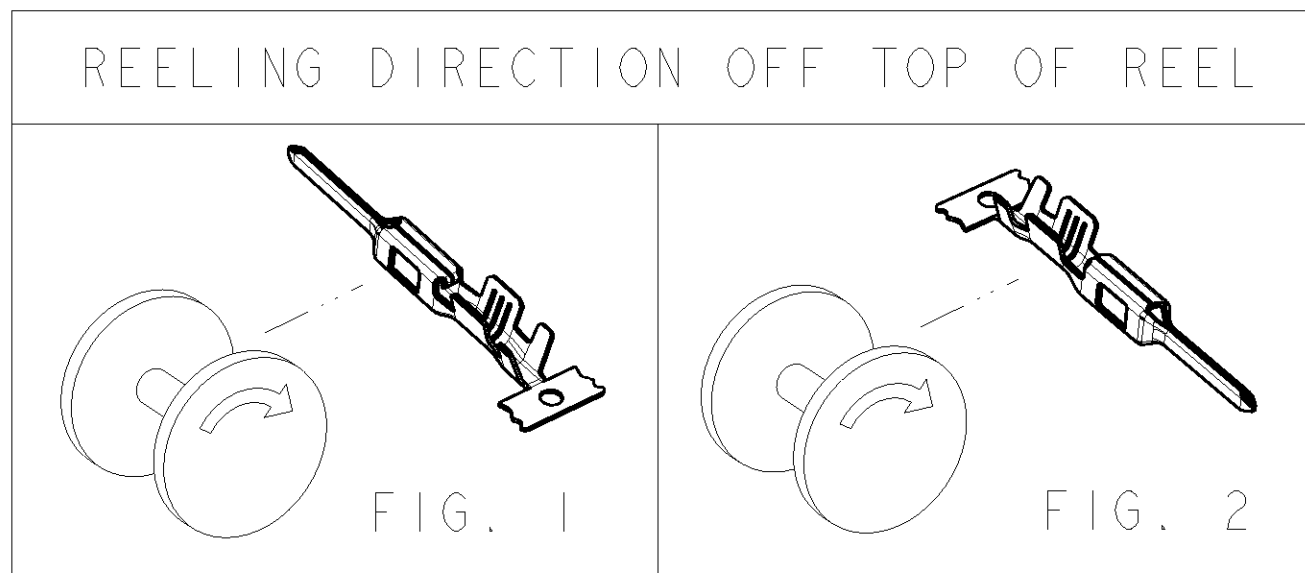
THIS DRAWING IS UNPUBLISHED. RELEASED FOR PUBLICATION 20
 © COPYRIGHT 20 BY TYCO ELECTRONICS CORPORATION. ALL RIGHTS RESERVED.

LOC	DIST	REVISIONS			
P	LTR	DESCRIPTION	DATE	DWN	APVD
		RELEASED PER EC 0K01-0014-04	13FEB2004	MFF	VMK
		REV PER EC 0K01-0057-04	16APR2004	MBH	VMK
		REV PER ECR 05-001768	14OCT2005	RGV	DHC



- 1 FINISH: PLATED 0.0004 MIN THICK TIN
- 2. PART LUBRICATED WITH HIGH TEMPERATURE ANTI-FRETTING LUBRICANT. TYCO ELECTRONICS P/N 987325-2

STATUS	REELING	FINISH	WIRE SIZE	PART NUMBER
PROPOSED	FIG. 2	1	22	1488657-6
PROPOSED	FIG. 2		18-20	1488657-5
PROPOSED	FIG. 2		14-16	1488657-4
PROPOSED	FIG. 1		22	1488657-3
RELEASED	FIG. 1		18-20	1488657-2
RELEASED	FIG. 1		14-16	1488657-1



<small>THIS DRAWING IS A CONTROLLED DOCUMENT FOR TYCO ELECTRONICS CORPORATION. IT IS SUBJECT TO CHANGE AND THE CONTROLLING ENGINEERING ORGANIZATION SHOULD BE CONTACTED FOR THE LATEST REVISION.</small>		DWN M. HITCHCOCK CHK V. M. KANE APVD J. GUNDELMANN	14OCT2003 14OCT2003 14OCT2003	tyco Electronics Tyco Electronics Harrisburg, PA 17105-3608
DIMENSIONS: mm	TOLERANCES UNLESS OTHERWISE SPECIFIED: 0 PLC ± 1 PLC ± 2 PLC ±0.20 3 PLC ± 4 PLC ± ANGLES ± FINISH	PRODUCT SPEC APPLICATION SPEC 114-13133	NAME NEXT GENERATION 1.50mm MALE TERMINAL	SIZE A2
MATERIAL 0.25 THICK COPPER ALLOY	WEIGHT -	CUSTOMER DRAWING	CAGE CODE 00779	DRAWING NO 1488657
SCALE 8:1			SHEET 1 OF 1	REV B

单击下面可查看定价，库存，交付和生命周期等信息

[>>TE Connectivity\(泰科\)](#)