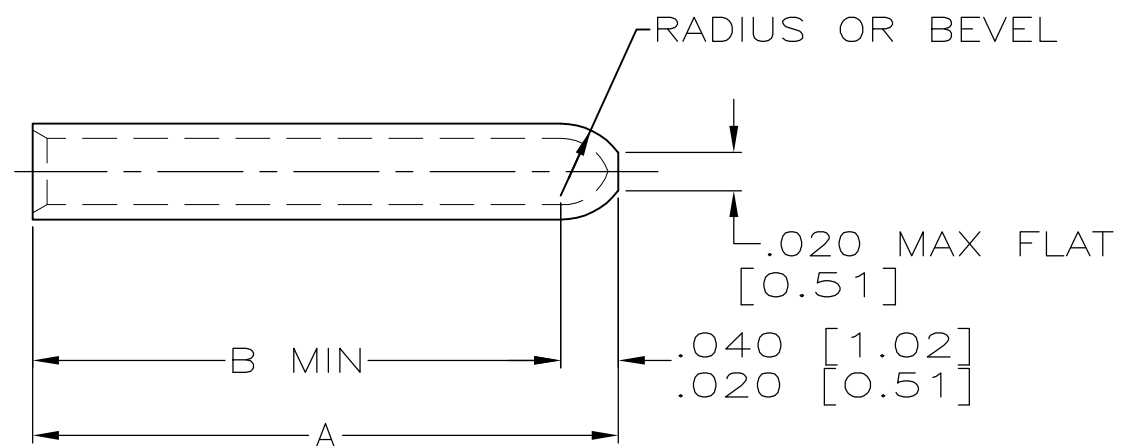
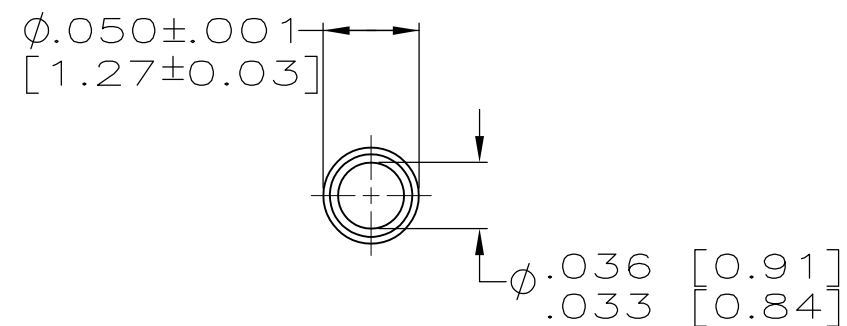


THIS DRAWING IS UNPUBLISHED. RELEASED FOR PUBLICATION  
 © COPYRIGHT - By - ALL RIGHTS RESERVED.

LOC		DIST		REVISIONS			
P	LTR	DESCRIPTION		DATE	DWN	APVD	
	D	REV PER ECO 12-007533		10-8-12	CT	DM	



M55302/31-02	BRASS	NICKEL	.225 [5.72]	.250 [6.35]	583254-4
M55302/31-01	BRASS	NICKEL	.240 [6.10]	.305 [7.75]	583254-3
MILITARY PART NUMBER	MATERIAL	FINISH	B	A	PART NUMBER

THIS DRAWING IS A CONTROLLED DOCUMENT.		DWN T. ALEXANDER 12-16-94	<b>STE</b> TE Connectivity														
DIMENSIONS: INCHES [mm]		CHK D. MILLER 12-22-94															
TOLERANCES UNLESS OTHERWISE SPECIFIED:		APVD B. FOLEY 12-22-94	NAME KEYING SLEEVE														
<table border="0"> <tr><td>0 PLC</td><td>± -</td></tr> <tr><td>1 PLC</td><td>± -</td></tr> <tr><td>2 PLC</td><td>± -</td></tr> <tr><td>3 PLC</td><td>± .005 [0.13]</td></tr> <tr><td>4 PLC</td><td>± -</td></tr> <tr><td>ANGLES</td><td>± -</td></tr> </table>		0 PLC	± -	1 PLC	± -	2 PLC	± -	3 PLC	± .005 [0.13]	4 PLC	± -	ANGLES	± -	PRODUCT SPEC -	APPLICATION SPEC -		
0 PLC	± -																
1 PLC	± -																
2 PLC	± -																
3 PLC	± .005 [0.13]																
4 PLC	± -																
ANGLES	± -																
MATERIAL SEE TABLE	FINISH SEE TABLE	WEIGHT -	SIZE A3	CAGE CODE 00779	DRAWING NO C-583254												
CUSTOMER DRAWING			SCALE 10:1	SHEET 1 OF 1	REV D												

单击下面可查看定价，库存，交付和生命周期等信息

[>>TE Connectivity\(泰科\)](#)