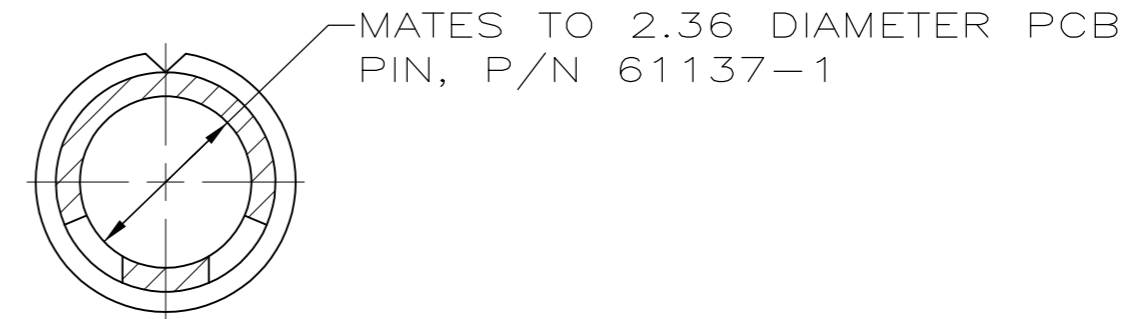
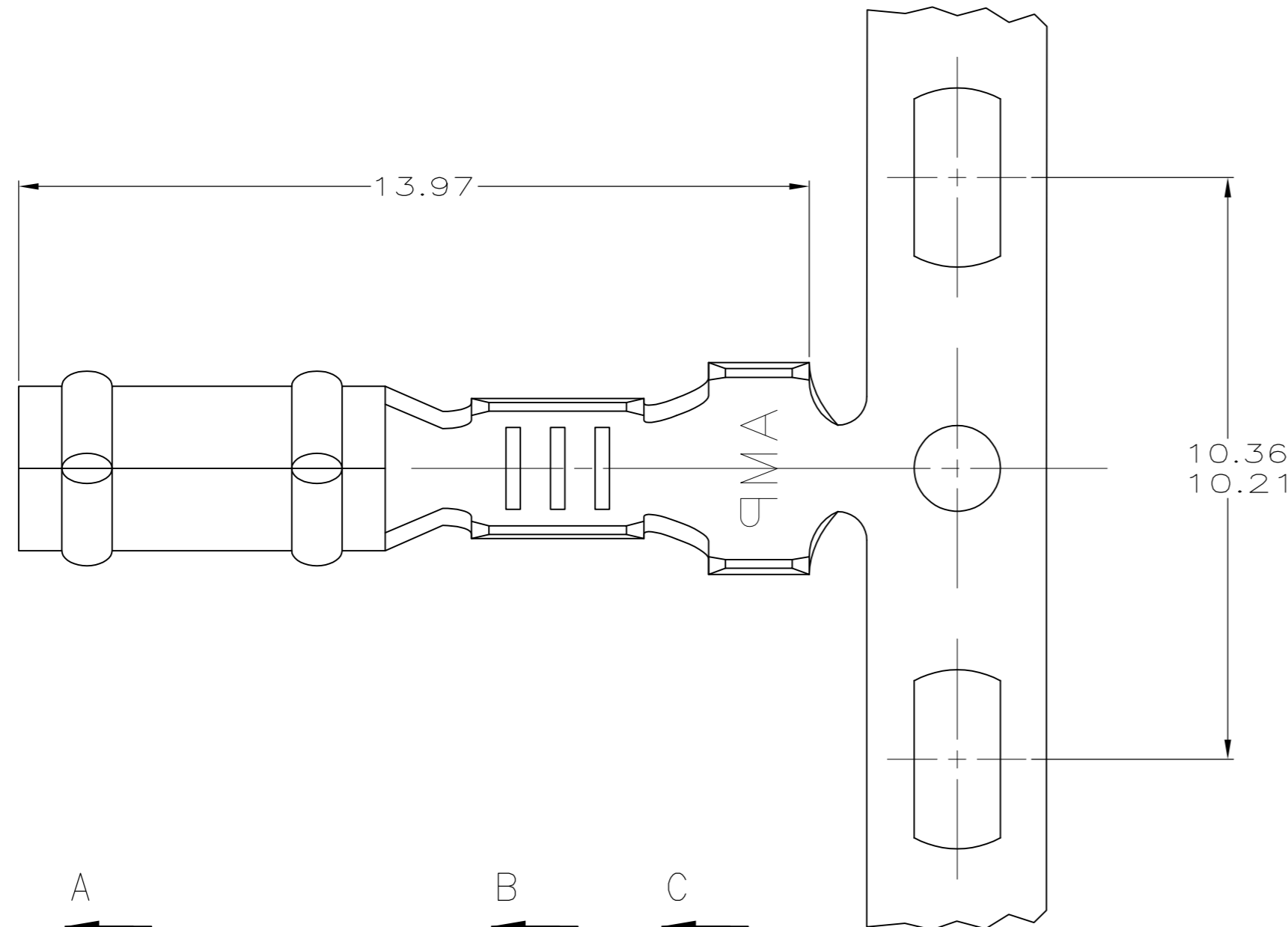


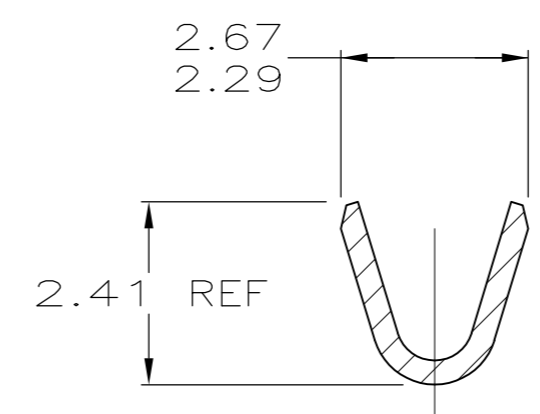
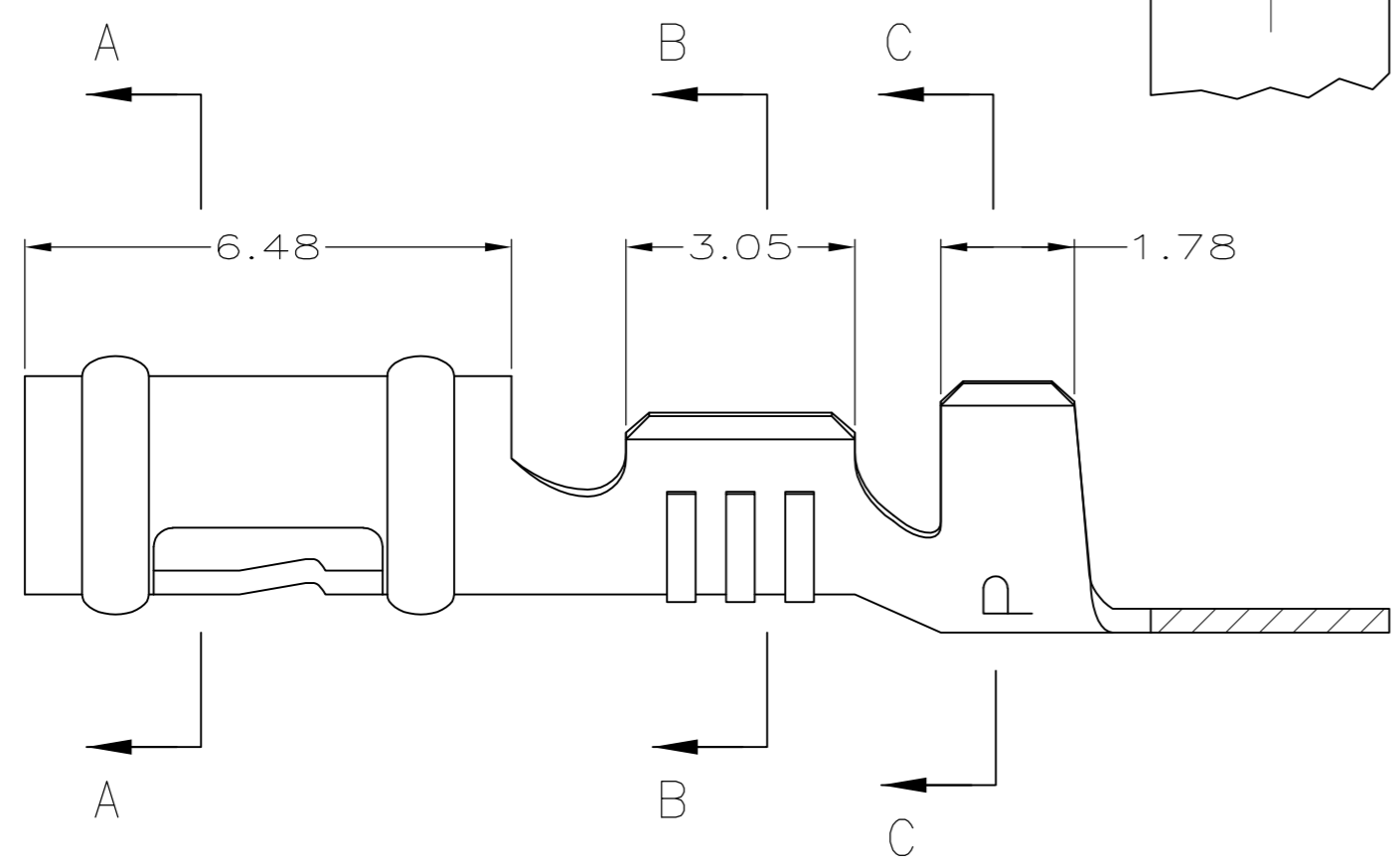
THIS DRAWING IS UNPUBLISHED. RELEASED FOR PUBLICATION
 © COPYRIGHT - By - ALL RIGHTS RESERVED.

LOC	DIST	REVISIONS					
		P	LTR	DESCRIPTION	DATE	DWN	APVD
CM	52	L2		REVISED PER ECO-11-004917	11MAR11	RK	HMR

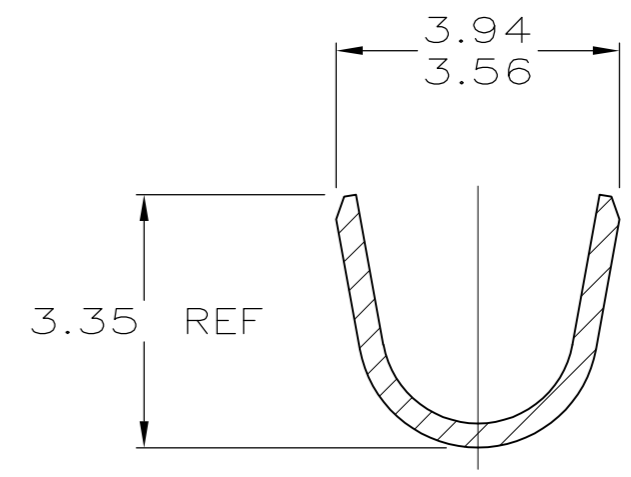
1. WIRE RANGE: 0.3 - 0.9 MM² (22 - 18 AWG)
 2. INSULATION RANGE: 1.52 - 2.79
- ⚠ REVERSE REEL OF PART NUMBER 61291-5.



SECTION A-A



SECTION B-B



SECTION C-C

⚠ 61291-5
61291-1
PART NUMBER

2.29	.090	3.05	.120	10.21	.402	-	-
1.78	.070	2.79	.110	6.48	.255	-	-
1.52	.060	2.67	.105	3.94	.155	-	-
0.32	.013	2.41	.095	3.56	.140	13.97	.550
0.13	.005	2.36	.093	3.35	.132	10.36	.408
MM	IN	MM	IN	MM	IN	MM	IN

CONVERSION TABLE

METRIC

THIS DRAWING IS A CONTROLLED DOCUMENT.		DWN	T. BECK	6-16-97		TE Connectivity		
DIMENSIONS: mm		CHK	R. SWING	6-16-97		NAME		
TOLERANCES UNLESS OTHERWISE SPECIFIED:		APVD	A. BEDDICK	8-22-97		PRODUCT SPEC		
0 PLC ± - 1 PLC ± - 2 PLC ± 0.13 3 PLC ± - 4 PLC ± - ANGLES ± -		APPLICATION SPEC		108-1025				
MATERIAL		FINISH		WEIGHT		SIZE		
0.32 PH BRZ		PRE TIN		-		A2		
CUSTOMER DRAWING				SCALE		SHEET		
				10:1		1 of 1		
				REV		L2		

单击下面可查看定价，库存，交付和生命周期等信息

[>>TE Connectivity\(泰科\)](#)