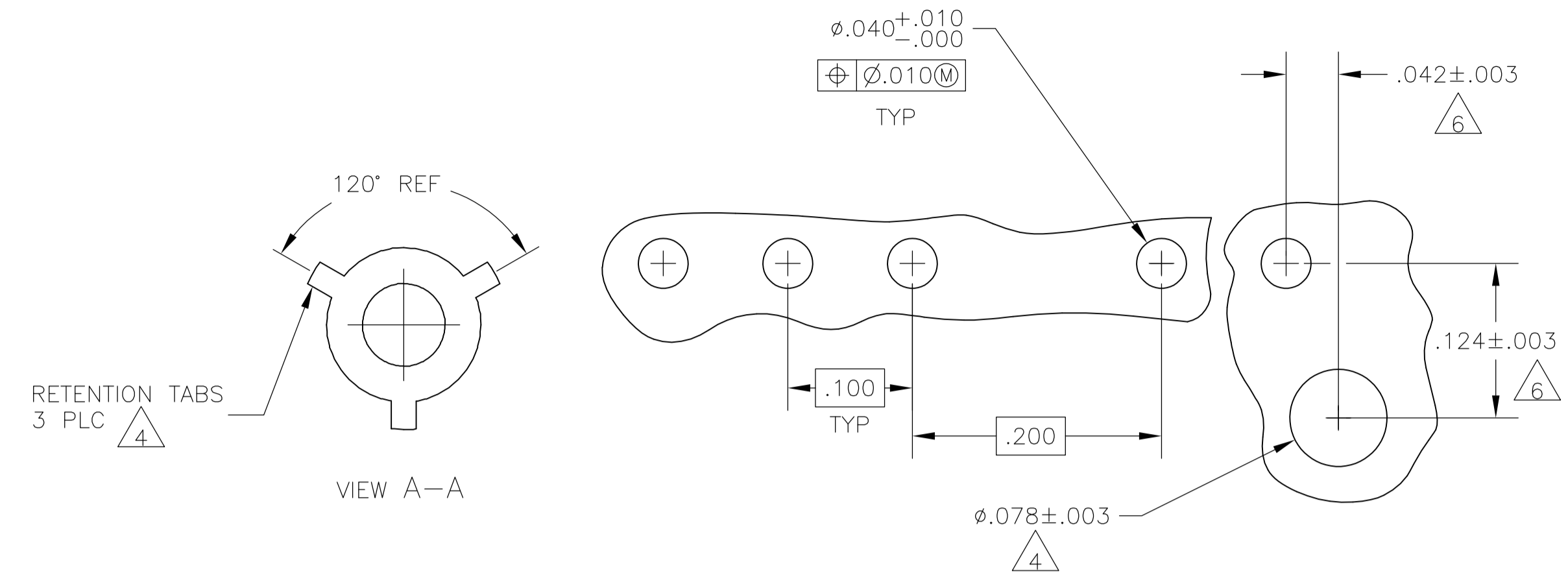
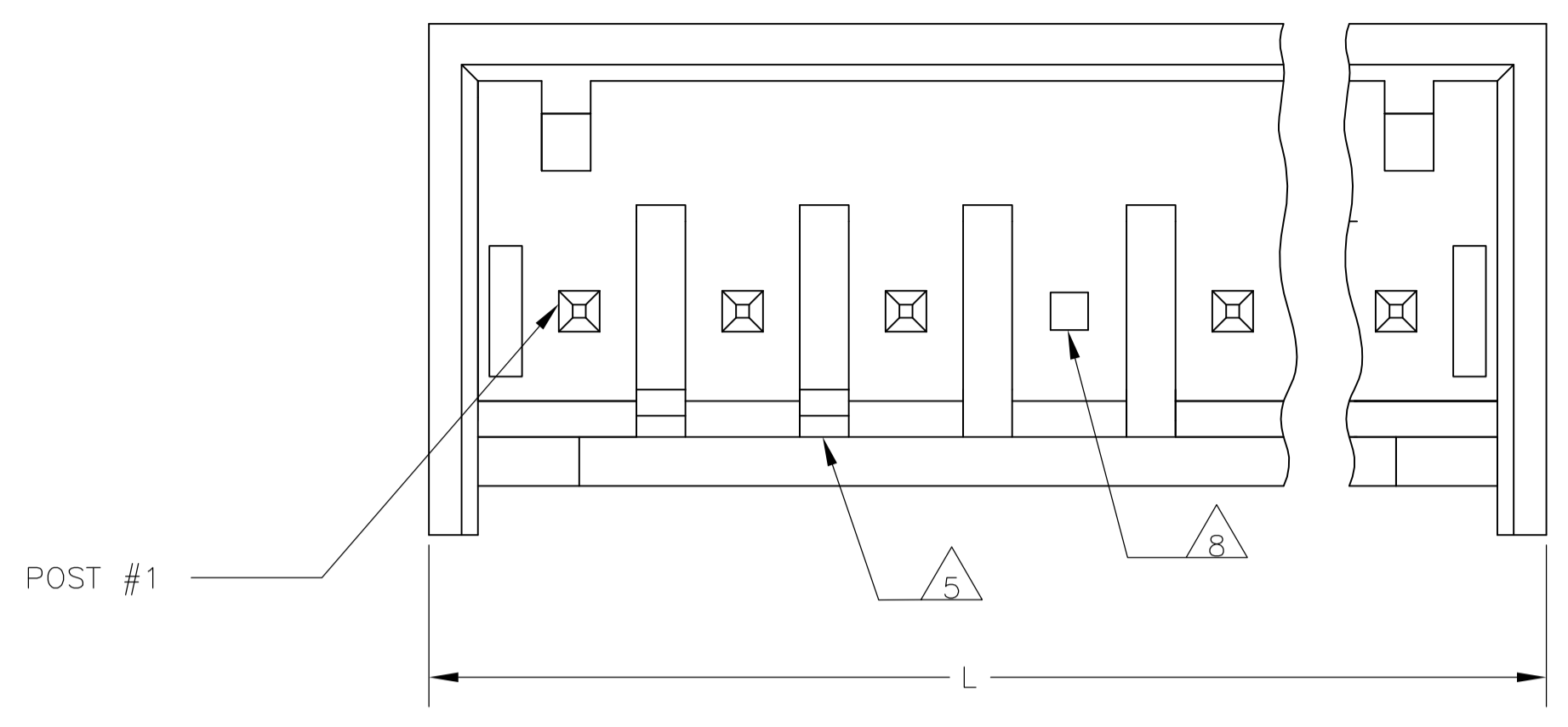
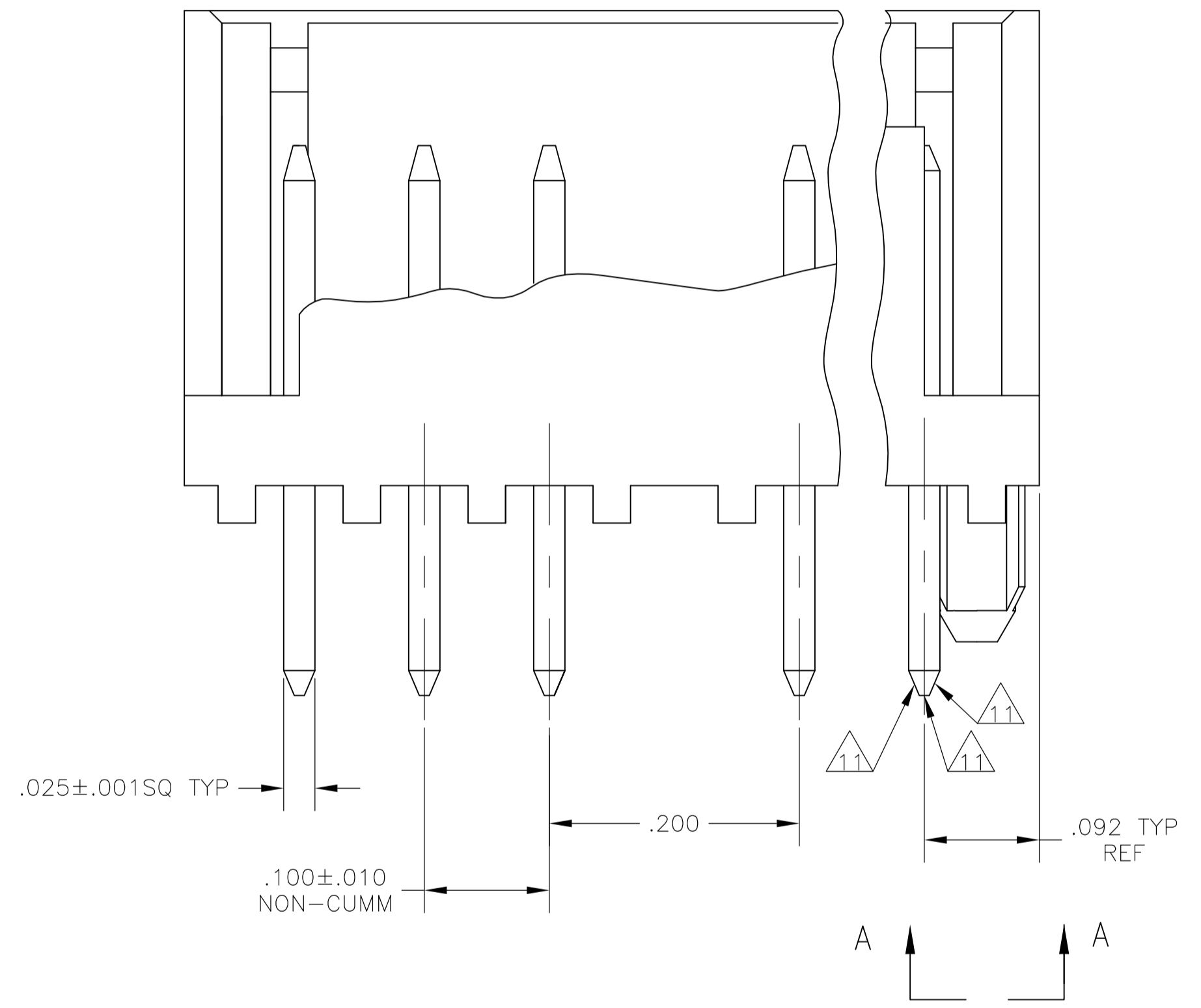
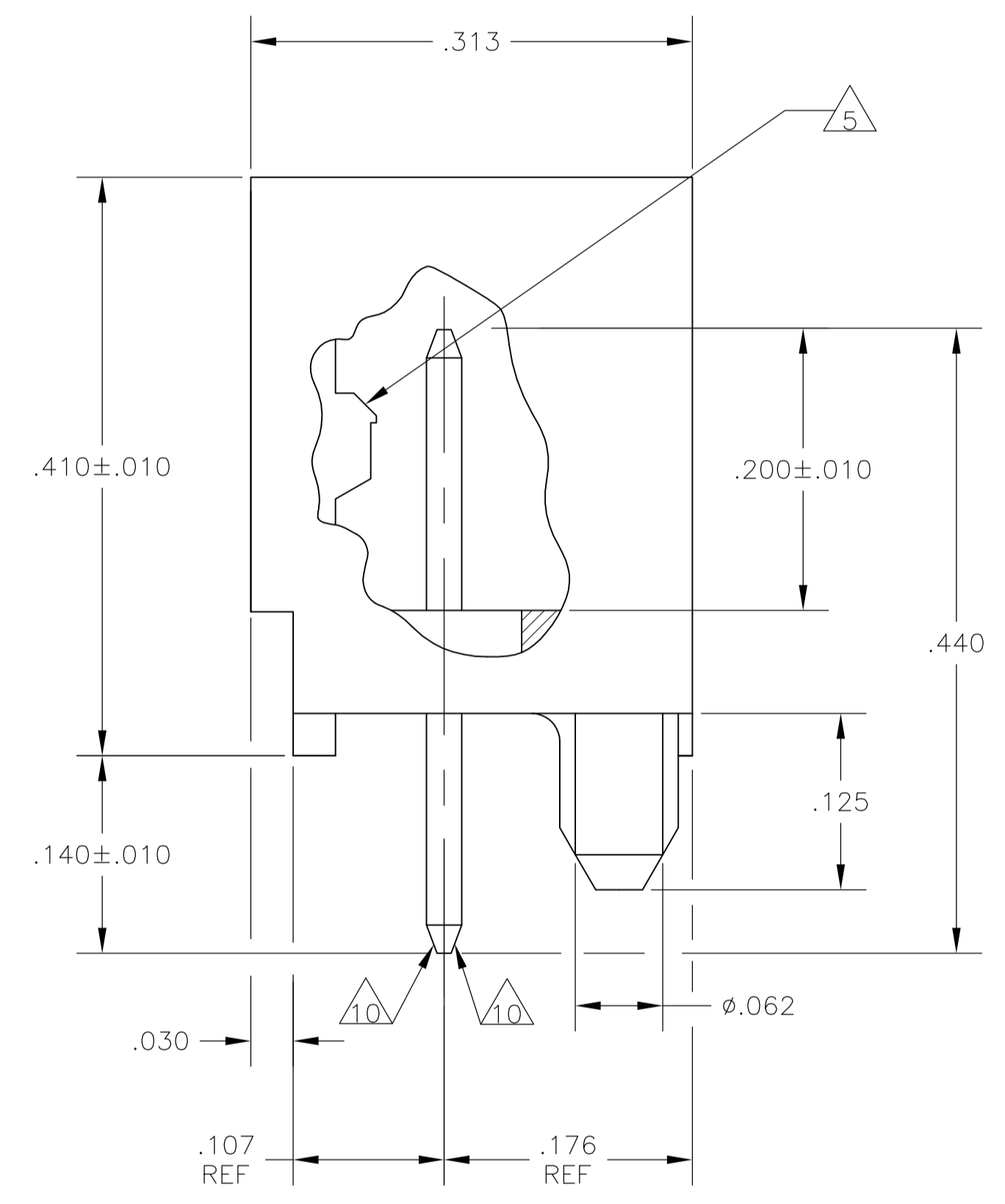


LOC		DIST		REVISIONS			
CM	00	REV	DATE	BY	APPV	DATE	BY
H		REVISED PER ECO-11-006470	30JUN11	HMR	SM		



RECOMMENDED MOUNTING HOLE PATTERN FOR .063 THK PRINTED CIRCUIT BOARD



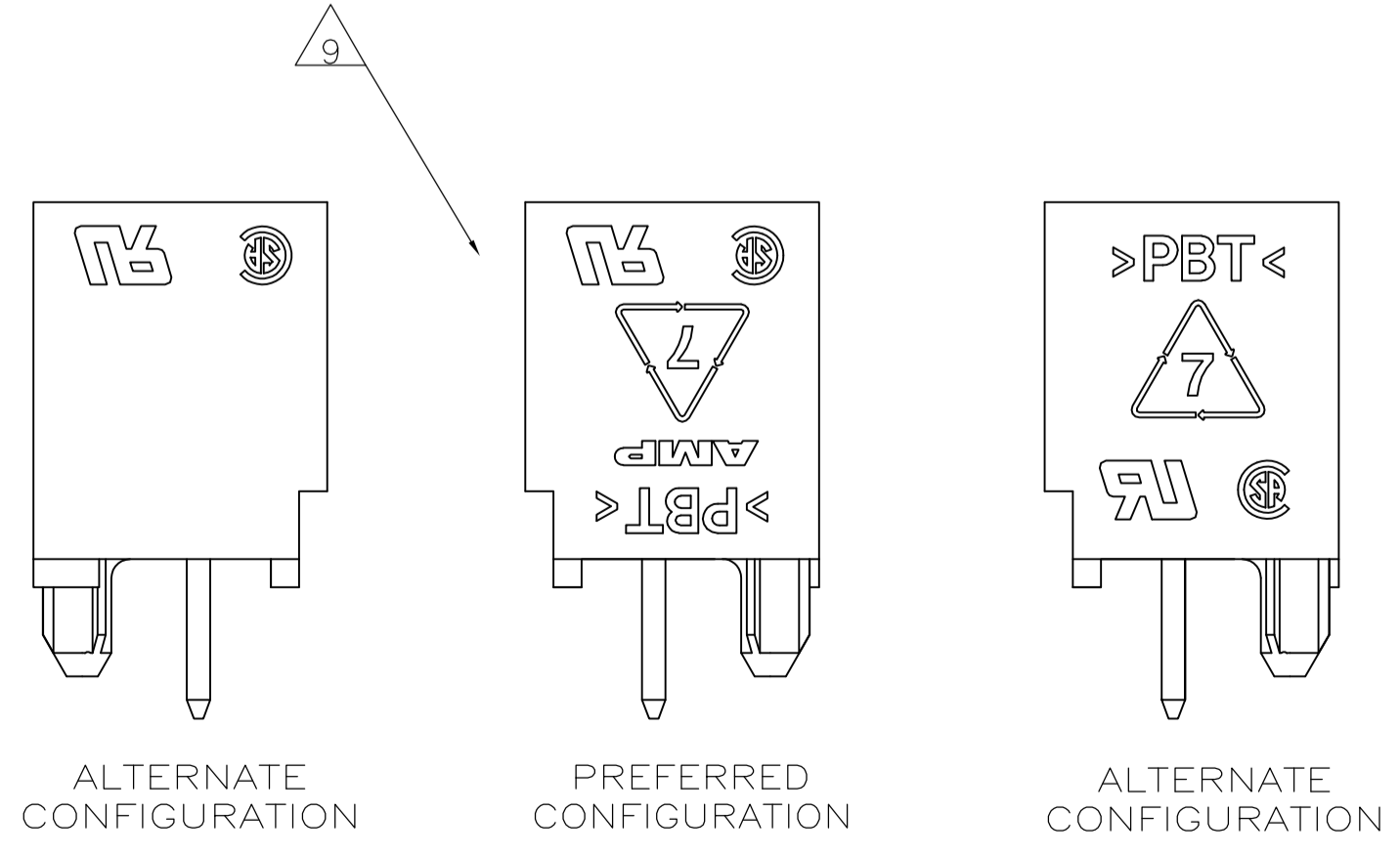
- 1 MATERIAL:
HEADER- POLYESTER UL94V-0 (BLACK)
POST- COPPER ALLOY.
- 2 SOLDER SIDE OF P.C. BOARD SHOWN.
- 3 PARTS COMPLY WITH AMP SOLDERABILITY SPEC 109-11-2.
- 4 THE RETENTION TABS PROVIDE A ONE-TIME INTERFERENCE FIT IN THE .078 DIAMETER BOARD HOLE FOR HEADER ASSEMBLY RETENTION DURING SOLDERING.
- 5 LATCH DETENT FEATURE OCCURS 2 PLACES ON EACH END (MAXIMUM OF FOUR PER PART), FOR 2 THRU 5 CIRCUIT HEADERS, LATCH FEATURE OCCURS BETWEEN EACH CIRCUIT.
- 6 COORDINATE DIMENSION APPLIES FROM CENTER OF ACTUAL FEATURE.
- 7 POST: MATTE TIN OR TIN-LEAD (93/7) PLATED. SEE TABLE TO DETERMINE PLATING TYPE.
- 8 POST NUMBER 4 OMITTED.
- 9 UL AND CSA LOGO WILL APPEAR IN THIS AREA. AMP LOGO MAY APPEAR IN THIS AREA OR ON BOTTOM OF PART.
- 10 TWO SIDES OF TAPER, AS SHOWN, MUST BE PLATED. TYPICAL, BOTH ENDS.
- 11 TWO SIDES OF TAPER, AS SHOWN, AND TIP MAY BE UNPLATED. TYPICAL, BOTH ENDS.

644730-6 SHOWN

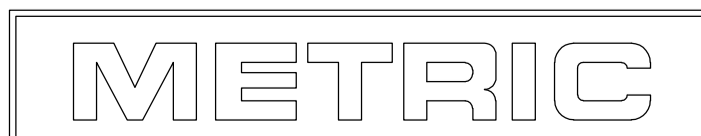
FINISH	IN	MM	NO OF POSITIONS	PART NUMBER
TIN	.684	17.37	6	3-644730-6
	.484	12.04	6	3-644730-4
TIN-LEAD	.684	17.37	6	644730-6
	.484	12.04	6	644730-4
L HEADER ASSEMBLY				

INCH	MM	INCH	MM	INCH	MM
.313	7.95	.062	1.57		
.200	5.08	.042	1.07		
.176	4.47	.040	1.02		
.140	3.56	.030	0.76		
.125	3.18	.025	0.64		
.124	3.15	.010	0.25		
.107	2.72	.005	0.13		
.100	2.54	.003	0.08		
.092	2.34	.001	0.03		
.440	11.18	.078	1.98	.000350	0.009
.410	10.41	.063	1.60	.000150	0.004

CONVERSION TABLE



POSSIBLE MARKING CONFIGURATIONS SCALE 5:1



THIS DRAWING IS A CONTROLLED DOCUMENT.

DIMENSIONS: INCHES	TOLERANCES UNLESS OTHERWISE SPECIFIED:	DRAWING NO	RESTRICTED TO
0 PLC ± -	1 PLC ± -	31AUG2004	
2 PLC ± -	3 PLC ± .005	31AUG2004	
4 PLC ± -	ANGLES ± -		

APPROVED: D. BOSSI

NAME: MTA-100 SHROUDED HEADER ASSEMBLY, FRICTION LOCK, STRAIGHT POST, TIN OR TIN LEAD PLATED, POST NO. 4 OMITTED

SIZE: A1 CAGE CODE: 00779 DRAWING NO: 644730

WEIGHT: CUSTOMER DRAWING SCALE: 10:1 SHEET: 1 OF 1 REV: H

单击下面可查看定价，库存，交付和生命周期等信息

[>>TE Connectivity\(泰科\)](#)