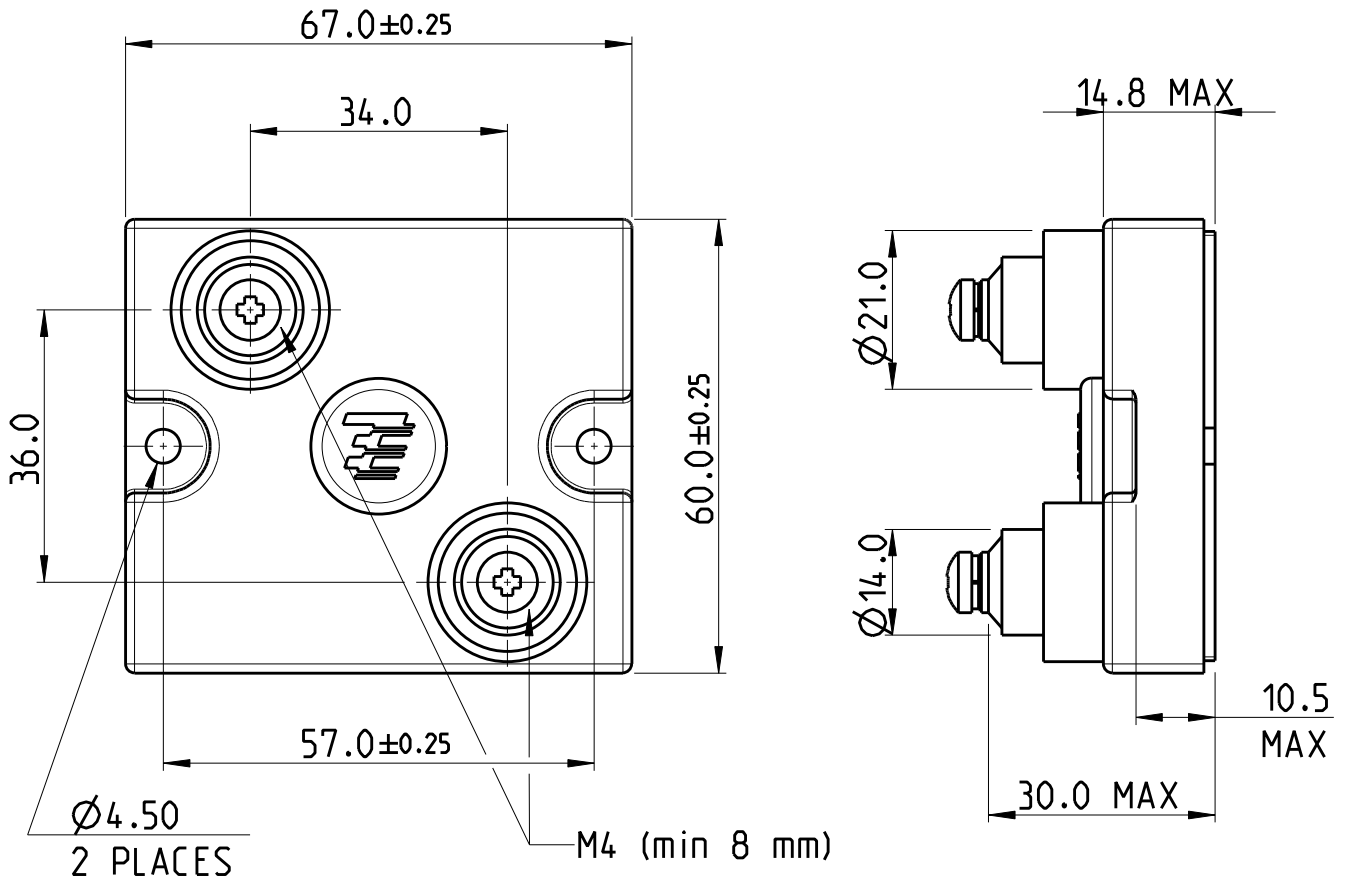


LOC	DIST	REVISIONS					
AI	-	P	LTR	DESCRIPTION	DATE	DWN	APVD
		A		NEW DRAWING	23FEB2012	DMS	ST.P



NOTE:

FOR FURTHER INFORMATION PLEASE SEE BDS 250 / 400 SERIES DATASHEET


2011

RELEASED FOR PUBLICATION

ALL RIGHTS RESERVED.

THIS DRAWING IS UNPUBLISHED.

© COPYRIGHT 2011

DIMENSIONS:	DWN	23FEB2012	MATERIAL	FINISH				
mm	DARSHAN MS		-	-				
TOLERANCES UNLESS OTHERWISE SPECIFIED:	CHK	23FEB2012	 TE Connectivity					
	ALLAN P							
0 PLC ± 1 PLC ±± 2 PLC ±±± 3 PLC ±±±± 4 PLC ±±±±± ANGLES ±°	APVD	23FEB2012	NAME THICK FILM POWER RESISTOR BDS 400 SERIES					
	STEPHEN.P							
	PRODUCT SPEC	-	SIZE	CAGE CODE	DRAWING NO	RESTRICTED TO		
	APPLICATION SPEC	-	A 4	00779	C-1879563	-		
	WEIGHT	185.29 Gram	CUSTOMER DRAWING		SCALE	SHEET	OF	REV
					1:1	1	1	A

单击下面可查看定价，库存，交付和生命周期等信息

[>>TE Connectivity\(泰科\)](#)