

4

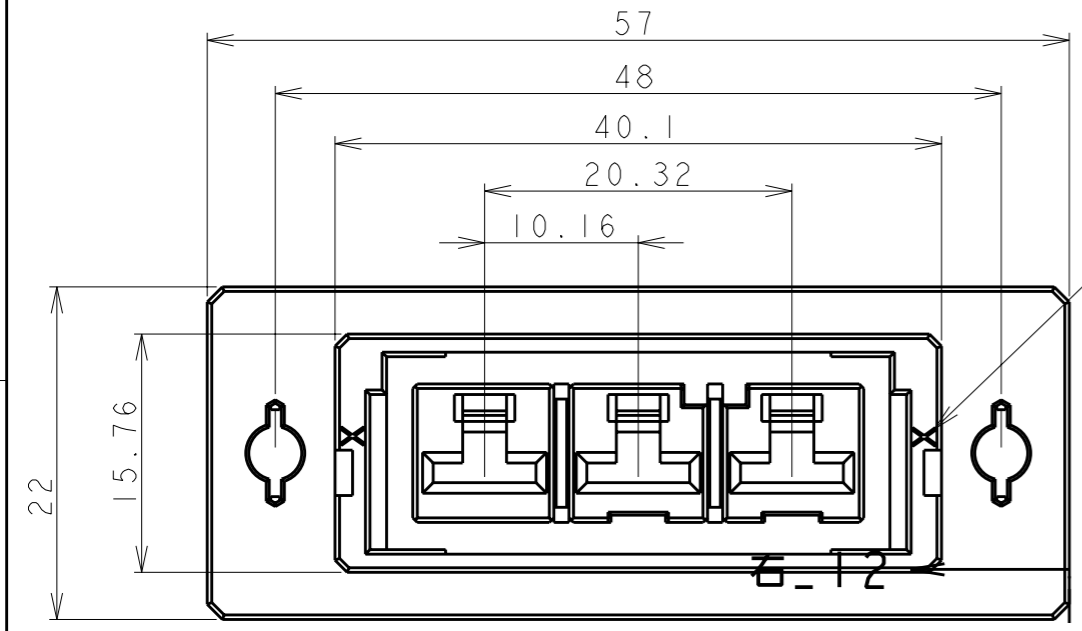
3

2

1

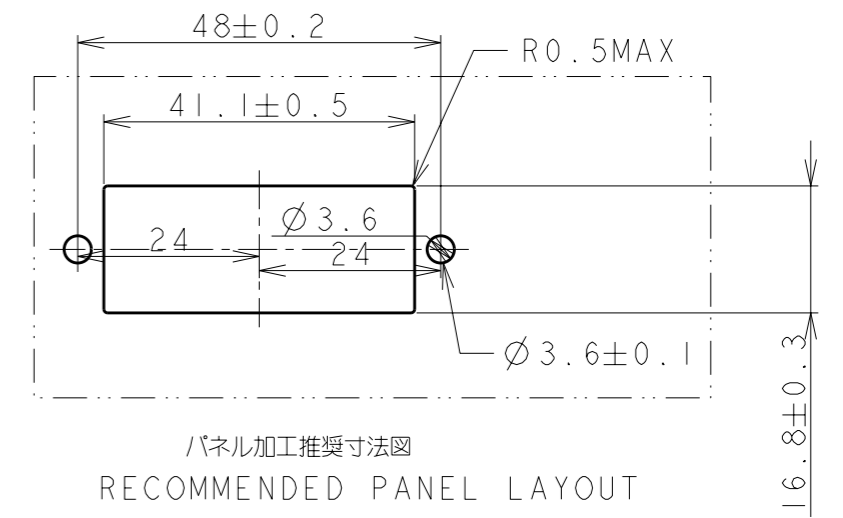
THIS DRAWING IS UNPUBLISHED. RELEASED FOR PUBLICATION 2007
 © COPYRIGHT 2007 BY TYCO ELECTRONICS CORPORATION. ALL INTERNATIONAL RIGHTS RESERVED.

LOC	DIST	REVISIONS					
		P	LTR	DESCRIPTION	DATE	DWN	APVD
J			D	REVISED PER ECR-10-017569	25AUG2010	HMR	T.M

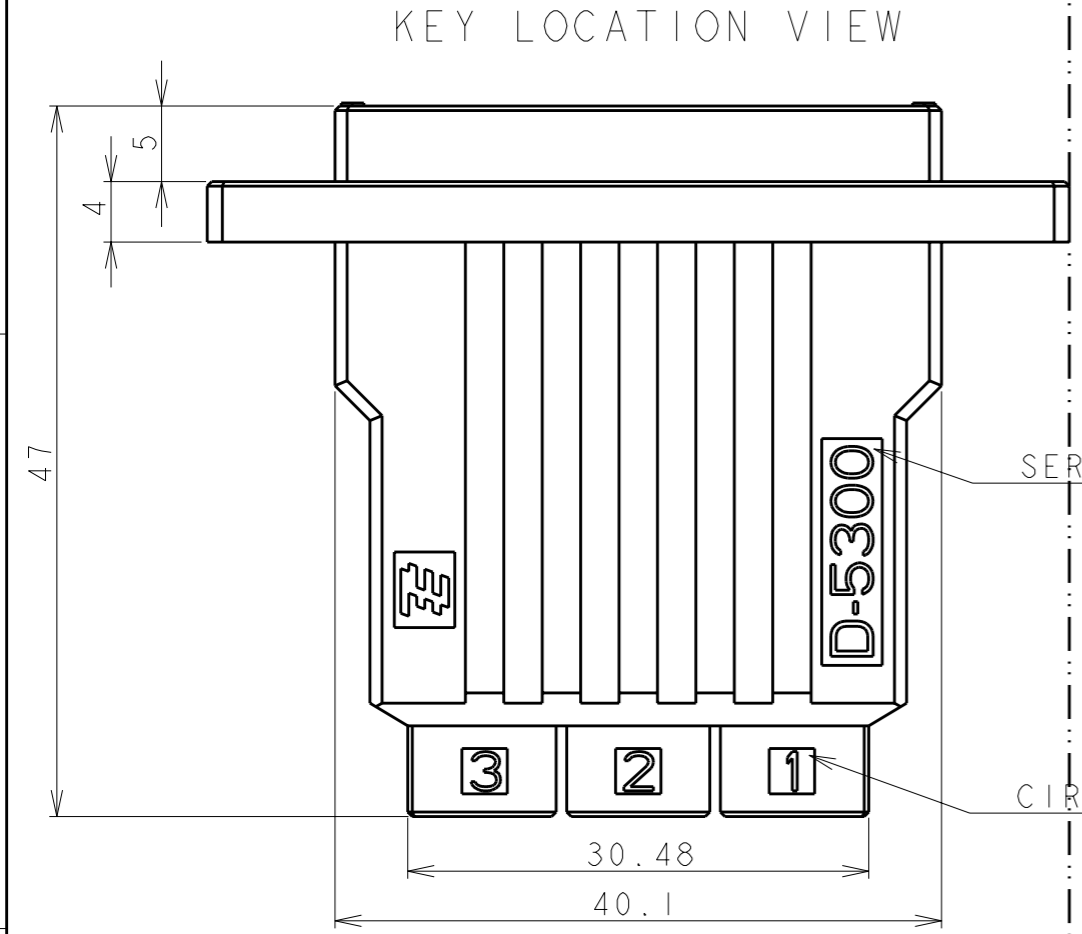


KEYING: X OR Y
 X: 1-1747821-3
 Y: 2-1747821-3

AS SHOWN: 1-1747821-3

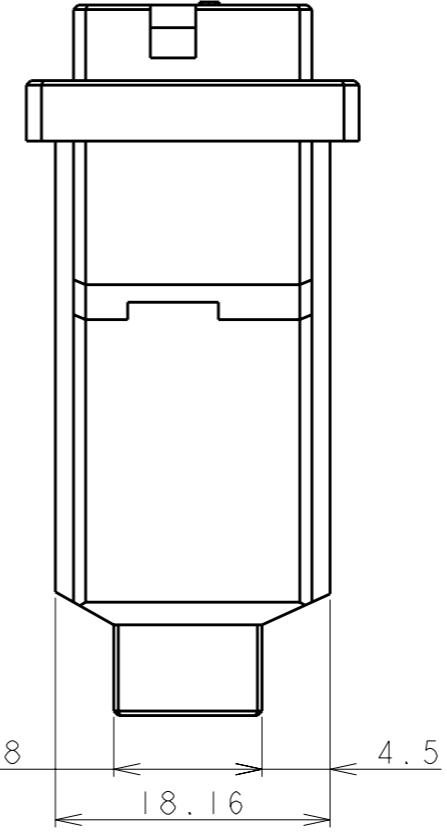


パネル加工推奨寸法図
 RECOMMENDED PANEL LAYOUT

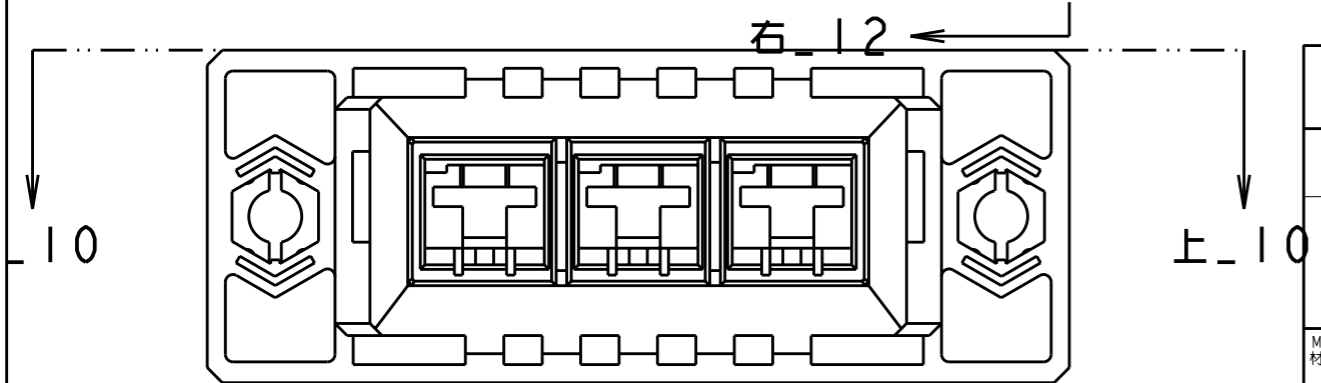
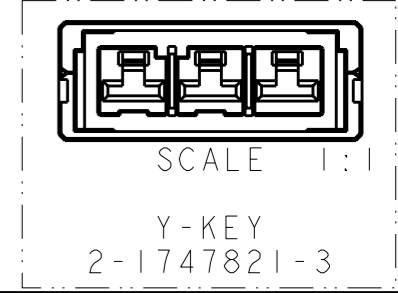


SERIES MARK

CIRCUIT NO



- 1. 材料: ガラス入り熱可塑性ポリエステル樹脂(94V-0)
色: 黒
- 2. パネル取り付け推奨ネジM3
- 1. MATERIAL: GLASS FILED THERMO PLASTIC
POLYESTER(94V-0)
COLOR: BLACK
- 2. PANEL ATTACHMENT RECOMMENDATION M3 SCREW



THIS DRAWING IS A CONTROLLED DOCUMENT FOR TYCO ELECTRONICS CORPORATION IT IS SUBJECT TO CHANGE AND THE CONTROLLING ENGINEERING ORGANIZATION SHOULD BE CONTACTED FOR THE LATEST REVISION.		DWN M. MAEBASHI 23MAR2007	Tyco Electronics Corporation Kawasaki, Japan	
DIMENSIONS: 単位: 耗 mm		CHK T. KUDO 23MAR2007	NAME DYNAMIC D5300S 10.16mm PITCH	
TOLERANCES UNLESS OTHERWISE SPECIFIED: 一般公差 ±0.3, ±3° 0-PLC ± 1-PLC ± 2-PLC ± 3-PLC ± 4-PLC ± ANGLES ±		APVD D. MITSUGI 23MAR2007	REC HSG 3POS	
MATERIAL 材料		PRODUCT SPEC 108-5453	REVERSE MOUNT / PANEL MOUNT TYPE	
FINISH 仕上		APPLICATION SPEC 取付適用規格 114-5206	SIZE A3	RESTRICTED TO
CUSTOMER DRAWING		WEIGHT	CAGE CODE 300779	DRAWING NO C-1747821
			SCALE 尺度	SHEET OF REV D

单击下面可查看定价，库存，交付和生命周期等信息

[>>TE Connectivity\(泰科\)](#)