
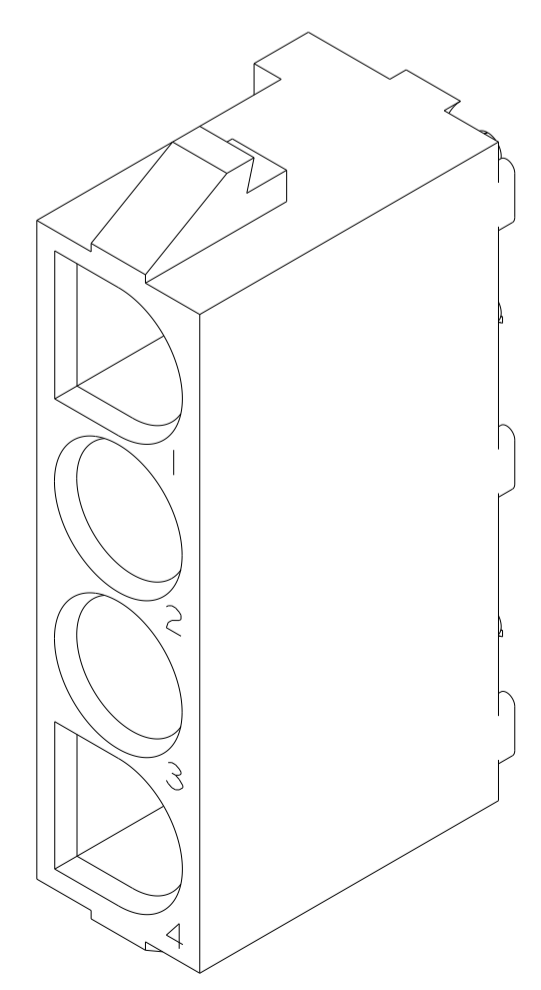
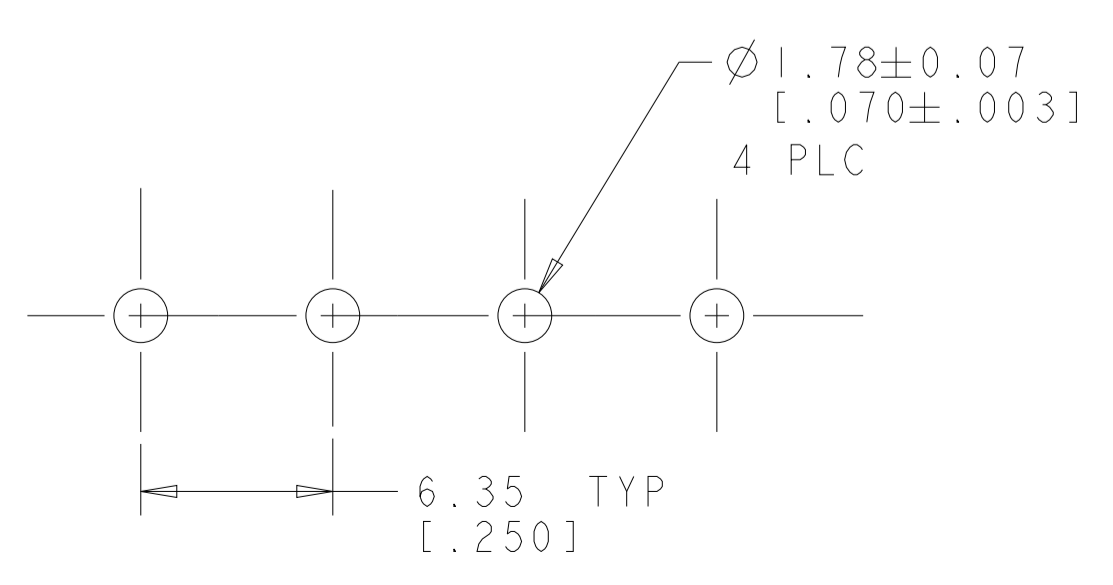
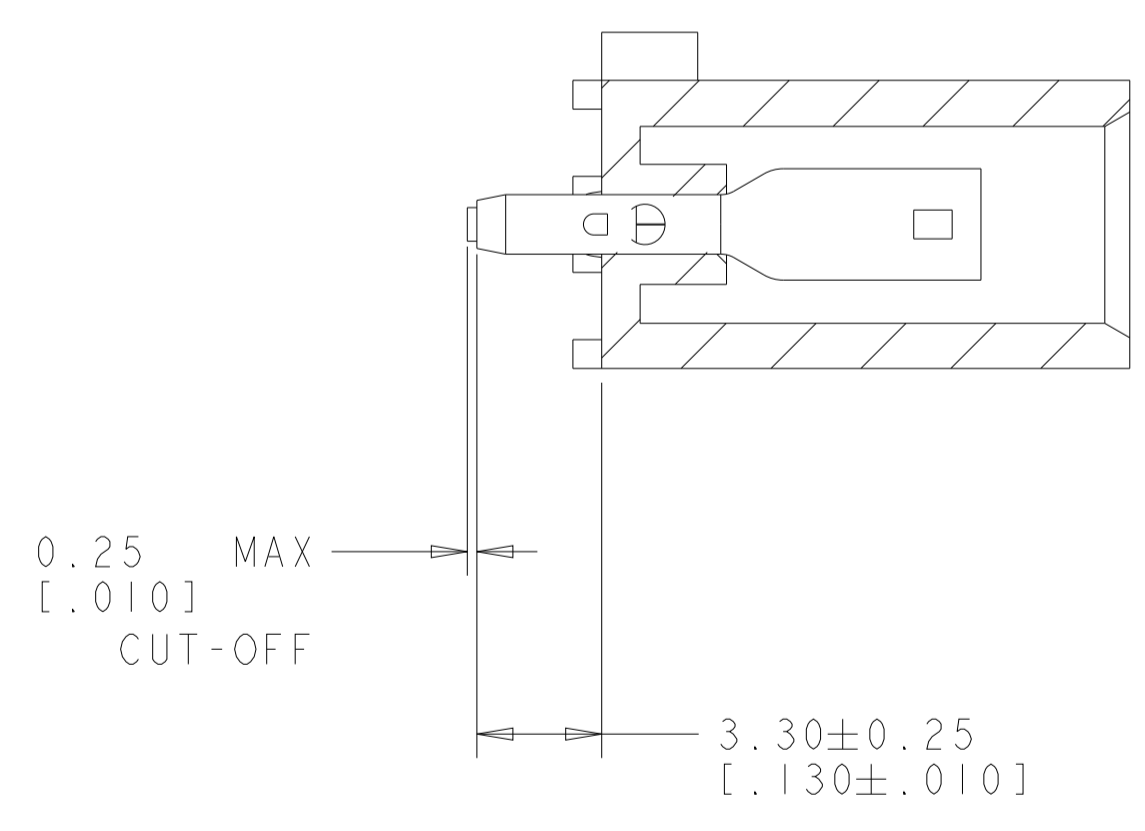
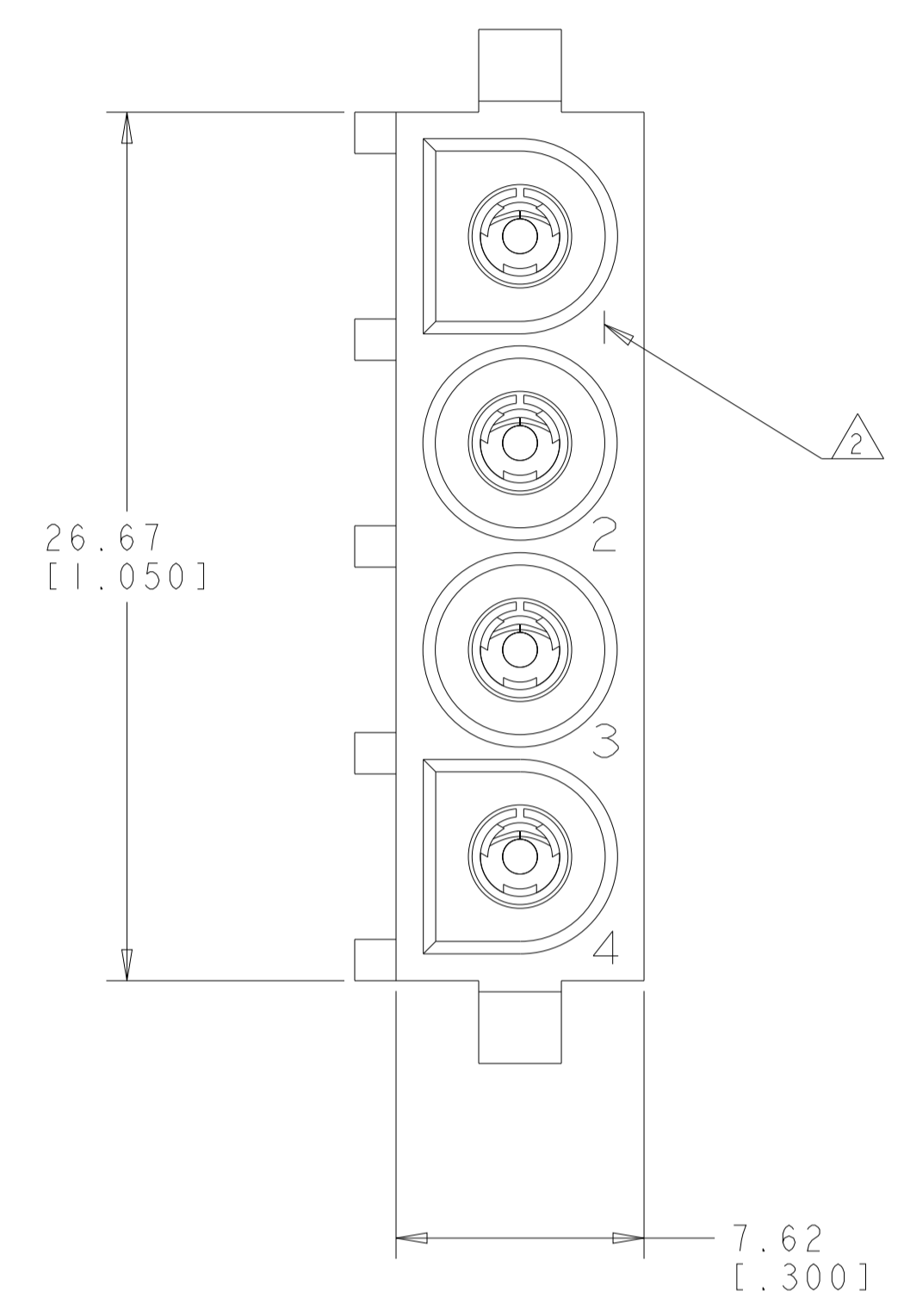
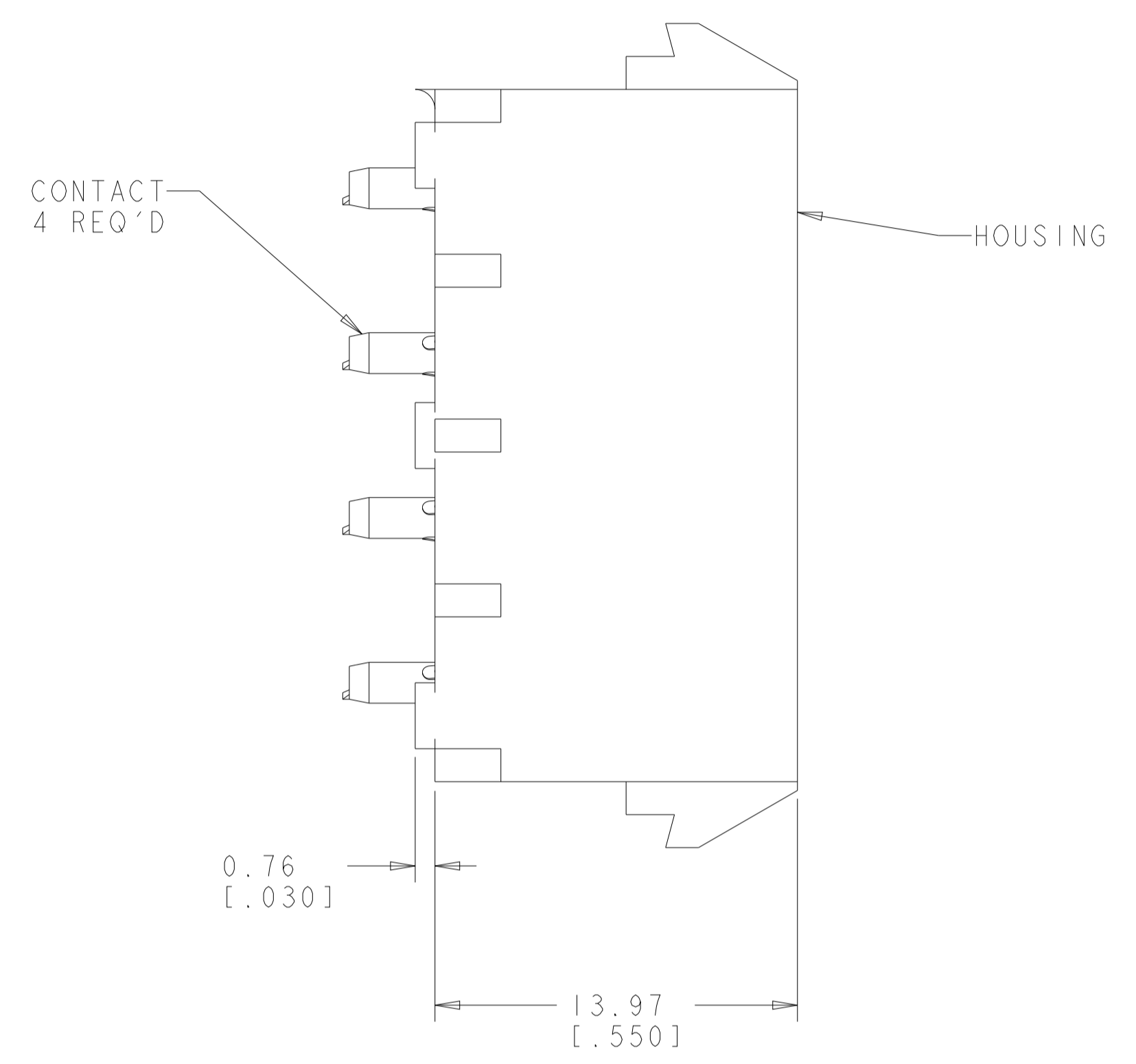
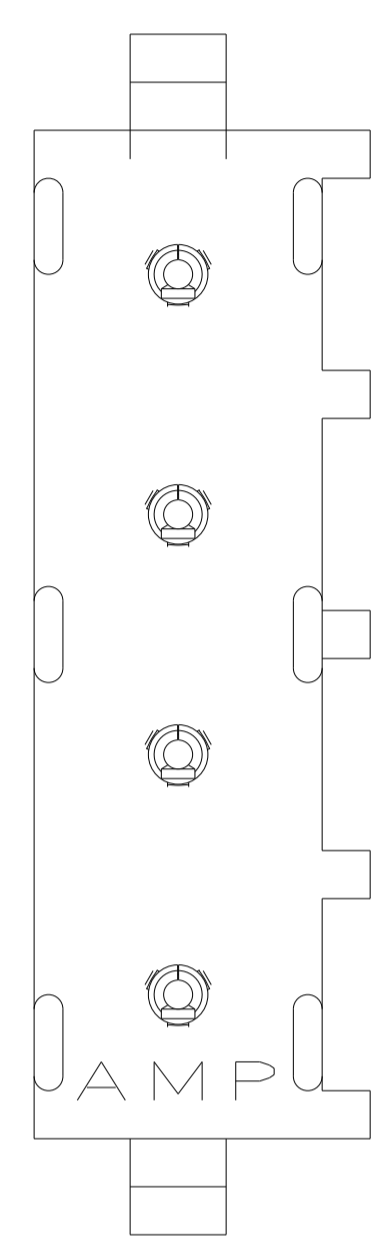


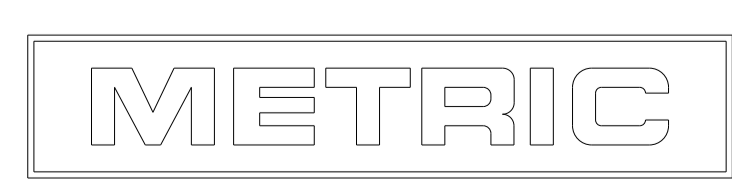
LOC	DIST	REVISIONS					
		P	LTN	DESCRIPTION	DATE	DWN	APVD
CM	00	A		RELEASED PER WR-07-123	25SEP2007	KW	DC
		A1		REVISED PER ECR-21-119230	08NOV2021	SS	VS

- PARTS COMPLY TO AMP SOLDERABILITY SPECIFICATION 109-11-2.
-  CIRCUIT IDENTIFICATION CHARACTERS ARE ADJACENT TO THE INDICATED CAVITIES, BUT LOCATION AND ORIENTATION MAY DIFFER FROM PRINT.
- DIMENSIONS SHOWN REPRESENT PRODUCT IN DRY CONDITION. ADDITIONAL 2% GROWTH DUE TO END USE LOCATION MOISTURE ABSORPTION MAY OCCUR AND SHOULD BE ACCOUNTED FOR.



3 DIMENSIONAL MODEL
SCALE 4:1

PHOSPOR BRONZE, PRE-TIN PIN CONTACT MATERIAL AND FINISH	NYLON, UL94V-0, NATURAL HOUSING MATERIAL AND COLOR	2029001-1 PART NUMBER
--	---	--------------------------



DIMENSIONS: mm [INCHES]		TOLERANCES UNLESS OTHERWISE SPECIFIED: 0 PLC ± 1 PLC ± 2 PLC ±0.131(.005) 3 PLC ± 4 PLC ± ANGLES ±40°30' FINISH SEE TABLE		DWN K. WHITAKER 25SEP2007 CHK D. COLEY 25SEP2007 APVD D. COLEY 25SEP2007 PRODUCT SPEC APPLICATION SPEC WEIGHT CUSTOMER DRAWING		Tyco Electronics Harrisburg, PA 17105-3608 NAME SOCKET HEADER ASSEMBLY, 4 CIRCUIT, SHORT TAIL, UNIVERSAL MATE-N-LOK(TM) SIZE CAGE CODE DRAWING NO RESTRICTED TO A1 00779 C=2029001 SCALE 5:1 SHEET 1 OF 1 REV A1	
------------------------------	--	--	--	--	--	--	--

单击下面可查看定价，库存，交付和生命周期等信息

[>>TE Connectivity\(泰科\)](#)