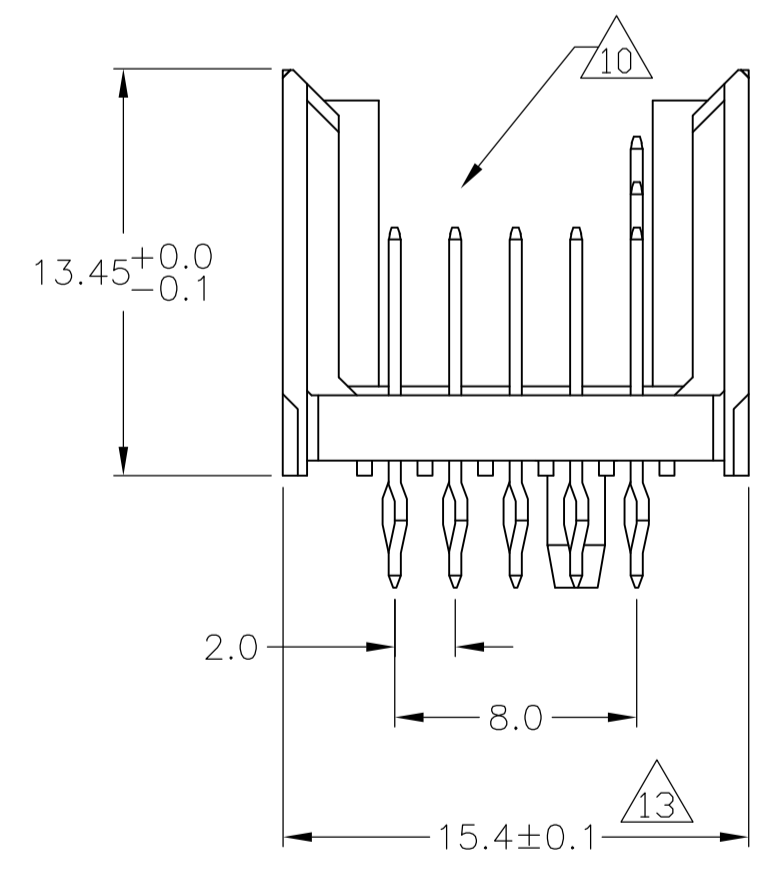
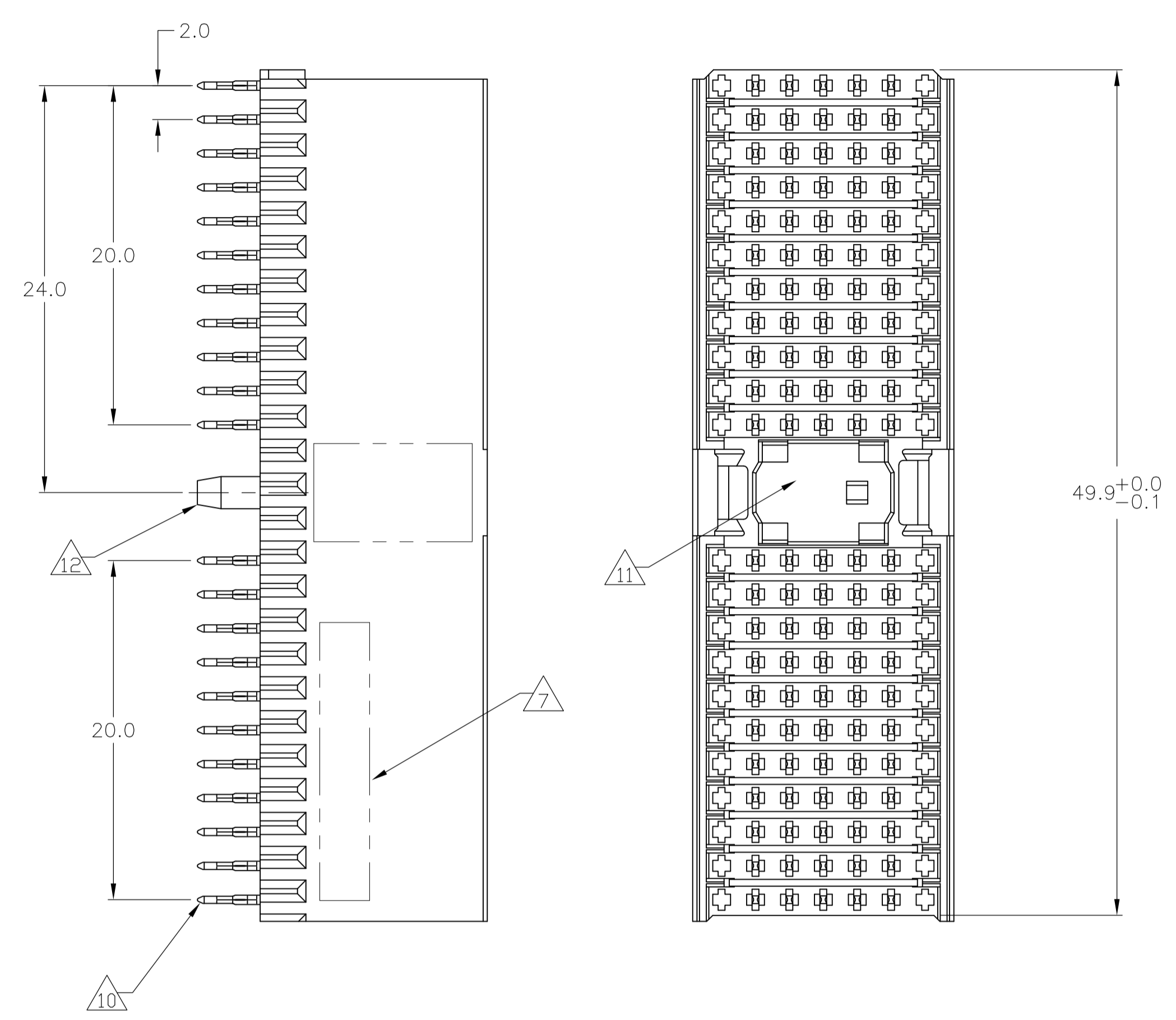
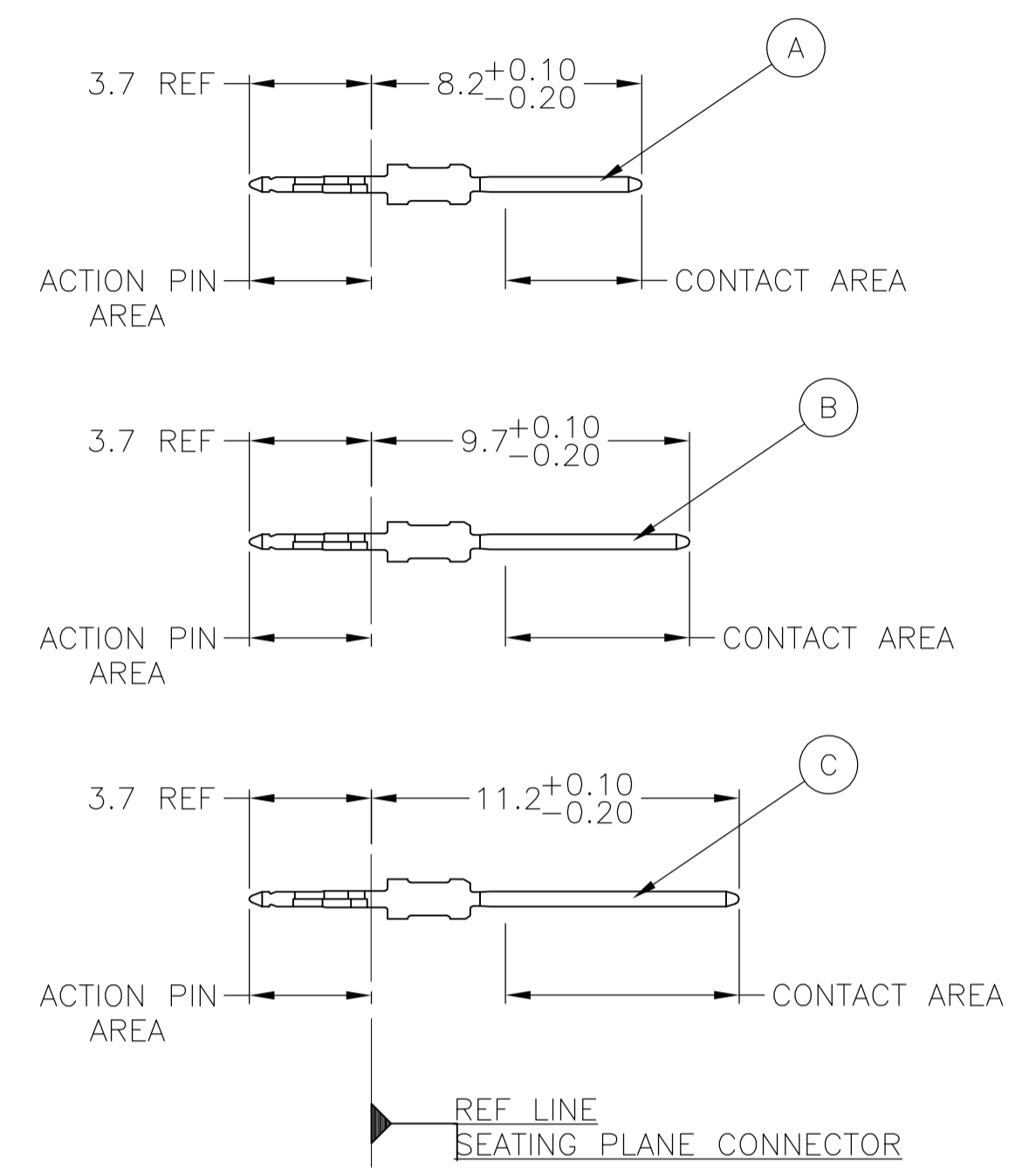


LOC		DIST		REVISIONS			
AD	00	REV	PER	EC	DATE	DMN	APVD
		0	REV	PER	EC	0512-0309-04	19MAY05 BC GS
		A	ECR	-10-019054			15SEP10 DP MQW

CONNECTOR ASSEMBLY EXAMPLARY LOADED



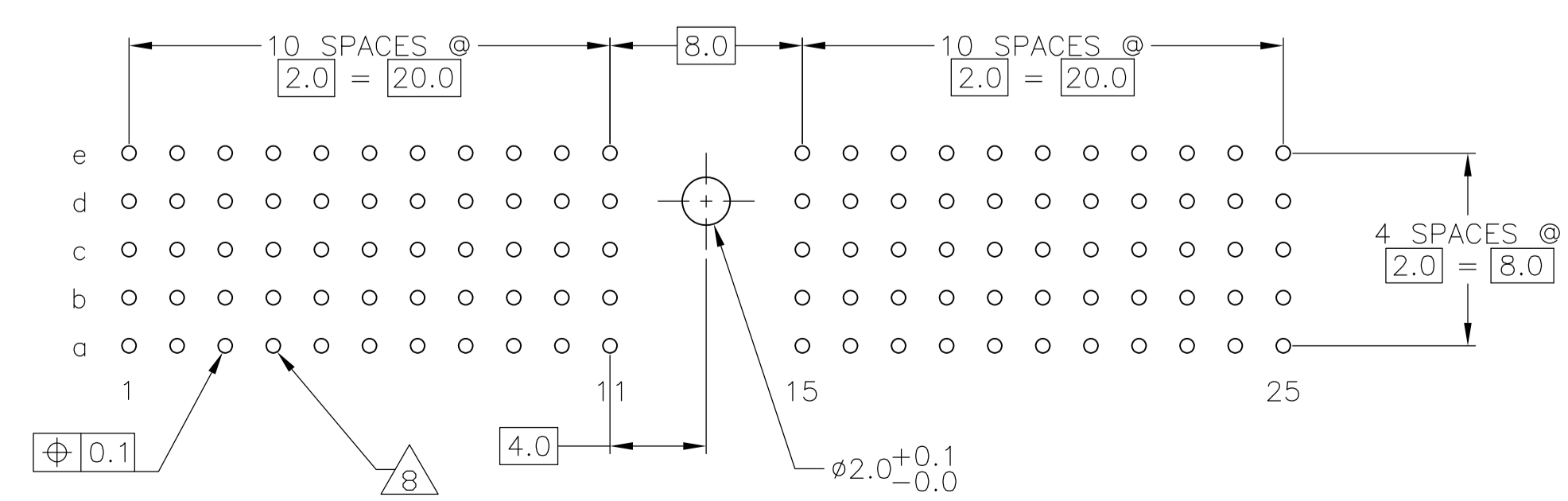
CONTACT DIMENSIONS SCALE 5:1



CONTACT LAYOUT

	z	a	b	c	d	e	f
1		A	A	A	A	C	
2		A	A	A	A	C	
3		A	A	A	A	C	
4		A	A	A	A	C	
5		A	A	A	A	C	
6		A	A	A	A	C	
7		A	A	A	A	C	
8		A	A	A	A	B	
9		A	A	A	A	B	
10		A	A	A	A	A	
11		A	A	A	A	A	
MULTI PURPOSE CENTER							
15		A	A	A	A	A	
16		A	A	A	A	A	
17		A	A	A	A	A	
18		A	A	A	A	A	
19		A	A	A	A	A	
20		A	A	A	A	A	
21		A	A	A	A	A	
22		A	A	A	A	A	
23		A	A	A	A	A	
24		A	A	A	A	A	
25		A	A	A	A	A	

RECOMMENDED PCB-HOLE LAYOUT COMPONENT SIDE SHOWN



PLATED THRU HOLES PARAMETERS REFERENCE APPLICATION SPECIFICATION

2	6	14	1-6377329-9
2	5	14	6377329-9
2	4		6377329-4
2	3		6377329-1
FINISH			PART NUMBER

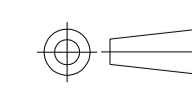
THIS DRAWING IS A CONTROLLED DOCUMENT.

DIMENSIONS: mm	TOLERANCES UNLESS OTHERWISE SPECIFIED:	DIN B CARBO 19MAY05	Tyco Electronics Corporation Harrisburg, Pa 17105-3608
0-PLC ±	1-PLC ±0.1	CHK G SKIPPER 19MAY05	APVD G SKIPPER 19MAY05
2-PLC ±	3-PLC ±	NAME MALE ASSEMBLY, Z-PACK 2mm HM, TYPE A	
4-PLC ±	ANGLES ±	APPLICATION SPEC 108-19082	
MATERIAL 1	FINISH SEE TABLE	SIZE A1	CAGE CODE 00779
		WEIGHT	DRAWING NO 6377329
		CUSTOMER DRAWING	

SCALE 4:1 SHEET 1 OF 2 REV A

LOC	DIST	REVISIONS			
P	LTR	DESCRIPTION	DATE	DN	APVO
AD	00	SEE SHEET 1	-	-	-

- 1 MATERIAL:
CONTACT: PHOSPHOR BRONZE.
HOUSING: GLASS-FILLED POLYESTER.
- 2 GENERAL PLATING SPECIFICATION: UNDERPLATING
(ENTIRE CONTACT): 1.27µm MIN NICKEL AND ACTION
PIN: 0.5µm MIN TIN.
FOR PLATING OF MATING SURFACES SEE APPLICABLE
SPECIFICATION REFERENCE FOR EACH DASH NUMBER.
- 3 CONFORMS TO ALL TESTING ACCORDING TO IEC 61076-4-101
PERFORMANCE LEVEL 2.
- 4 CONFORMS TO ALL TESTING ACCORDING TO IEC 61076-4-101
PERFORMANCE LEVEL 1.
- 5 CONNECTOR TESTED AND QUALIFIED AGAINST TELCORDIA GR-1217-CORE QUALITY LEVEL 3,
CENTRAL OFFICE APPLICATIONS.
- 6 CONNECTOR TESTED AND QUALIFIED AGAINST TELCORDIA GR-1217-CORE QUALITY LEVEL 3,
UNCONTROLLED ENVIROMENT APPLICATIONS.
- 7 CONNECTOR MARKED WITH PART NUMBER AND DATE CODE.
ADDITIONAL CHARACTERS OR MARKINGS, AS WELL AS THE LOCATION OF THE MARKINGS,
MAY BE ADDED FOR TRACEABILITY BASED UPON MANUFACTURERS DISCRETION.
- 8 PLATED-THROUGH HOLES AT 2x2mm SQUARE GRID
PATTERN DEFINED BY CONTACT LAYOUT.
- 9 FOR ACTUAL PIN LOADING SEE "CONTACT LAYOUT".
- 10 FOR ACTUAL PIN DIMENSIONS SEE "CONTACT DIMENSIONS".
- 11 AREA RESERVED FOR KEYING PART (BASIC P/N 100525)
- 12 POLARIZATION FEATURE.
- 13 TO BE MEASURED AT BOTTOM OF SHROUD.
- 14 CONNECTOR LUBRICATED WITH BELCORE APPROVED LUBRICANT,
TECHNICAL REFERENCE: TR-NWT-001217 ISSUE 1, SEP 1992.

THIS DRAWING IS A CONTROLLED DOCUMENT.		DIN B CARBO 19MAY05		Tyco Electronics Corporation Harrisburg, Pa 17105-3608	
DIMENSIONS: mm		TOLERANCES UNLESS OTHERWISE SPECIFIED: 0-PLC ± 1-PLC ±0.1 2-PLC ± 3-PLC ± 4-PLC ± ANGLES ±		APVO G SKIPPER 19MAY05	
		±0.2		NAME MALE ASSEMBLY, Z-PACK 2mm HM, TYPE A	
MATERIAL SEE SHEET 1		FINISH SEE SHEET 1		PRODUCT SPEC 108-19082	
		APPLICATION SPEC 114-19029		RESTRICTED TO	
		WEIGHT -		SIZE A1	
		CUSTOMER DRAWING		CAGE CODE 00779	
		SCALE 4:1		DRAWING NO 6377329	
		SHEET 2 OF 2		REV A	

单击下面可查看定价，库存，交付和生命周期等信息

[>>TE Connectivity\(泰科\)](#)