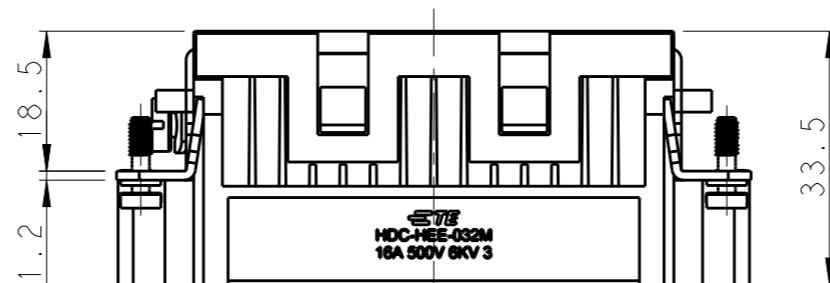
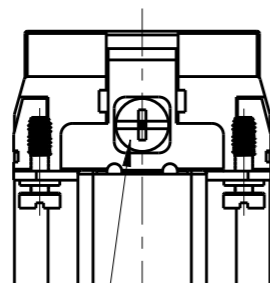
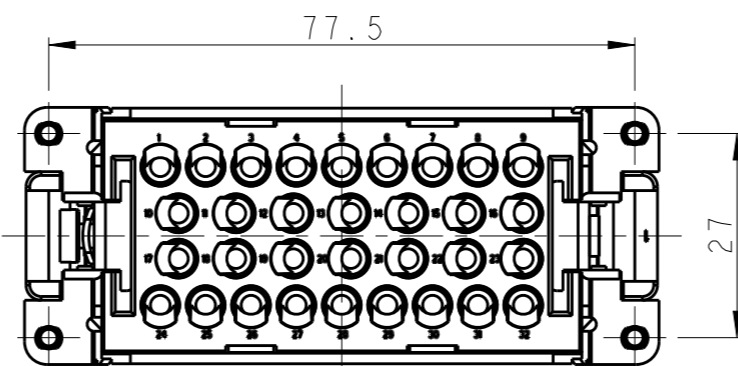
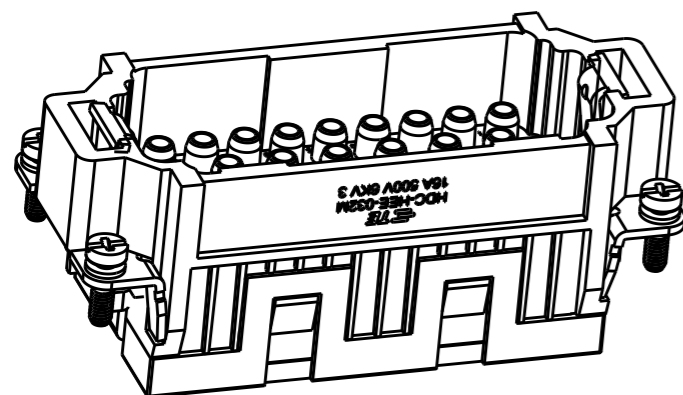
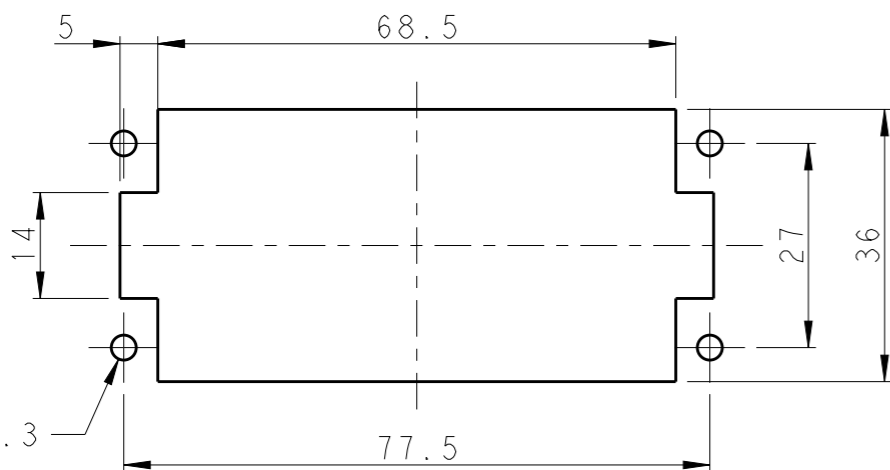
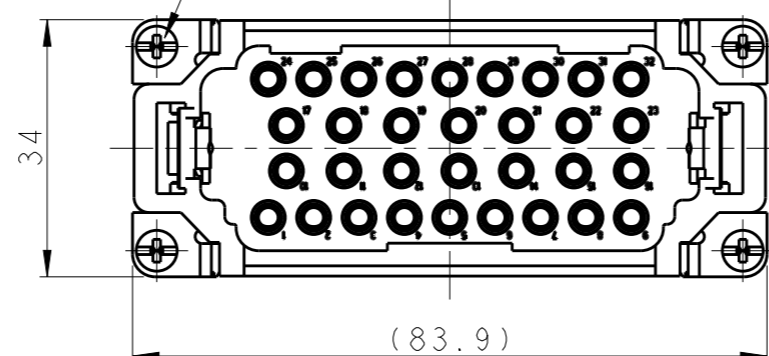


REVISIONS					
P	LTR	DESCRIPTION	DATE	DWN	APVD
	A	INITIAL RELEASE	07SEP2017	YC	CW



M4 SCREW, RECOMMENDED  
 TIGHTENING TORQUE 1.2N.m  
 M4螺丝, 推荐锁紧力矩1.2N.m

4X M3 SCREW, RECOMMENDED  
 TIGHTENING TORQUE 0.5N.m  
 4X M3螺丝, 推荐锁紧力矩0.5N.m



PANEL CUT FOR INSERTS FOR USE  
 WITHOUT HOODS/ HOUSINGS  
 不使用防护外壳时芯件的安装开孔图

NOTES:

- TECHNICAL CHARACTERISTICS:  
 INSULATION MATERIAL: PC  
 RATED VOLTAGE: 500V  
 RATED CURRENT: 16A  
 INSULATION RESISTANCE:  $\geq 400M\Omega$   
 RATED IMPULSE VOLTAGE: 6KV  
 POLLUTION DEGREE: 3  
 FLAMMABILITY: UL94V-0  
 MATING CYCLES: 500 CYCLES  
 WIRE RANGE: 0.14-4 mm<sup>2</sup> (26-12 AWG)  
 CONTACT TYPE: CRIMP CONTACT
- CONTACT NEED TO BE ORDERED SEPARATELY.  
 (ORDER No. REFER TO DRAWING:T20300X10XX000)

注释:

- 技术参数:  
 绝缘材料: PC  
 额定电压: 500V  
 额定电流: 16A  
 绝缘电阻:  $\geq 400M\Omega$   
 额定脉冲电压: 6KV  
 污染等级: 3  
 阻燃等级: UL94V-0  
 插拔次数: 500次  
 接线范围: 0.14-4 mm<sup>2</sup> (26-12 AWG)  
 接线类型: 冷压接
- 端子需要单独订购。  
 (订货号参考图面: T20300X10XX000)

T2050322101-007	HEE-032-M	HEE-032 MALE INSERT HEE-032 公插
PART NUMBER 料号	PART DESCRIPTION 描述	

THIS DRAWING IS A CONTROLLED DOCUMENT.		DWN 07SEP2017 YORK CHEN	TE Connectivity	
DIMENSIONS: mm		CHK 07SEP2017 GINO YAO		
TOLERANCES UNLESS OTHERWISE SPECIFIED:		APVD 07SEP2017 CHRIS WANG	NAME HEE-032-M	
0 PLC ±-		PRODUCT SPEC 108-106137	SIZE A3	
1 PLC ±-		APPLICATION SPEC 114-106137	CAGE CODE 00779	DRAWING NO T2050322101007
2 PLC ±--		WEIGHT -	RESTRICTED TO -	
3 PLC ±-		CUSTOMER DRAWING	SCALE 1:1	SHEET 1 OF 1
4 PLC ±-				REV A
ANGLES ±-				
FINISH				

单击下面可查看定价，库存，交付和生命周期等信息

[>>TE Connectivity\(泰科\)](#)