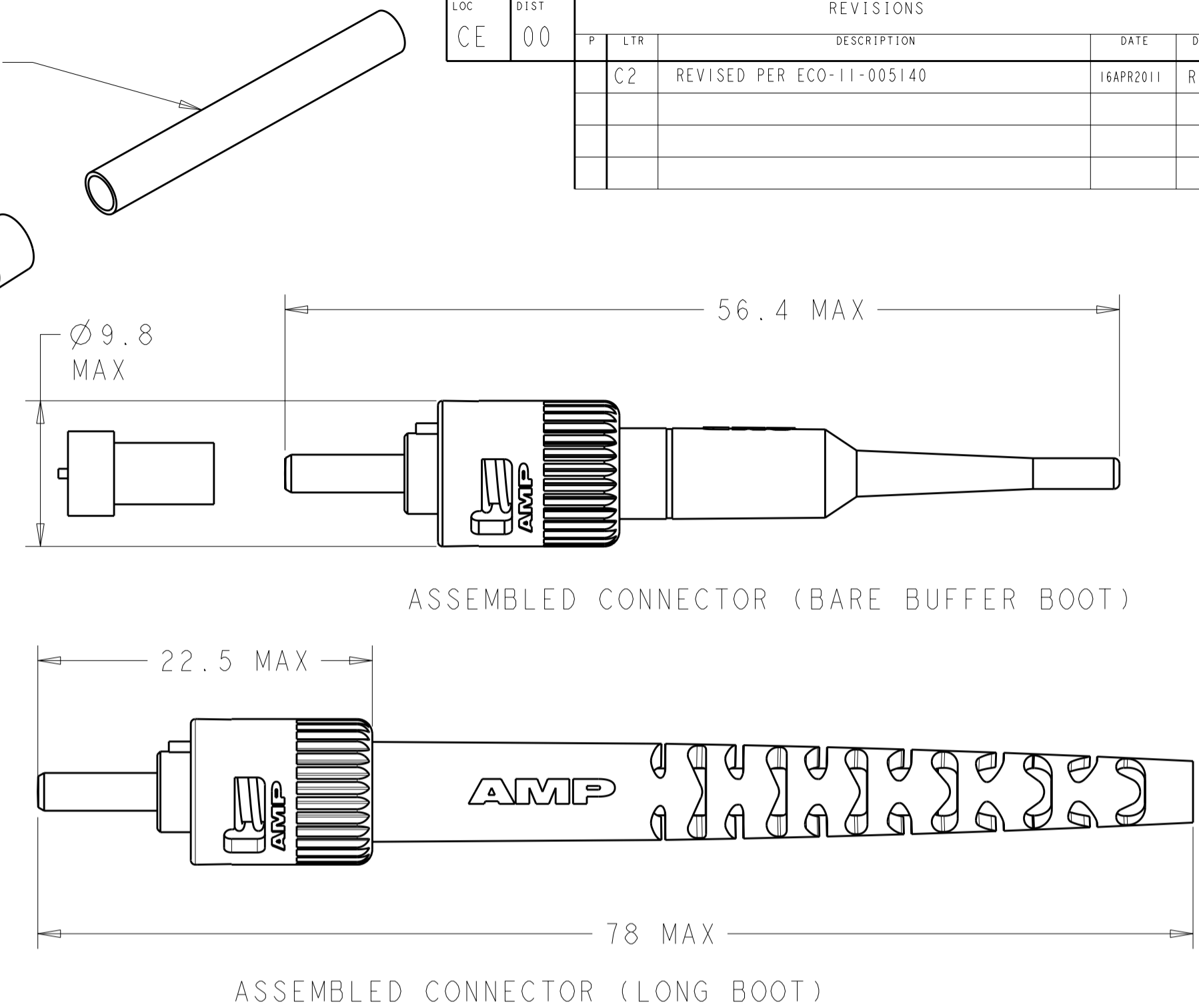
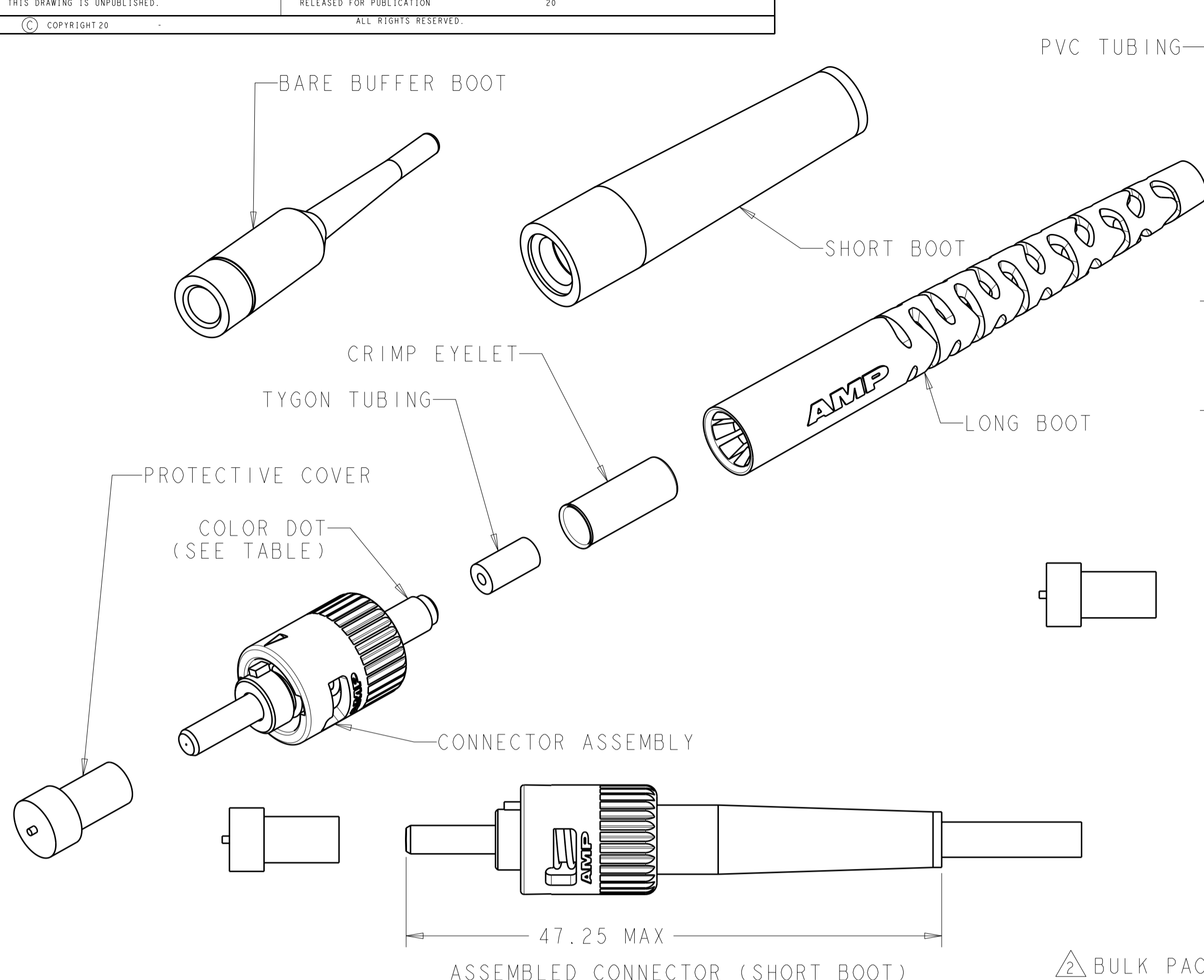


THIS DRAWING IS UNPUBLISHED. RELEASED FOR PUBLICATION 20
 © COPYRIGHT 20 ALL RIGHTS RESERVED.

REVISONS				
P	LTR	DESCRIPTION	DATE	DWN APVD
C2		REVISED PER ECO-11-005140	16APR2011	RK HMR



2 BULK PACKAGE.

3. INSTRUCTION SHEET: 408-9971 AVAILABLE FOR DOWNLOAD AT www.tycoelectronics.com/documents OR www.ampnetconnect.com/foguide.

1 MATERIAL:
 PROTECTIVE COVER: LDPE, COLOR: BLACK, NON-FR.
 CONNECTOR ASSEMBLY:
 FERRULE ASSEMBLY: CERAMIC/NICKEL PLATED BRASS.
 SPRING: STAINLESS STEEL.
 COUPLING NUT: ZINC.
 RETENTION RING: STAINLESS STEEL.
 CRIMP EYELET: TIN PLATED COPPER.
 LONG BOOT: TPE, UL94 HB RATED AT QUALIFYING THICKNESS, SEE DASH NUMBER FOR COLOR.
 SHORT BOOT: TPE, UL94 V-0 RATED AT QUALIFYING THICKNESS, SEE DASH NUMBER FOR COLOR.
 BUFFER BOOT: TPE, UL94 V-0 RATED AT QUALIFYING THICKNESS, SEE DASH NUMBER FOR COLOR.
 TYGON TUBING: TYGON, COLOR: CLEAR.
 PVC TUBING: PVC, COLOR: BLACK, NON-FR.

DESCRIPTION	BOOT COLOR	COLOR DOT	FIBER SIZE	PART NUMBER
SHORT BOOT	BLACK	-	125um	2-5501380-0
SHORT BOOT	BLACK	-	125um	1-5501380-6
LONG BOOT	BLACK	GREEN	140um	5501380-6
BARE BUFFER AND LONG BOOT	BLACK	-	125um	5501380-1

THIS DRAWING IS A CONTROLLED DOCUMENT.		DWN B. BRIGGS 27APR2005	STE TE Connectivity	
DIMENSIONS: mm		CHK S. BUCHTER 27APR2005		
TOLERANCES UNLESS OTHERWISE SPECIFIED:		APVD S. BUCHTER 27APR2005	NAME CONNECTOR KIT, 2.5mm BAYONET	
0 PLC ±		PRODUCT SPEC	SIZE CAGE CODE DRAWING NO RESTRICTED TO	
1 PLC ±		APPLICATION SPEC	A200779C-5501380	
2 PLC ±		WEIGHT	SCALE 3:1 SHEET 1 OF 1 REV C2	
3 PLC ±		MATERIAL		
4 PLC ±		CUSTOMER DRAWING		
ANGLES ±				
FINISH				

单击下面可查看定价，库存，交付和生命周期等信息

[>>TE Connectivity\(泰科\)](#)