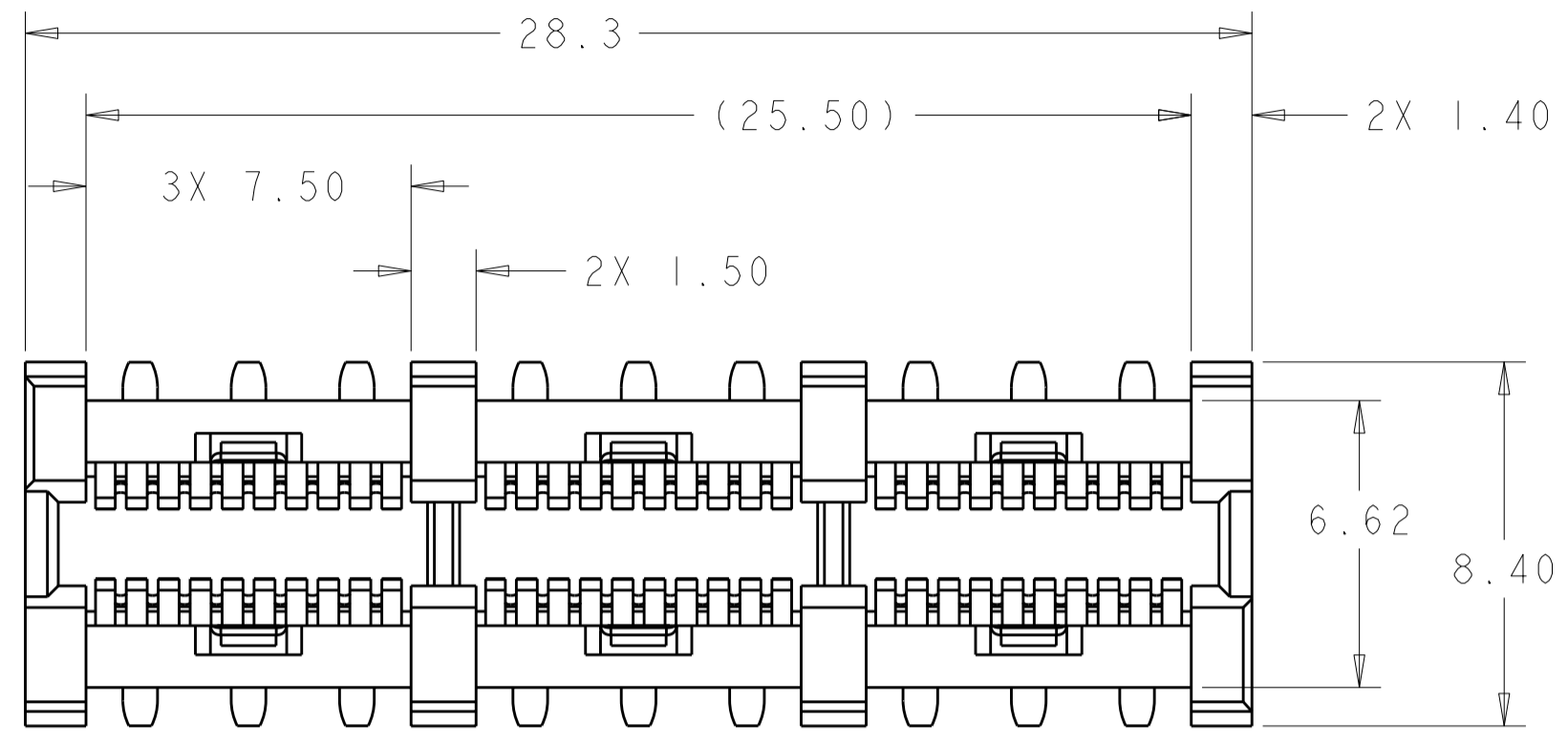


THIS DRAWING IS UNPUBLISHED. RELEASED FOR PUBLICATION 20
 © COPYRIGHT 20 BY TYCO ELECTRONICS CORPORATION. ALL RIGHTS RESERVED.

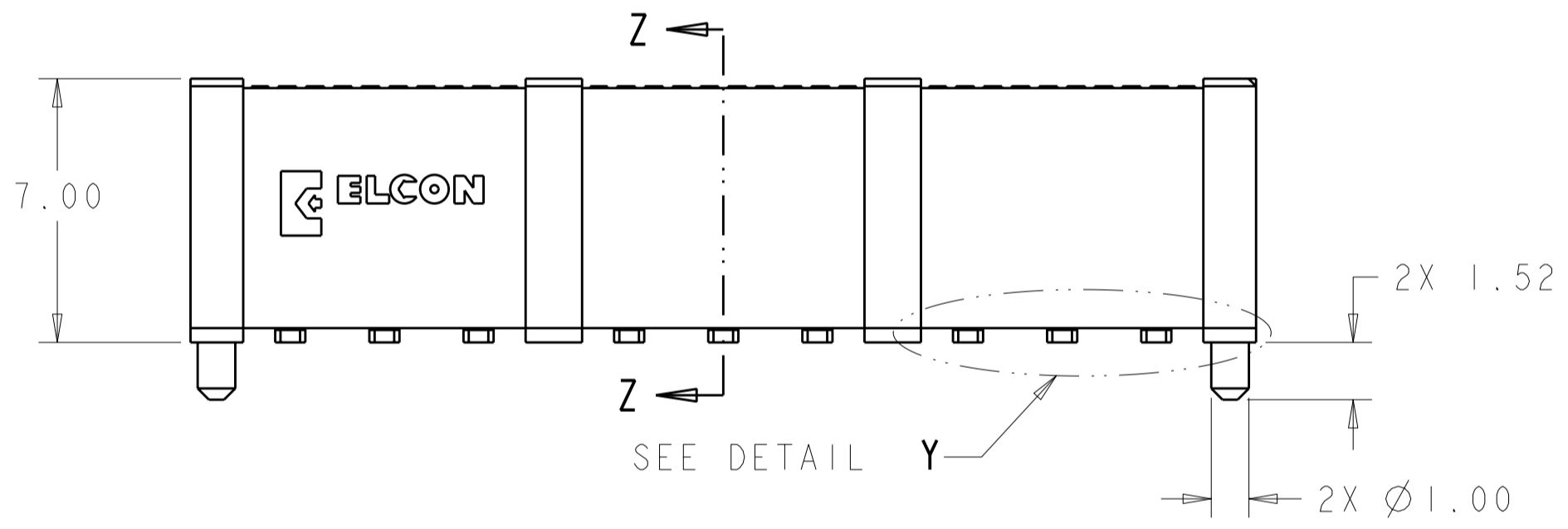
LOC		DIST		REVISIONS			
P	LTR	DESCRIPTION	DATE	DWN	APVD		
GP	00	C	REV PER ECO-08-028530	30JAN2009	RG	PD	



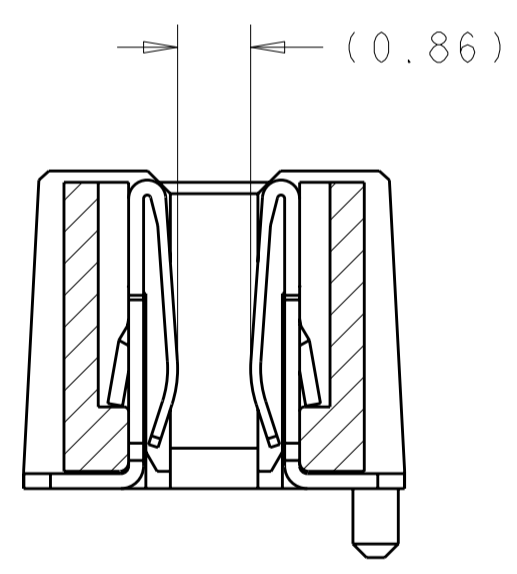
- PART NUMBER CHANGES AND/OR DESIGN CHANGES AFFECTING ITEM INTERCHANGEABILITY REQUIRE PRIOR TYCO ELECTRONICS APPROVAL AND AUTHORIZATION BY REVISION TO THIS DRAWING.
- MATERIAL:
 INSULATORS - THERMOPLASTIC, GLASS REINFORCED, COLOR: BLACK
 UL94V-0 FLAMMABILITY RATED
 CONTACT - COPPER ALLOY
- FINISH:
 CONTACT - GOLD PLATE 0.76µm MIN THK. OVER
 NICKEL 1.27µm MIN THK.
 SOLDER PADS - TIN PLATE 3.05 - 3.81µm THK. OVER
 NICKEL 1.27µm MIN THK.
- ITEMS PROVIDED TO THIS SPECIFICATION TO BE PERMANENTLY IDENTIFIED PER THE FOLLOWING IDENTIFIER:
 YEAR WEEK

TYCO ELECTRONICS P/N DATE CODE (e.g. 0325)
 XXXXXXX-X XXXX

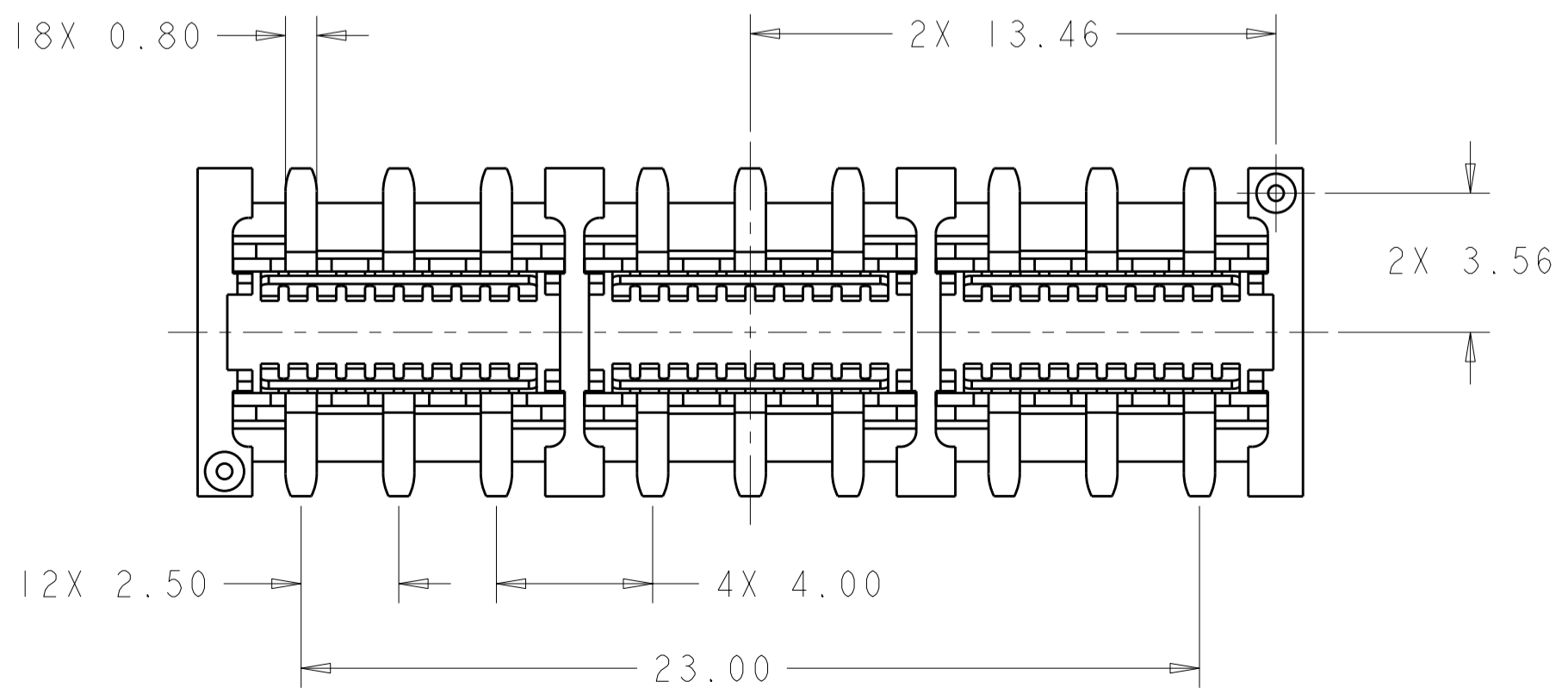
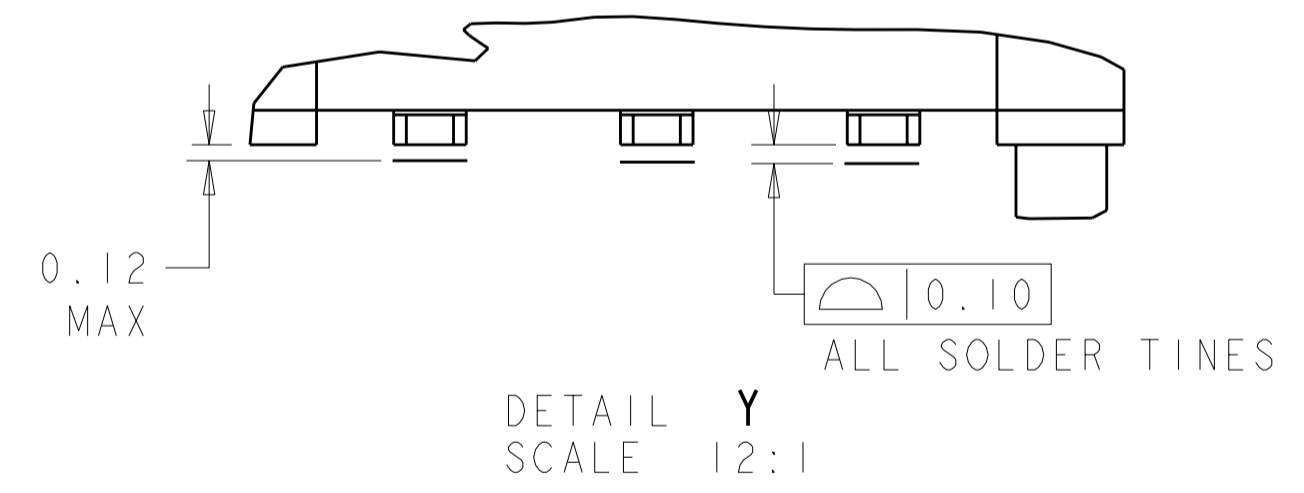
5. THIS CONNECTOR MATES WITH BLADE CONNECTOR P/N 6651711-1 AND 1926785-1



P/N 6651712-1
 AS SHOWN



SECTION Z-Z
 SCALE 6:1

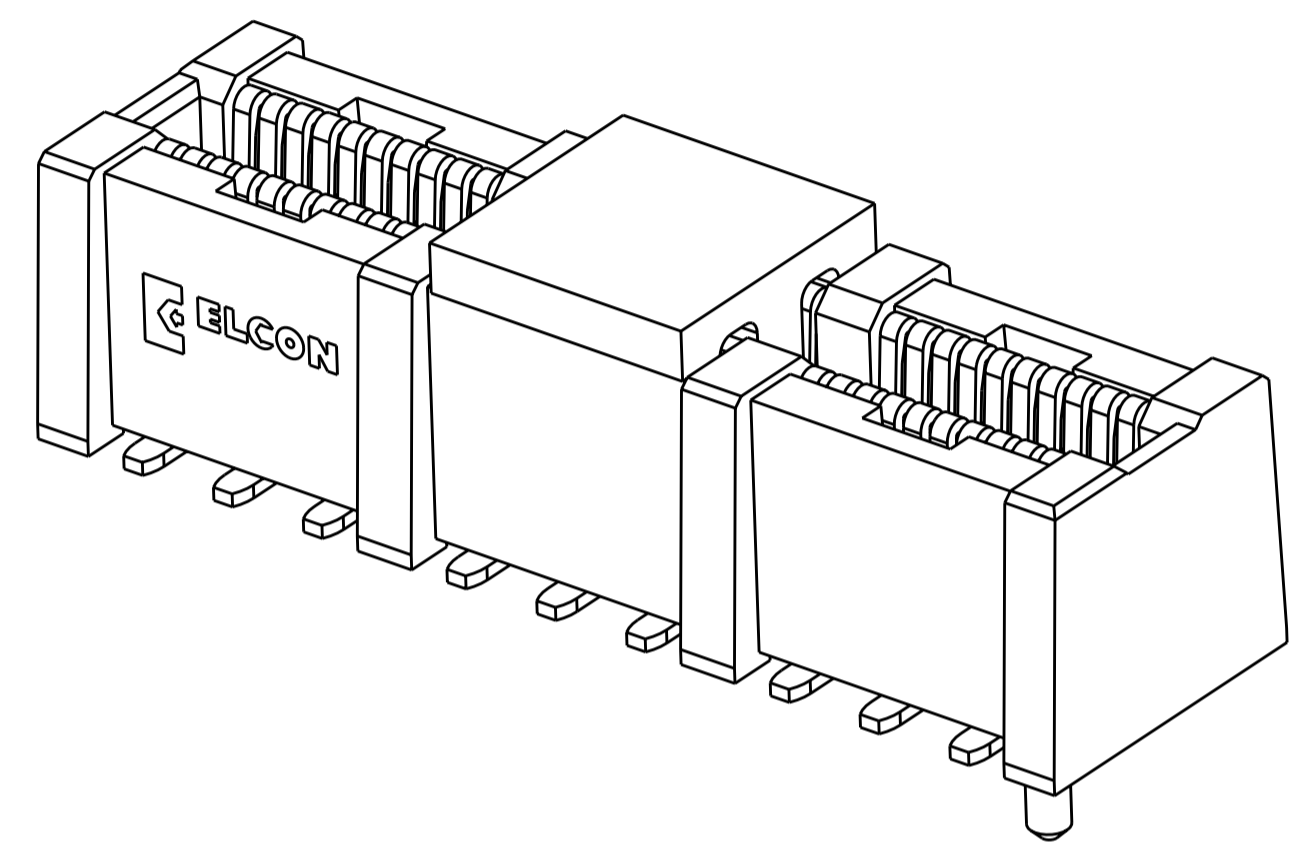
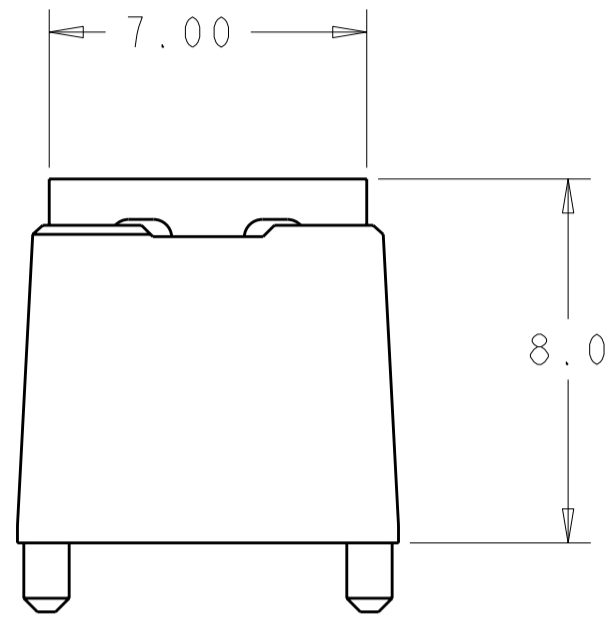
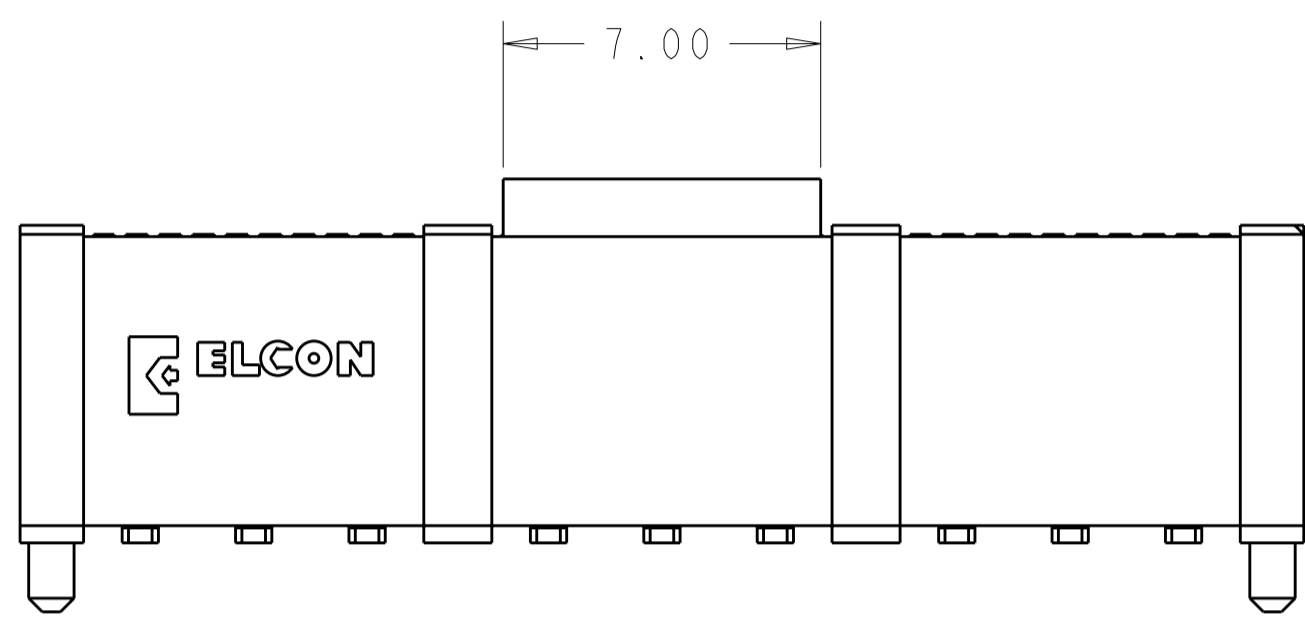


W/VACUUM CAP	6651712-2
INDIVIDUAL	6651712-1
DESCRIPTION	PART NO.

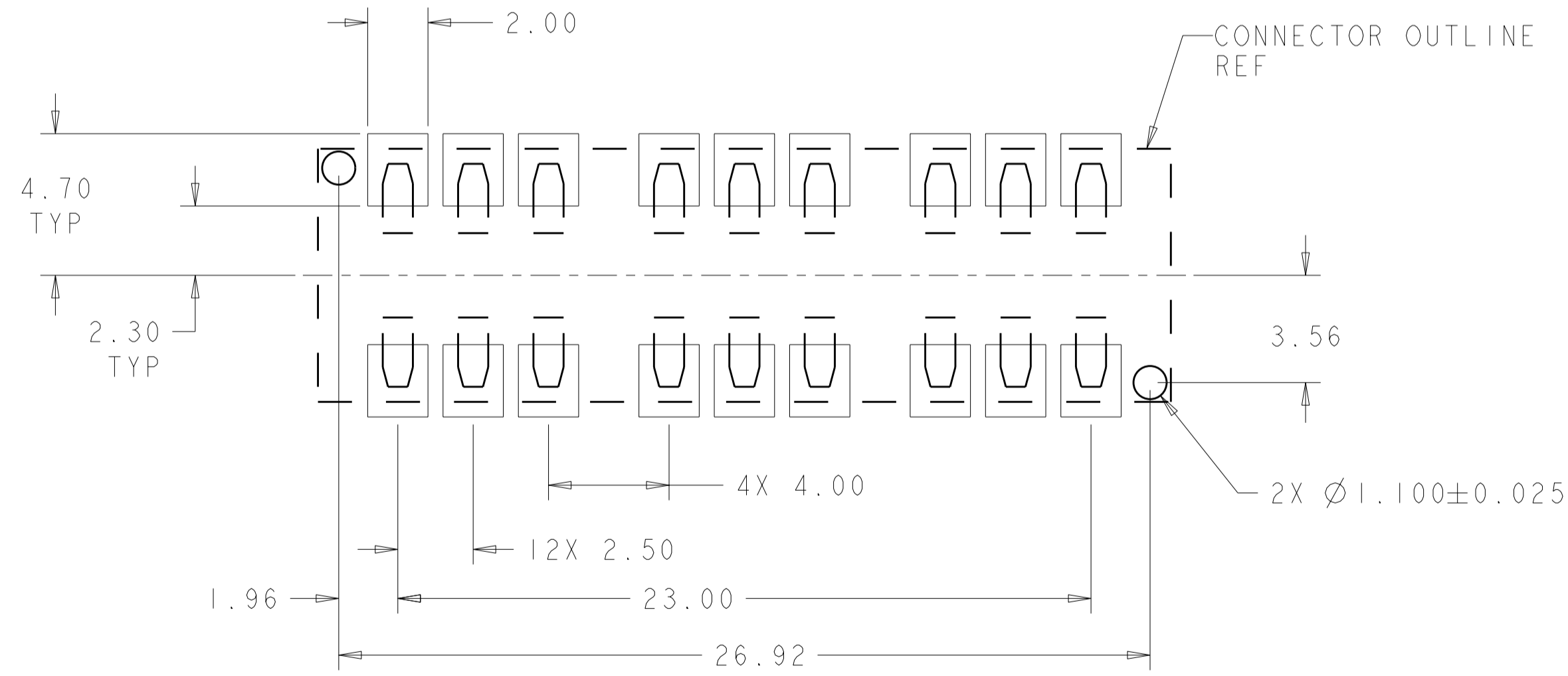
THIS DRAWING IS A CONTROLLED DOCUMENT FOR TYCO ELECTRONICS CORPORATION. IT IS SUBJECT TO CHANGE AND THE CONTROLLING ENGINEERING ORGANIZATION SHOULD BE CONTACTED FOR THE LATEST REVISION.		DWN 30JAN2009 HA/GRZYBOWSKI	Tyco Electronics Harrisburg, PA 17105-3608	
DIMENSIONS: mm		CHK P. DAMATO	NAME SOCKET CONNECTOR ASSEMBLY SURFACE MOUNT MC-P3S0, MINI CROWN EDGE	
TOLERANCES UNLESS OTHERWISE SPECIFIED: 0 PLC ±.5 1 PLC ±.25 2 PLC ±.25 3 PLC ±. 4 PLC ±. ANGLES ±2 FINISH		APVD 30JAN2009 CHAU PERCHERKE	SIZE CAGE CODE DRAWING NO RESTRICTED TO A200779C-6651712 -	
MATERIAL		PRODUCT SPEC	SCALE 6:1 SHEET 1 OF 2 REV C	
		APPLICATION SPEC	CUSTOMER DRAWING	
		WEIGHT		

THIS DRAWING IS UNPUBLISHED. RELEASED FOR PUBLICATION 20
 © COPYRIGHT 20 BY TYCO ELECTRONICS CORPORATION. ALL RIGHTS RESERVED.

LOC	DIST	REVISIONS					
GP	00	P	LTR	DESCRIPTION	DATE	DWN	APVD
		-		SEE SHEET 1			



P/N 6651712-2
 W/ VACUUM CAP
 READY FOR TAPE AND REEL



SOLDER LAND GUIDELINES
 SOCKET CONNECTOR

<small>THIS DRAWING IS A CONTROLLED DOCUMENT FOR TYCO ELECTRONICS CORPORATION IT IS SUBJECT TO CHANGE AND THE CONTROLLING ENGINEERING ORGANIZATION SHOULD BE CONTACTED FOR THE LATEST REVISION.</small>		DWN 30 JAN 2009 HA/GRZYBOWSKI CHK P. DAMATO APVD 30 JAN 2009 CHAU PERCHERKE	Tyco Electronics Tyco Electronics Harrisburg, PA 17105-3608
DIMENSIONS: mm 	TOLERANCES UNLESS OTHERWISE SPECIFIED: 0 PLC ±- 1 PLC ±.5 2 PLC ±.25 3 PLC ±- 4 PLC ±- ANGLES ±2 FINISH	PRODUCT SPEC APPLICATION SPEC WEIGHT CUSTOMER DRAWING	NAME SOCKET CONNECTOR ASSEMBLY SURFACE MOUNT MC-P3S0, MINI CROWN EDGE SIZE CAGE CODE DRAWING NO A200779 C-6651712 RESTRICTED TO
		SCALE 6:1	SHEET 2 OF 2 REV C

单击下面可查看定价，库存，交付和生命周期等信息

[>>TE Connectivity\(泰科\)](#)