

4

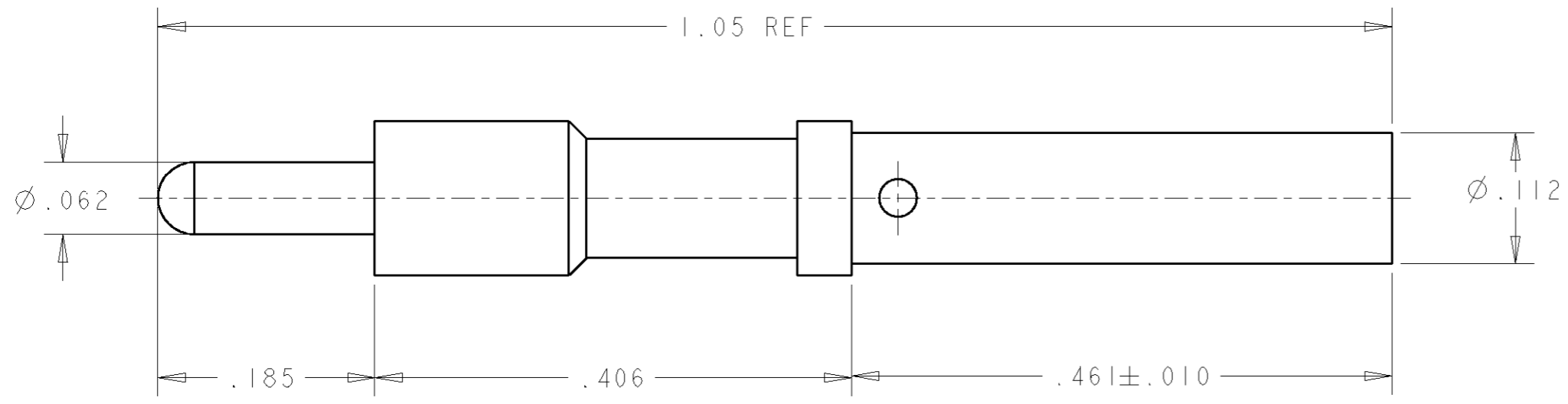
3

2

1

THIS DRAWING IS UNPUBLISHED. RELEASED FOR PUBLICATION 20
 © COPYRIGHT 20 BY TYCO ELECTRONICS CORPORATION. ALL RIGHTS RESERVED.

LOC	DIST	REVISIONS			
P	LTR	DESCRIPTION	DATE	DWN	APVD
GP	00	A	NEW RELEASE	27APR2007	RG DO



- PART NUMBER CHANGES AND OR DESIGN CHANGES AFFECTING THE INTERCHANGEABILITY REQUIRE PRIOR TYCO APPROVAL AND AUTHORIZATION BY REVISION TO THIS DRAWING.
- MATERIAL:
 SOCKET BODY: BRASS ALLOY
 CROWN BAND: BERYLLIUM COPPER
- FINISH:
 SOCKET BODY: SILVER PLATE .000200 MIN. THK. OVER
 NICKEL PLATE .000040 MIN THK.
 CROWN BAND: GOLD PLATE .000030 MIN THK. OVER
 NICKEL PLATE .000040 MIN THK.
- ITEMS PROVIDED TO THIS SPECIFICATION TO BE PERMANENTLY IDENTIFIED PER THE FOLLOWING IDENTIFIER:

YEAR 1 WEEK 1

TYCO PART NUMBER
 XXXXXXXX-X

DATE CODE (e.g. 0216)
 XXXX

AS SHOWN	6648383-1
DESCRIPTION	PART NO.

<small>THIS DRAWING IS A CONTROLLED DOCUMENT FOR TYCO ELECTRONICS CORPORATION IT IS SUBJECT TO CHANGE AND THE CONTROLLING ENGINEERING ORGANIZATION SHOULD BE CONTACTED FOR THE LATEST REVISION.</small>		DWN R.GRZYBOWSKI 27APR2007 CHR D.ORRIS 27APR2007 APVD S.FLICKINGER 27APR2007	Tyco Electronics Tyco Electronics Harrisburg, PA 17105-3608
DIMENSIONS: INCHES 	TOLERANCES UNLESS OTHERWISE SPECIFIED: 0 PLC ±- 1 PLC ±- 2 PLC ±.02 3 PLC ±.010 4 PLC ±- ANGLES ±-	PRODUCT SPEC - APPLICATION SPEC - WEIGHT -	NAME CONTACT, SOCKET SIZE No. 6 PCB TAIL
MATERIAL -	FINISH -	SIZE A3 CAGE CODE 00779 DRAWING NO C=6648383	RESTRICTED TO -
CUSTOMER DRAWING		SCALE 8:1	SHEET 1 OF 1 REV A

单击下面可查看定价，库存，交付和生命周期等信息

[>>TE Connectivity\(泰科\)](#)