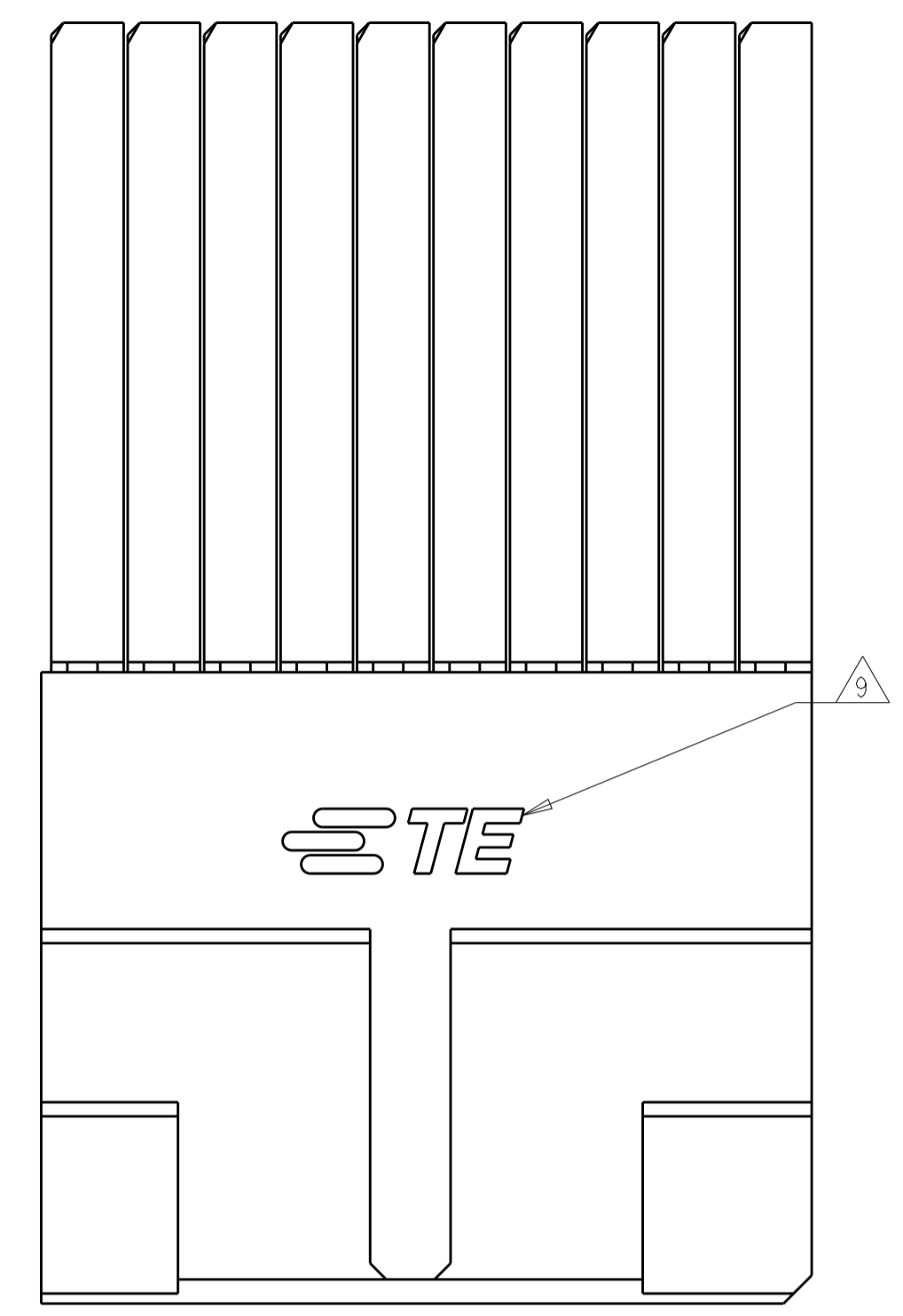
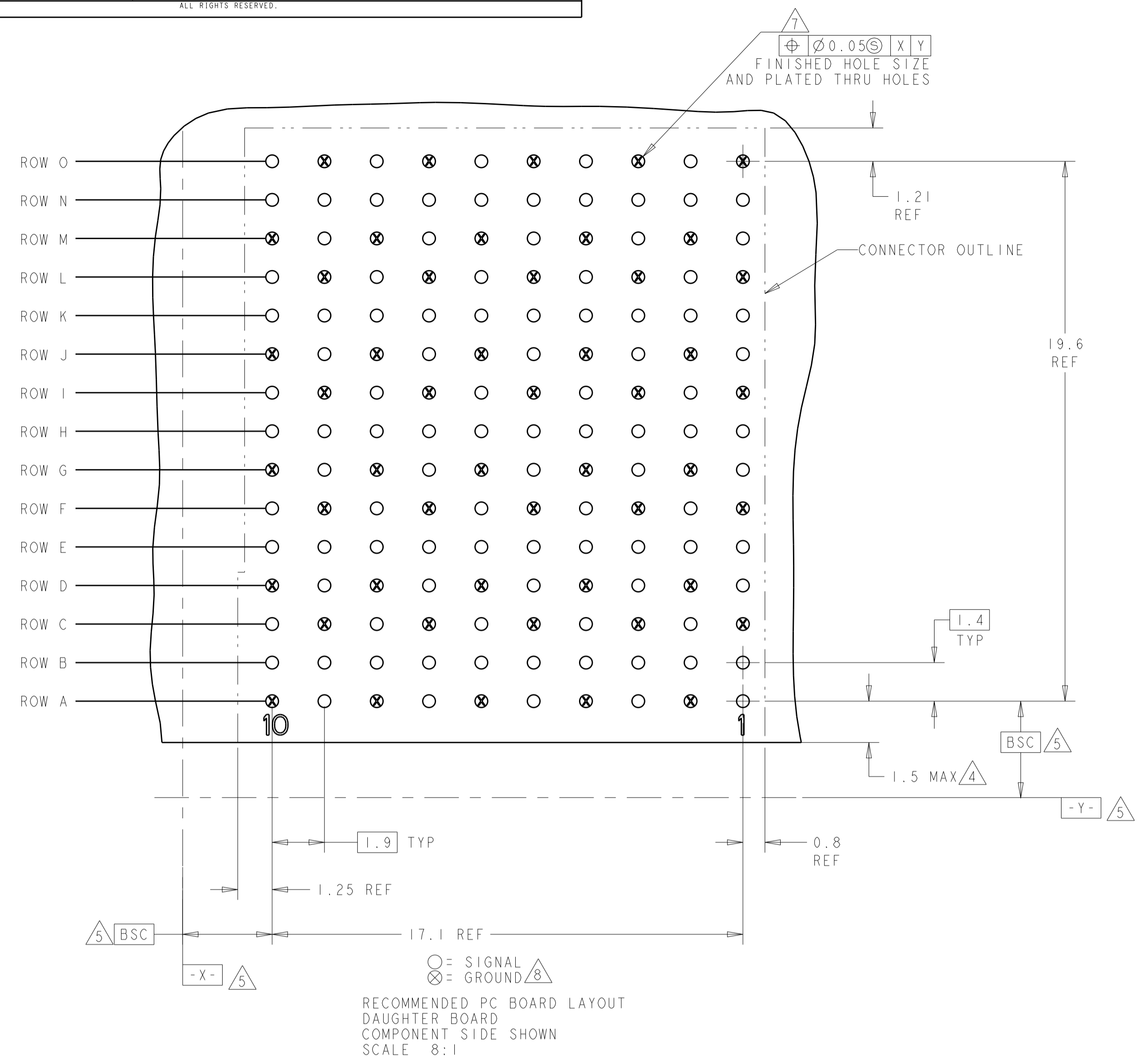
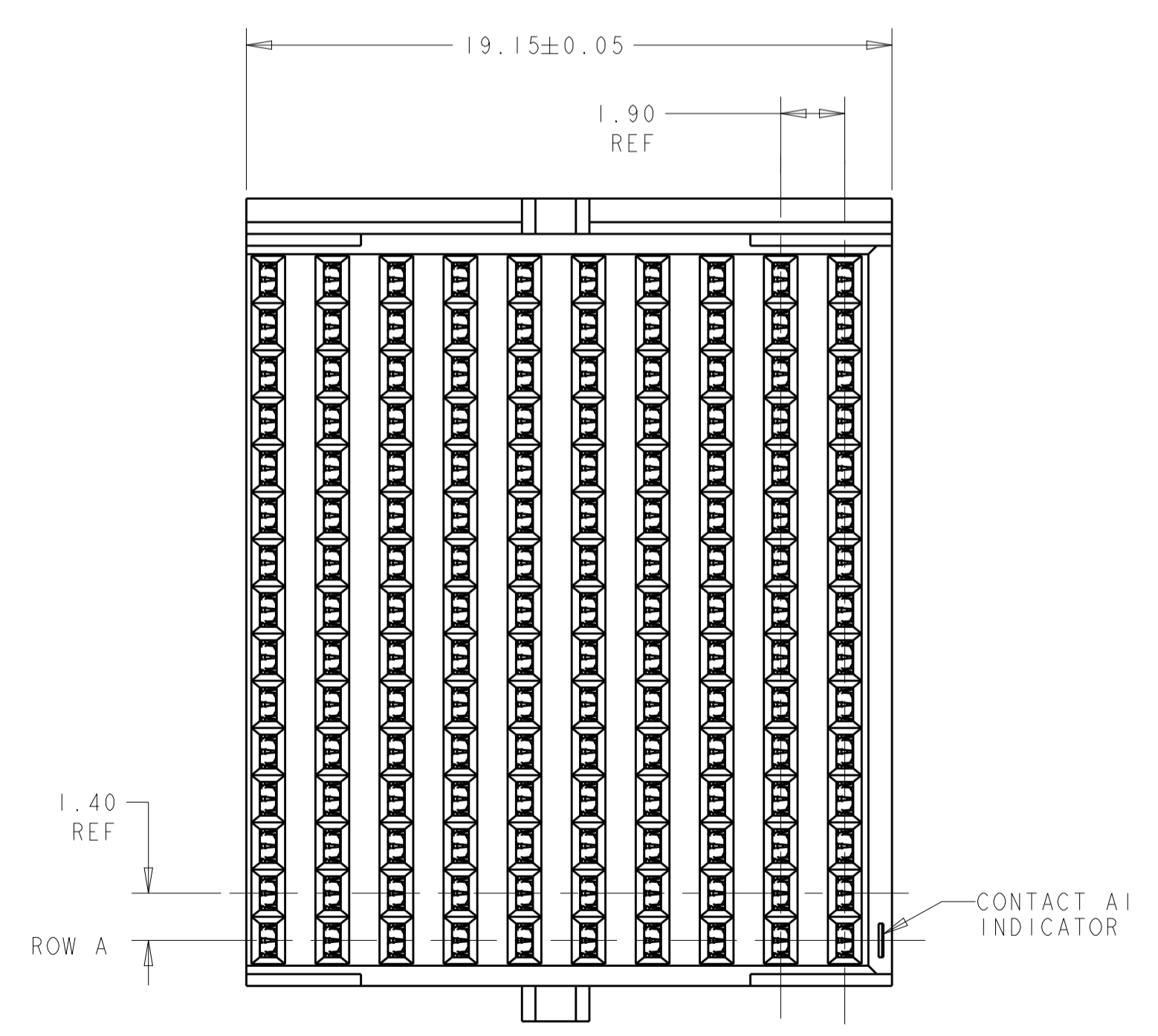
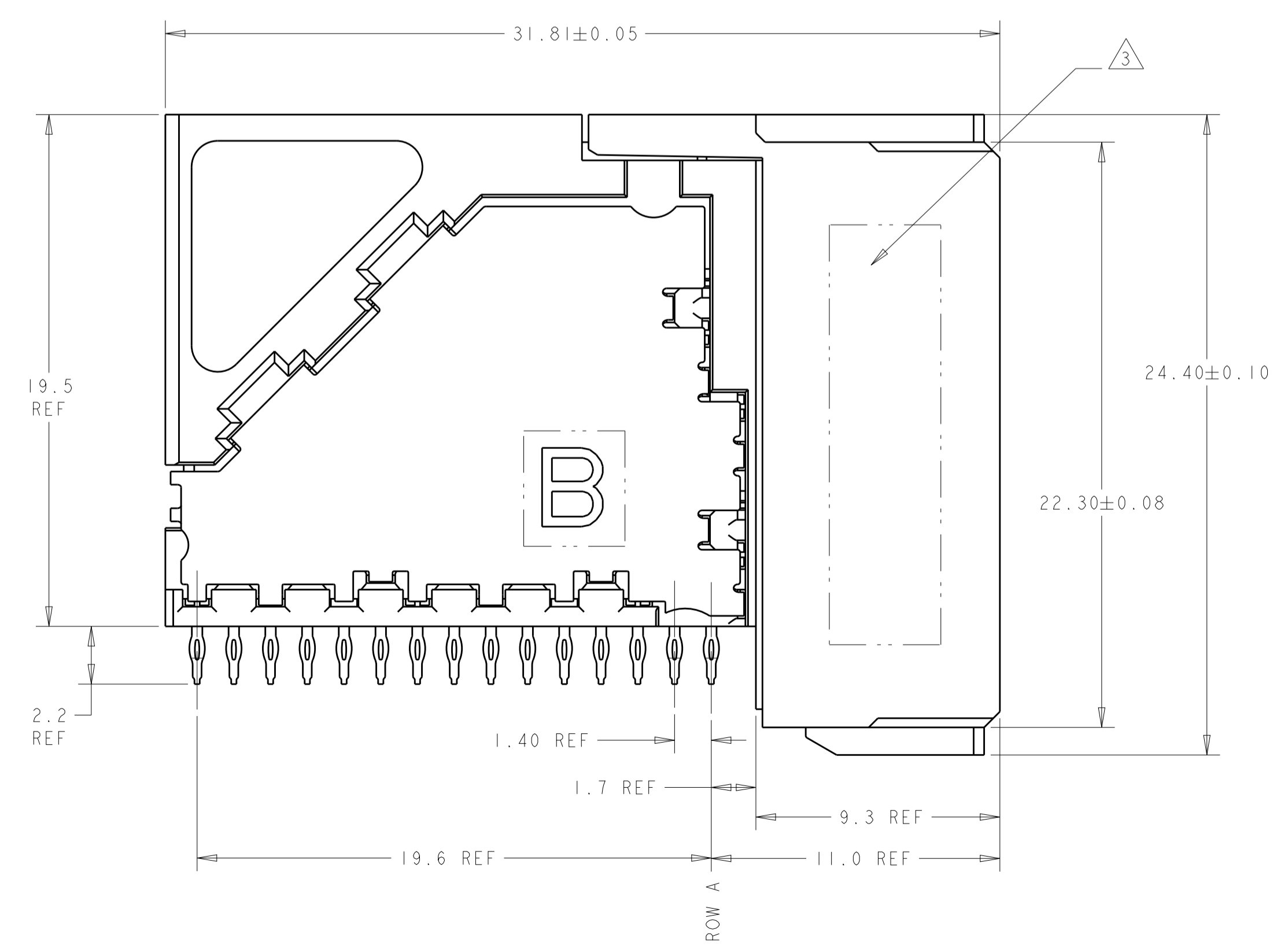


LOC		DIST		REVISIONS			
P	LTN	DESCRIPTION	DATE	DWN	APVD		
A		REVISED PER ECO-14-013100	02SEP2014	AP	RP		
B		REVISED PER ECO-19-012987	29AUG2019	AP	SY		



- 1 MATERIAL:  
CONTACT AND SHIELD: PHOS BRONZE  
HOUSING AND CHICKLET: LCP, UL 94V-0, COLOR: BLACK
- 2 FINISH:  
CONTACT AREA FINISH CONFORMS TO THE REQUIREMENTS OF TE PRODUCT SPECIFICATION 108-2303; BASED ON TELCORDIA GR-1217-CORE FOR SYSTEM QUALITY LEVEL III APPLICATIONS IN CONTROLLED ENVIRONMENTS (CENTRAL OFFICE).
- 3 CONNECTOR MARKED WITH PART NUMBER, DATE CODE, 85 OHM, AND STANDARD IN APPROXIMATE AREA SHOWN.
- 4 DIMENSION APPLIES TO CENTERLINE OF THRU HOLE.
- 5 DATUMS AND BASIC DIMENSIONS ESTABLISHED BY CUSTOMER.
- 6 CONTACT AREA LUBRICATED WITH BELLCORE APPROVED LUBRICANT. TECHNICAL REFERENCE: GR-1217-CORE, ISSUE 1, NOVEMBER 1995.
- 7 REFERENCE APPLICATION SPEC FOR RECOMMENDED PLATED THRU HOLE DIAMETER AND PLATING THICKNESS.
- 8 THE GROUNDS IN EACH COLUMN ARE COMMONED.
- 9 SHOWN LOGO OR OTHER TE OWNED LOGOS IN APPROXIMATE AREA



1934932-1  
 PART NUMBER

THIS DRAWING IS A CONTROLLED DOCUMENT.		OWN: W. SOURBEER 02MAY2008	<b>STC</b> TE Connectivity	
		CHK: C. RITTER 02MAY2008		
DIMENSIONS: mm		APVD:	NAME: RECEPTACLE ASSEMBLY, 5 PAIR, 10 COLUMN, TinMan 85 OHM	
TOLERANCES UNLESS OTHERWISE SPECIFIED:		PRODUCT SPEC: 108-2303-1		
0 PLC ±.1		APPLICATION SPEC: 114-13243		
1 PLC ±.15		SIZE: A1		
2 PLC ±.2		CAGE CODE: 1934932		
3 PLC ±.25		DRAWING NO: 1934932		
4 PLC ±.3		WEIGHT: -		
ANGLES ±.5		CUSTOMER DRAWING		
FINISH:		SCALE: 6:1		
MATERIAL:		SHEET: 1 OF 1		
FINISH:		REV: B		

单击下面可查看定价，库存，交付和生命周期等信息

[>>TE Connectivity\(泰科\)](#)