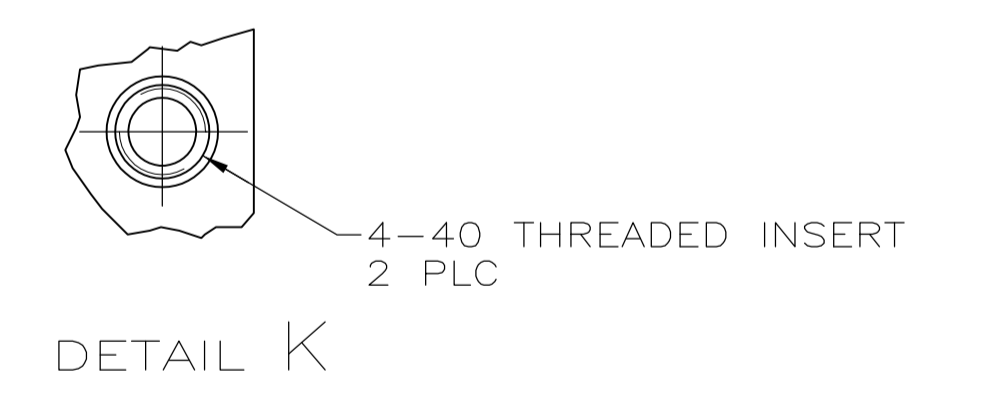
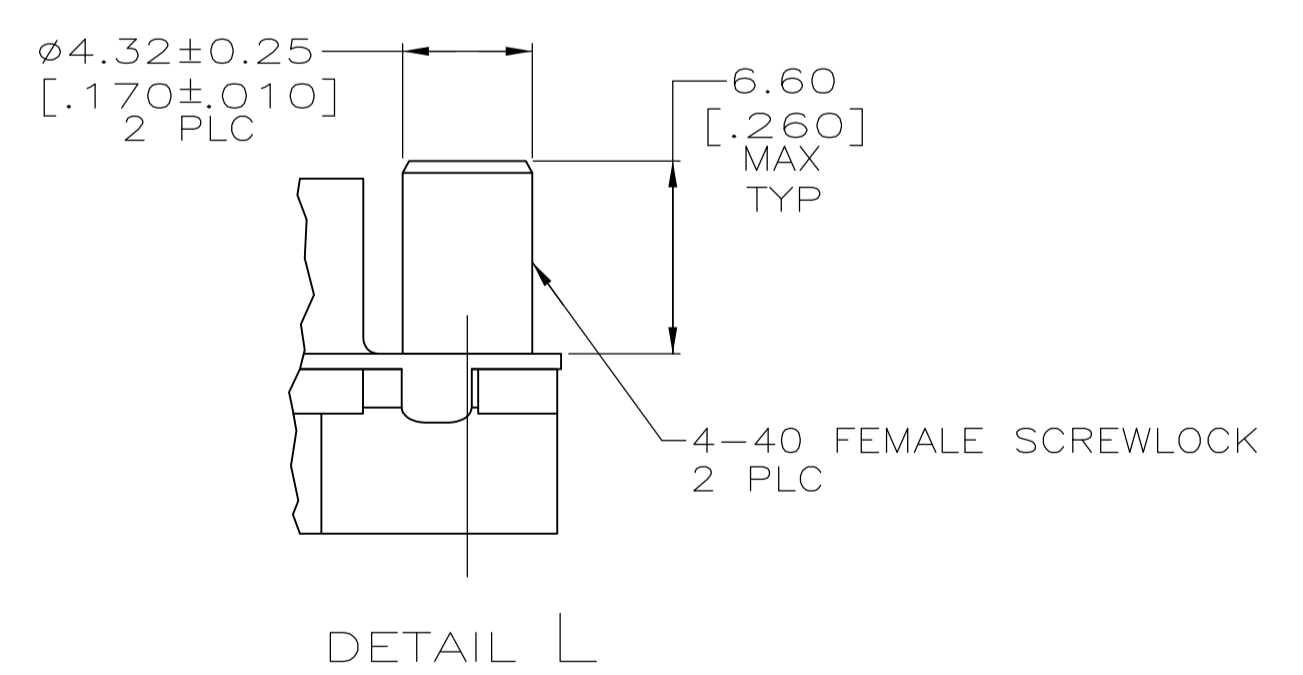
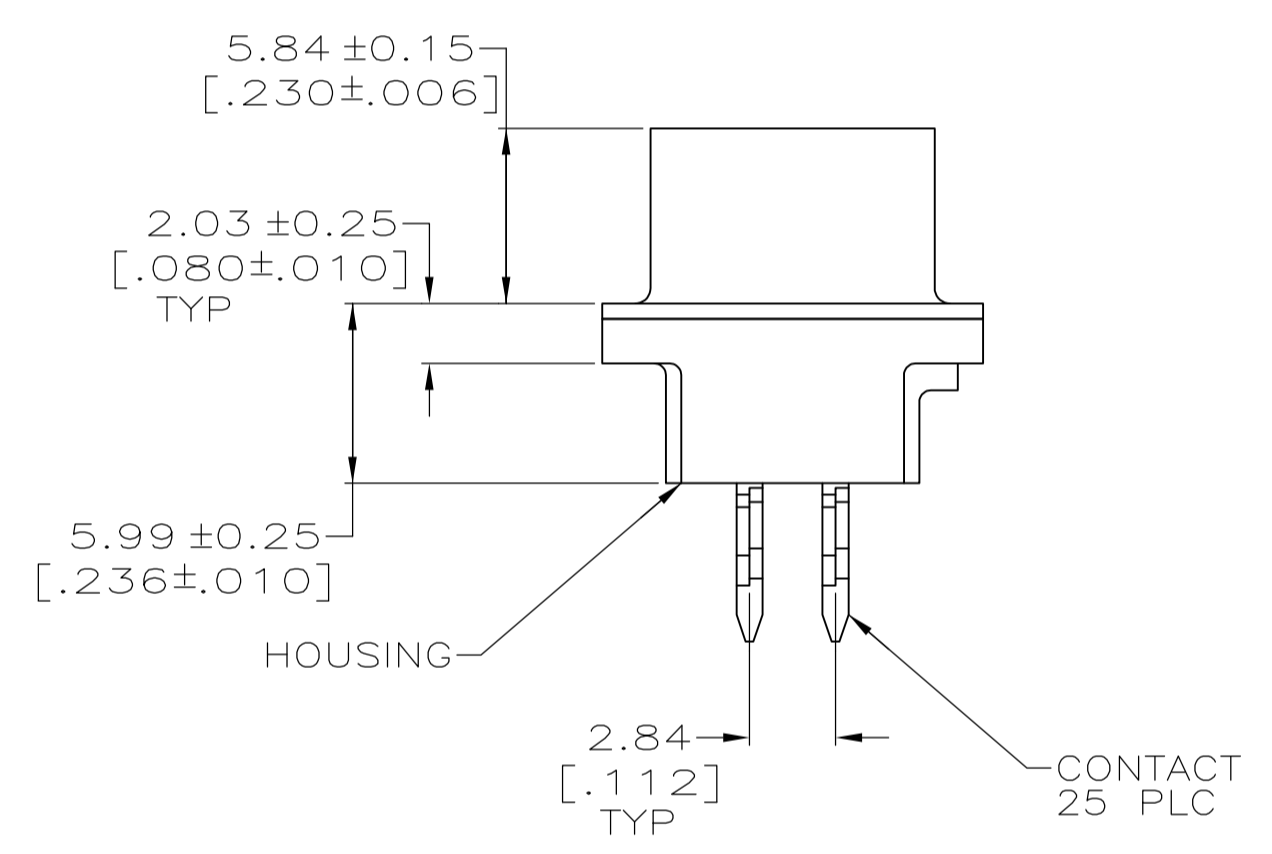
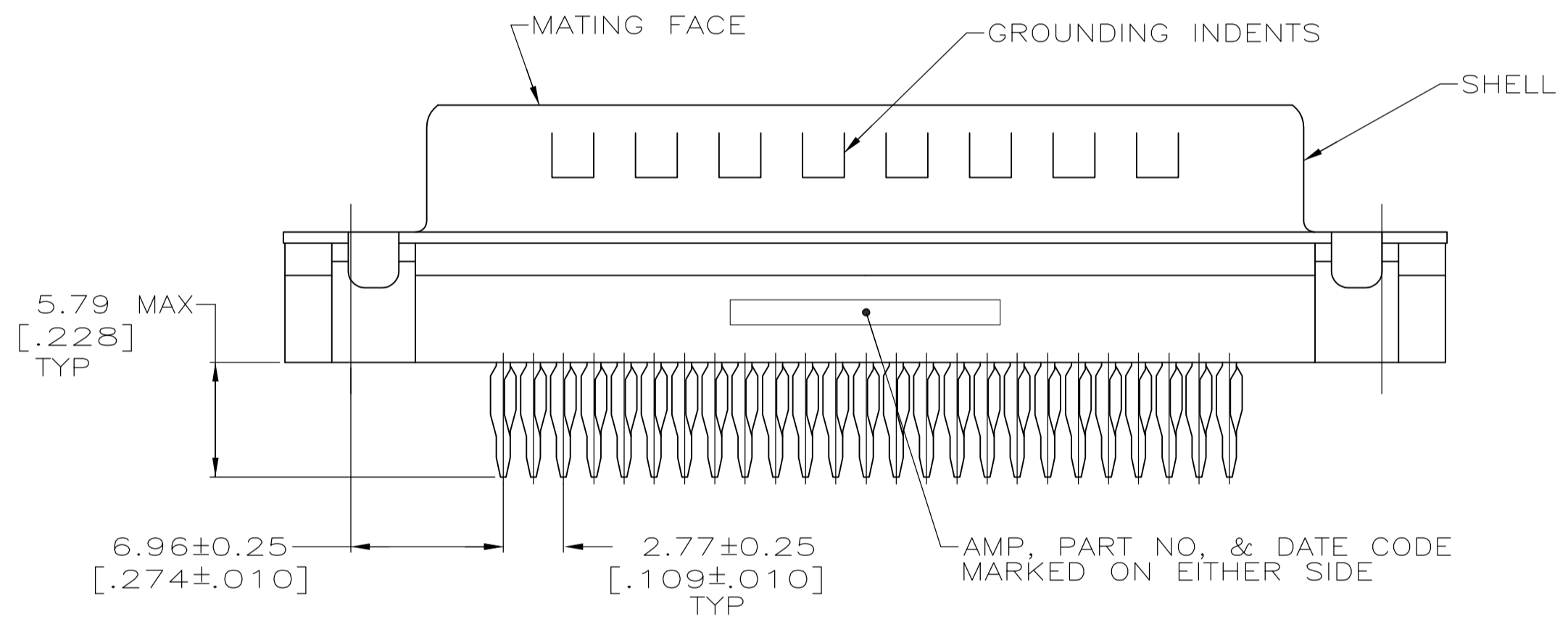
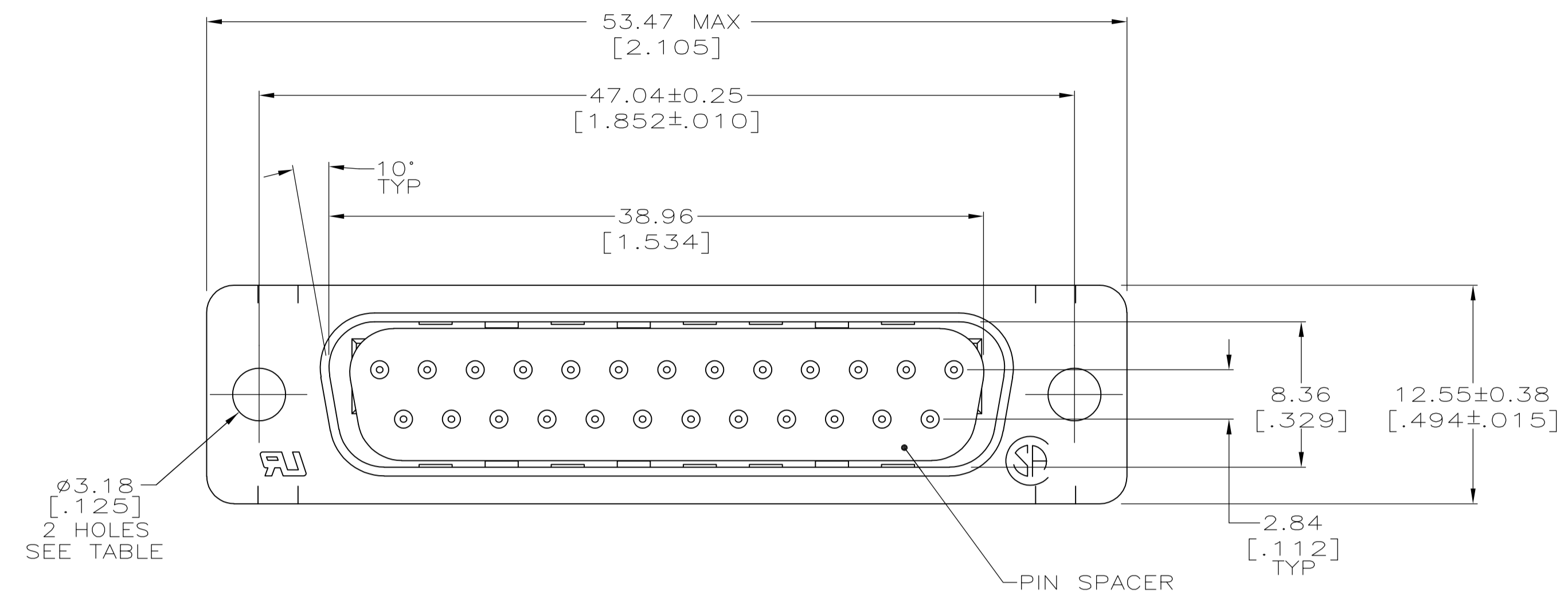


LOC		DIST		REVISIONS			
GP	00	REV	DATE	BY	APPV	DATE	BY
C	REVISED PER ECO-12-000090		26JAN2012	CJV	SLB		



- 1 FOR USE WITH 2.36 [.093] MINIMUM THICK PRINTED CIRCUIT BOARD. REFER TO APPLICATION SPECIFICATION FOR PRINTED CIRCUIT BOARD LAYOUT DIMENSIONS AND FINISH RECOMMENDATIONS.
- 2 MOLDED PARTS: NYLON OR POLYESTER, UL 94V-0 RATED, BLACK.
- 3 CONTACTS: COPPER ALLOY.
- 4 SHELL: CARBON STEEL.
- 5 INSERTS: BRASS.
- 6 SCREWLOCKS: ZINC.
- 7 CONTACTS:
0.76 MICRO METERS [.000030] MINIMUM GOLD IN MATING AREA.
2.54 MICRO METERS [.000100] MINIMUM TIN ON COMPLIANT PIN.
ALL OVER 1.27 MICRO METERS [.000050] MINIMUM NICKEL.
OR
GOLD FLASH OVER PALLADIUM NICKEL.
0.76 MICRO METERS [.000030] MINIMUM TOTAL IN MATING AREA.
2.54 MICRO METERS [.000100] MINIMUM TIN ON COMPLIANT PIN.
ALL OVER 1.27 MICRO METERS [.000050] MINIMUM NICKEL.
- 8 SHELL: 5.08µm [.000200] MIN TIN OVER 2.54µm [.000100] MIN COPPER
- 9 INSERTS: UNPLATED.
- 10 SCREWLOCKS: CLEAR CHROMATE
- 11 DATUMS AND BASIC DIMENSIONS ESTABLISHED BY CUSTOMER.
- 12 OBSOLETE PARTS: OBSOLETE CIS STREAMLINING PER D.RENAUD/D.SINISI

SEE DETAIL L	5748146-6
SEE DETAIL K	5748146-4
AS SHOWN	5748146-2
MOUNTING TYPE	PART NUMBER

THIS DRAWING IS A CONTROLLED DOCUMENT. DIMENSIONING AND TOLERANCING PER ASME Y14.5M-2009		DIN A FERNANDEZ-DOCKS 03-31-05		CIVIL S.BOLASH 03-31-05		APPROVED M. WALMSLEY 03-31-05		NAME		TE Connectivity	
DIMENSIONS: INCHES		TOLERANCES UNLESS OTHERWISE SPECIFIED:		PRODUCT SPEC		APPLICATION SPEC		SIZE		RESTRICTED TO	
0 PLC ± -		1 PLC ± -		2 PLC ± 0.13 [.005]		3 PLC ± -		4 PLC ± -		SCALE 4:1	
MATERIAL		FINISH		WEIGHT		CUSTOMER DRAWING		A1 00779		SHEET 1 OF 1	
2 3 4 5 6		7 8 9 10		5748146		5748146		REV C			

单击下面可查看定价，库存，交付和生命周期等信息

[>>TE Connectivity\(泰科\)](#)