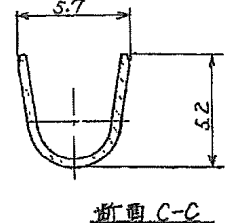
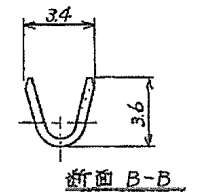
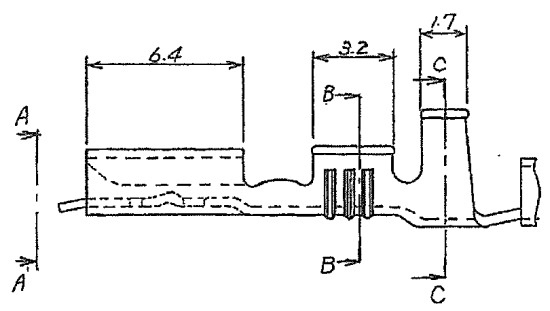
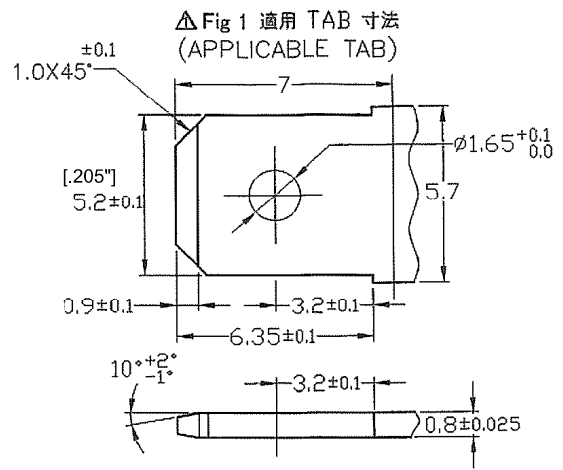
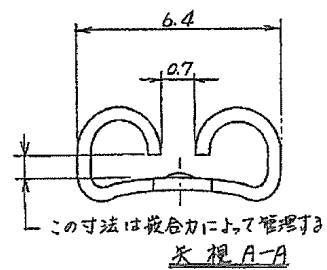
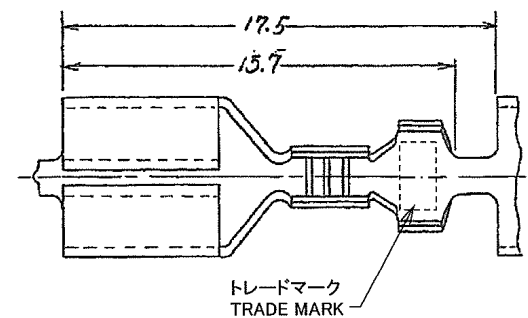


THIS DRAWING IS UNPUBLISHED. RELEASED FOR PUBLICATION .1974.
 © COPYRIGHT BY TYCO ELECTRONICS CORPORATION. ALL RIGHTS RESERVED.

LOC	DIST	REVISIONS					
J	-	P	LTR	DESCRIPTION	DATE	DWN	APVD
		C		REVISED ECR-07-011381	18MAY'07	J.S	S.M
		C1		REVISED PER ECR-19-013810	13SEP2019	BDA	DH



注.
 △. 適用 TAB 寸法については Fig 1 を参照のこと。
 △. ストレス除去処理
 処理法により外観が変わります。
 不活性ガス加熱方式……銀光沢
 大気加熱方式………光沢

NOTES
 △. FOR APPLICABLE TAB, SEE Fig 1.
 △. STRESS RELIEVING
 FINISH IS SUBJECT TO CHANGE BY THE TYPE OF
 STRESS RELIEVING PROCESS
 INERT GAS FURNACE ----- MATTE
 ATMOSPHERIC FURNACE FOLLOWED BY ACID PICKLE ----- BRIGHT

BRASS	MATTE, TIN-PLATED	170179-2	170180-2	電鍍 0.4t	電気鍍 0.2t	108-5007
BRASS	MATTE OR BRIGHT (TE PLANT CHOICE), UNPLATED	170179-1	170180-1	電鍍 0.4t	---	108-5007
BASE MATERIAL	FINISH	型番	LP型番	材質	仕上	製品規格番号

THIS DRAWING IS A CONTROLLED DOCUMENT FOR AND INCORPORATED IT IS SUBJECT TO CHANGE AND THE CONTROLLING ENGINEERING ORGANIZATION SHOULD BE CONTACTED FOR THE LATEST REVISION.

DWN T. Hatano 16 JUL 2006
 CHK An Sugita 18 JUL 06
 APVD [Signature] 13 DEC 06

WIRE RANGE: 0.75~2.27 mm² (AWG #18-14) INSULATION DIA: 3.30~4.60 mm (.130~.180 IN)

TE Connectivity

PRODUCT SPEC: 表参照 (SEE TABLE)
 APPLICATION SPEC: 取付適用規格

SIZE: A3 CAGE CODE: 00779 DRAWING NO: C-170179 RESTRICTED TO: -

MATERIAL: 表参照 (SEE TABLE) FINISH: 表参照 (SEE TABLE) WEIGHT: -

CUSTOMER DRAWING SCALE: 尺庫 SHEET: 1 of 1 REV: C1

单击下面可查看定价，库存，交付和生命周期等信息

[>>TE Connectivity\(泰科\)](#)