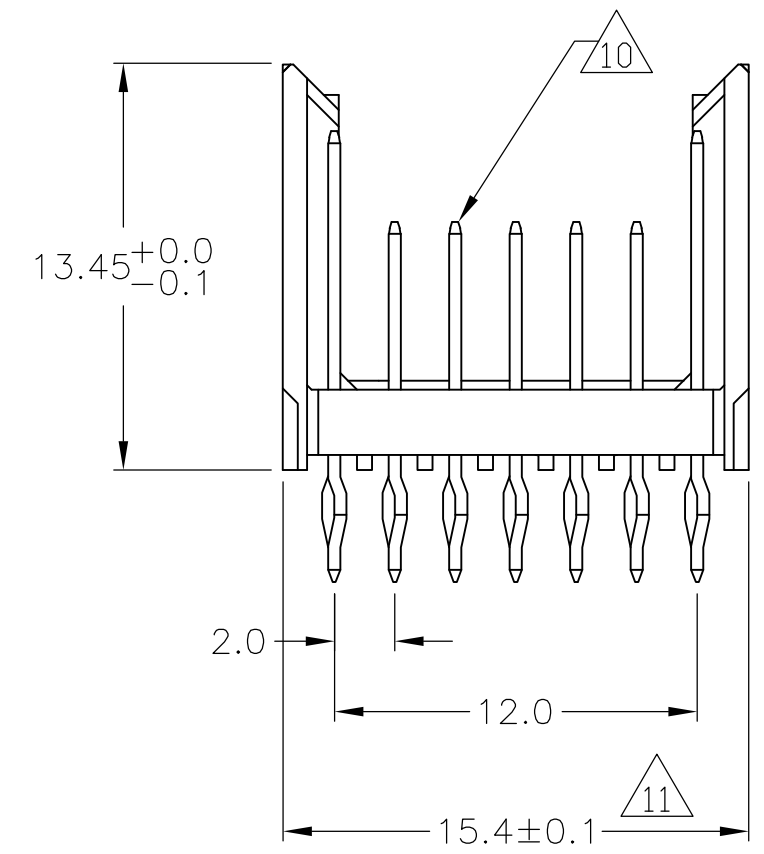
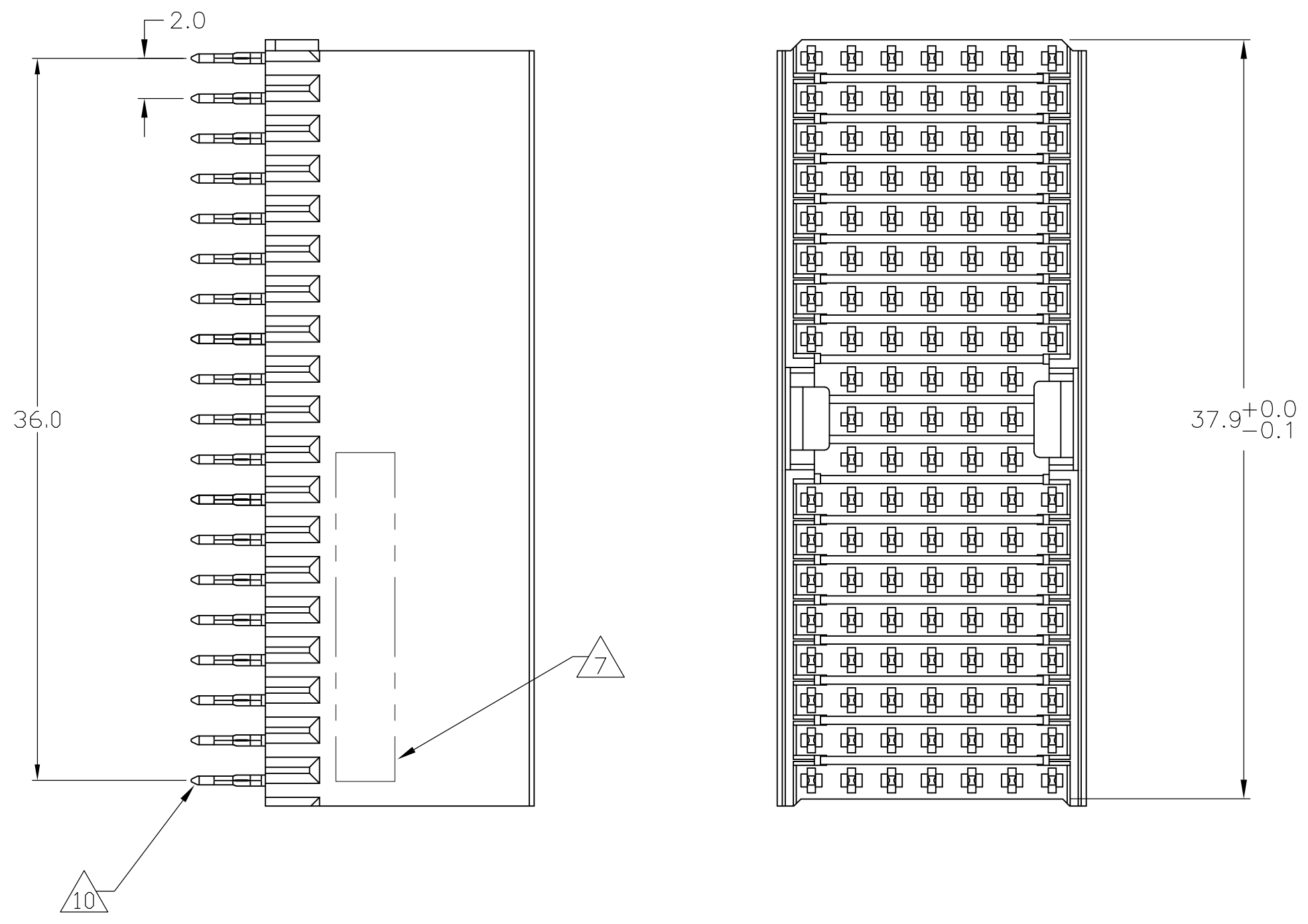
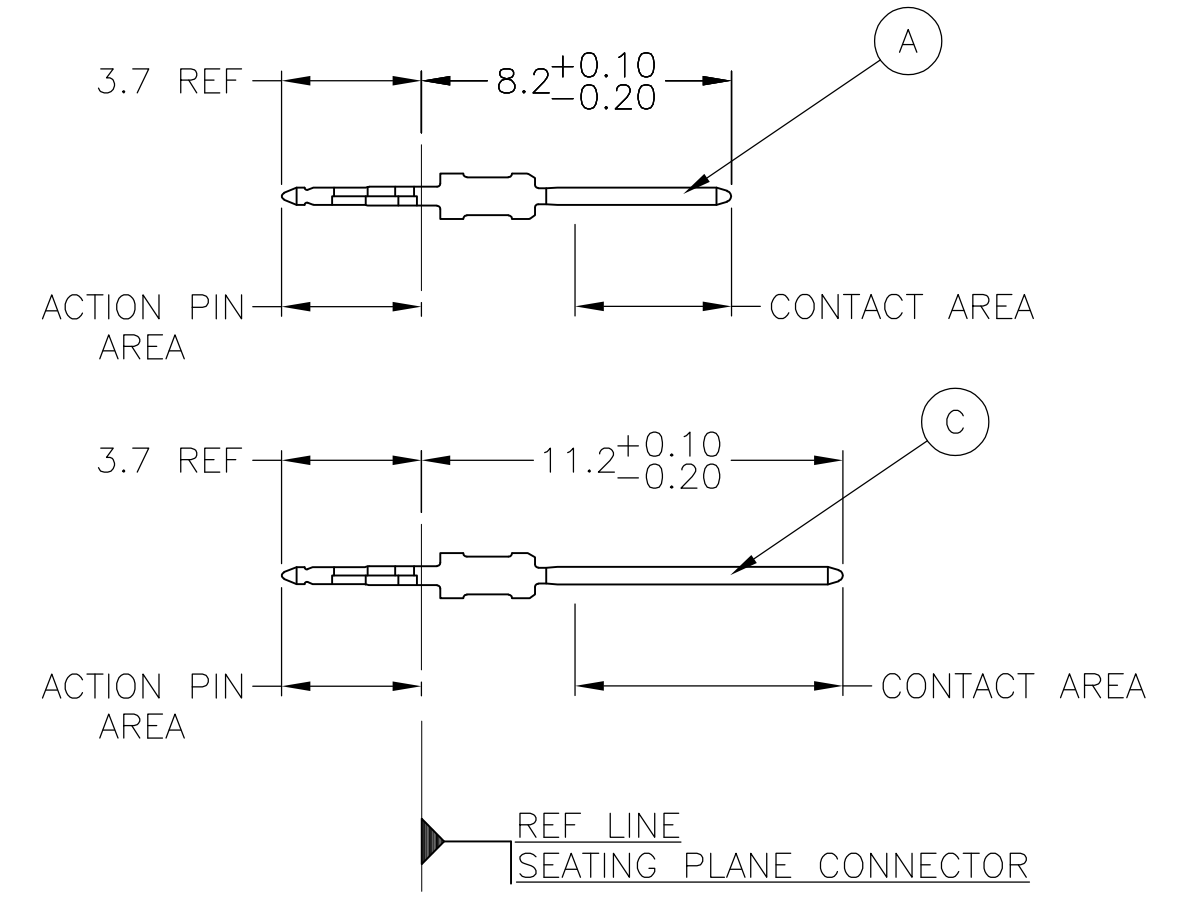


| LOC | | DIST | | REVISIONS | | | |
|-----|----|---------------|-------------------|-----------|-----|------|--|
| AD | 00 | REV | DATE | BY | CHK | APPV | |
| C | | REVIS | PER ECO-10-023600 | 1NOV2010 | RC | CW | |
| D | | ECR-12-010652 | | 06NOV12 | SY | AC | |

**CONNECTOR ASSEMBLY
 EXAMPLARY LOADED**



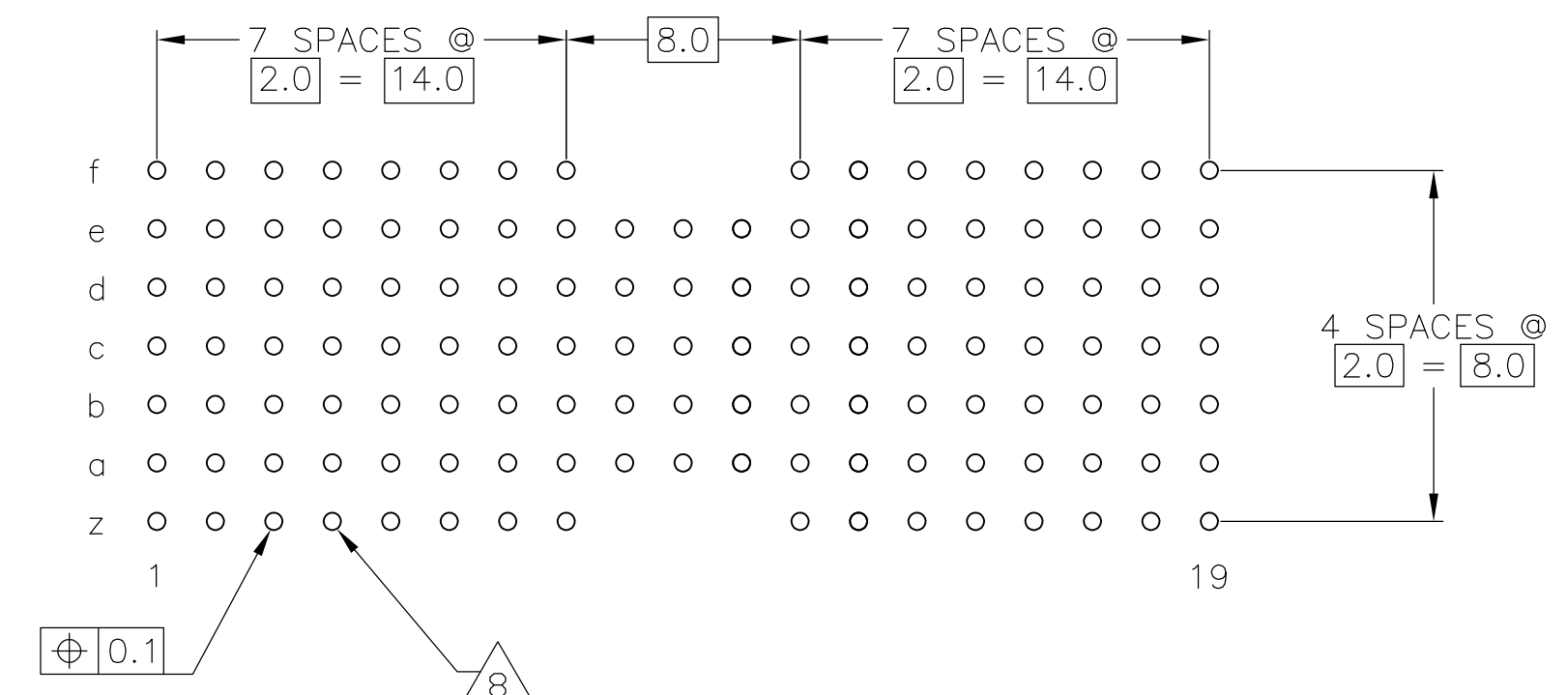
CONTACT DIMENSIONS
 SCALE 5:1



CONTACT LAYOUT

| | z | a | b | c | d | e | f |
|----|---|---|---|---|---|---|---|
| 1 | C | A | A | A | A | A | C |
| 2 | C | A | A | A | A | A | C |
| 3 | C | A | A | A | A | A | C |
| 4 | C | A | A | A | A | A | C |
| 5 | C | A | A | A | A | A | C |
| 6 | C | A | A | A | A | A | C |
| 7 | C | A | A | A | A | A | C |
| 8 | C | A | A | A | A | A | C |
| 9 | | A | A | A | A | A | |
| 10 | | A | A | A | A | A | |
| 11 | | A | A | A | A | A | |
| 12 | C | A | A | A | A | A | C |
| 13 | C | A | A | A | A | A | C |
| 14 | C | A | A | A | A | A | C |
| 15 | C | A | A | A | A | A | C |
| 16 | C | A | A | A | A | A | C |
| 17 | C | A | A | A | A | A | C |
| 18 | C | A | A | A | A | A | C |
| 19 | C | A | A | A | A | A | C |

**RECOMMENDED PCB-HOLE LAYOUT
 COMPONENT SIDE SHOWN**



PLATED THRU HOLES PARAMETERS
 REFERENCE APPLICATION SPECIFICATION

| | | | |
|----------|---|-------------|------------|
| 2 | 3 | 13 | 3-646530-0 |
| 2 | 6 | 12 | 1-646530-9 |
| 2 | 5 | 12 | 646530-9 |
| 2 | 4 | | 646530-4 |
| 2 | 3 | | 646530-1 |
| OBSOLETE | | | |
| FINISH | | PART NUMBER | |

THIS DRAWING IS A CONTROLLED DOCUMENT.

| | | | |
|------------------|---|--|---|
| DIMENSIONS: mm | TOLERANCES UNLESS OTHERWISE SPECIFIED: 0-PLC ± 1-PLC ± 0.1 2-PLC ± 3-PLC ± 4-PLC ± ANGLES ± | DIN B CARBO 07SEP05 GIK 07SEP05 G SKIPPER 07SEP05 G SKIPPER 07SEP05 | Tyco Electronics Corporation Harrisburg, Pa 17105-3608 |
| MATERIAL 1 | FINISH SEE TABLE | NAME MALE ASSEMBLY, Z-PACK 2mm HM, TYPE A/B | RESTRICTED TO |
| CUSTOMER DRAWING | | SCALE 4:1 | SHEET 1 OF 2 |

| LOC | | DIST | | REVISIONS | | | |
|-----|-----|-------------|------|-----------|------|--|--|
| IF | LTR | DESCRIPTION | DATE | DRN | APVD | | |
| AD | 00 | SEE SHEET 1 | - | - | - | | |

- 1 MATERIAL:
CONTACT: PHOSPHOR BRONZE.
HOUSING: GLASS-FILLED POLYESTER.
- 2 GENERAL PLATING SPECIFICATION: UNDERPLATING
(ENTIRE CONTACT): 1.27µm MIN NICKEL AND ACTION
PIN: 0.5µm MIN TIN/LEAD.
FOR PLATING OF MATING SURFACES SEE APPLICABLE
SPECIFICATION REFERENCE FOR EACH DASH NUMBER.
- 3 CONFORMS TO ALL TESTING ACCORDING TO IEC 61076-4-101
PERFORMANCE LEVEL 2.
- 4 CONFORMS TO ALL TESTING ACCORDING TO IEC 61076-4-101
PERFORMANCE LEVEL 1.
- 5 CONNECTOR TESTED AND QUALIFIED AGAINST TELCORDIA GR-1217-CORE QUALITY LEVEL 3,
CENTRAL OFFICE APPLICATIONS.
- 6 CONNECTOR TESTED AND QUALIFIED AGAINST TELCORDIA GR-1217-CORE QUALITY LEVEL 3,
UNCONTROLLED ENVIROMENT APPLICATIONS.
- 7 CONNECTOR MARKED WITH PART NUMBER AND DATE CODE.
ADDITIONAL CHARACTERS OR MARKINGS, AS WELL AS THE LOCATION OF THE MARKINGS,
MAY BE ADDED FOR TRACEABILITY BASED UPON MANUFACTURERS DISCRETION.
- 8 PLATED-THROUGH HOLES AT 2x2mm SQUARE GRID
PATTERN DEFINED BY CONTACT LAYOUT.
- 9 FOR ACTUAL PIN LOADING SEE "CONTACT LAYOUT".
- 10 FOR ACTUAL PIN DIMENSIONS SEE "CONTACT DIMENSIONS".
- 11 TO BE MEASURED AT BOTTOM OF SHROUD.
- 12 CONNECTOR LUBRICATED WITH BELCORE APPROVED LUBRICANT,
TECHNICAL REFERENCE: TR-NWT-001217 ISSUE 1, SEP 1992.
- 13 0.76µm MIN. GOLD PLATING AT MATING SURFACES.

| | | | | |
|---|--|-------------------------------|---|--------------------|
| THIS DRAWING IS A CONTROLLED DOCUMENT. | | DWN B. CARBO 07SEP05 | Tyco Electronics Corporation Harrisburg, Pa 17105-3608 | |
| DIMENSIONS: mm | | CHK G. SKIPPER 07SEP05 | NAME MALE ASSEMBLY, Z-PACK 2mm HM, TYPE A/B | |
| TOLERANCES UNLESS OTHERWISE SPECIFIED: 0-PLC ± 1-PLC ±.01 2-PLC ±.02 3-PLC ± 4-PLC ± ANGLES ± | | APPD G. SKIPPER 07SEP05 | RESTRICTED TO | |
| MATERIAL SEE SHEET 1 | | PRODUCT SPEC 108-19082 | SIZE A1 | CAGE CODE 00779 |
| FINISH SEE SHEET 1 | | APPLICATION SPEC 114-19029 | DRAWING NO 646530 | REV D |
| CUSTOMER DRAWING | | WEIGHT - | SCALE 4:1 | SHEET 2 OF 2 |

单击下面可查看定价，库存，交付和生命周期等信息

[>>TE Connectivity\(泰科\)](#)