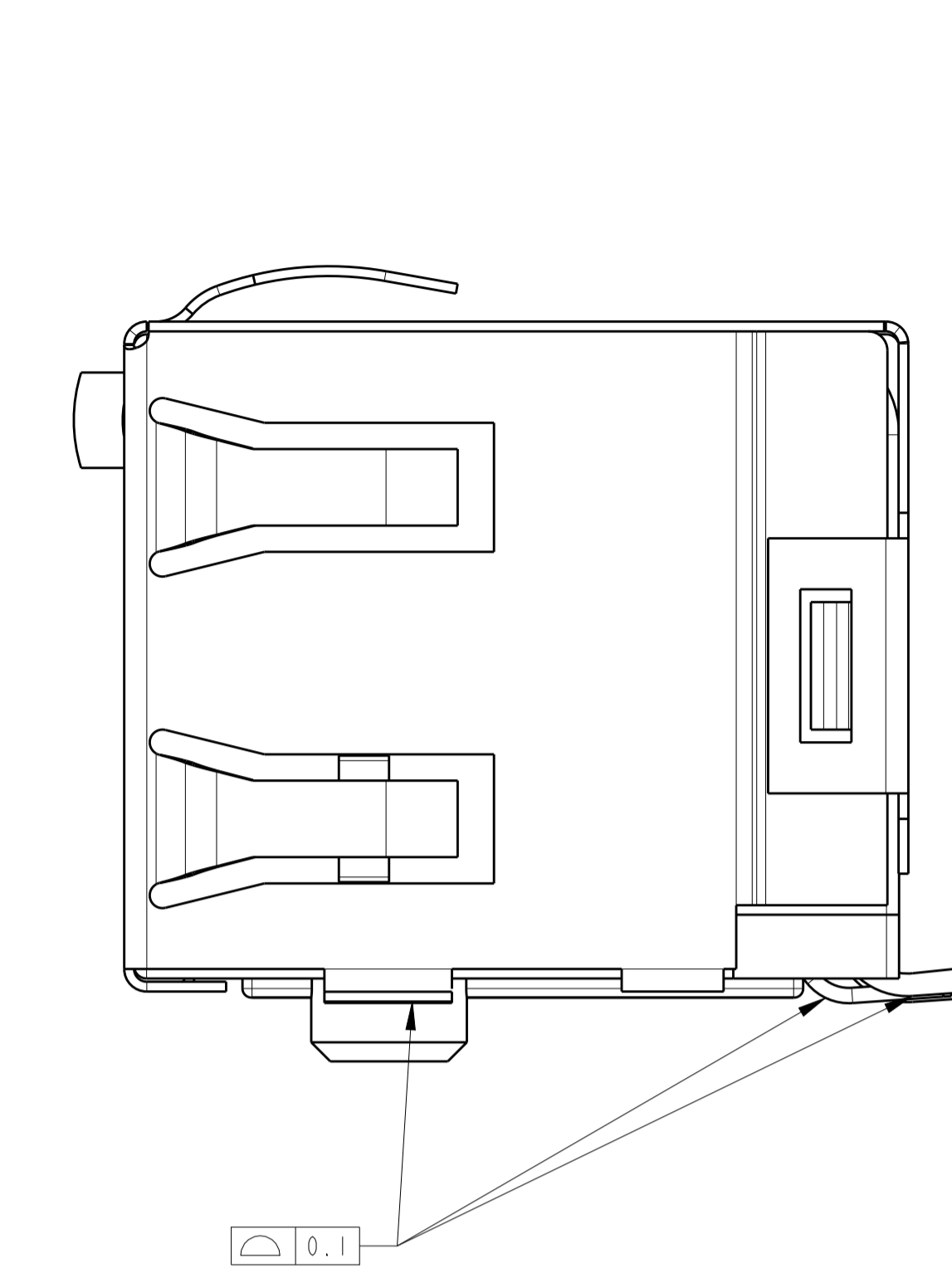
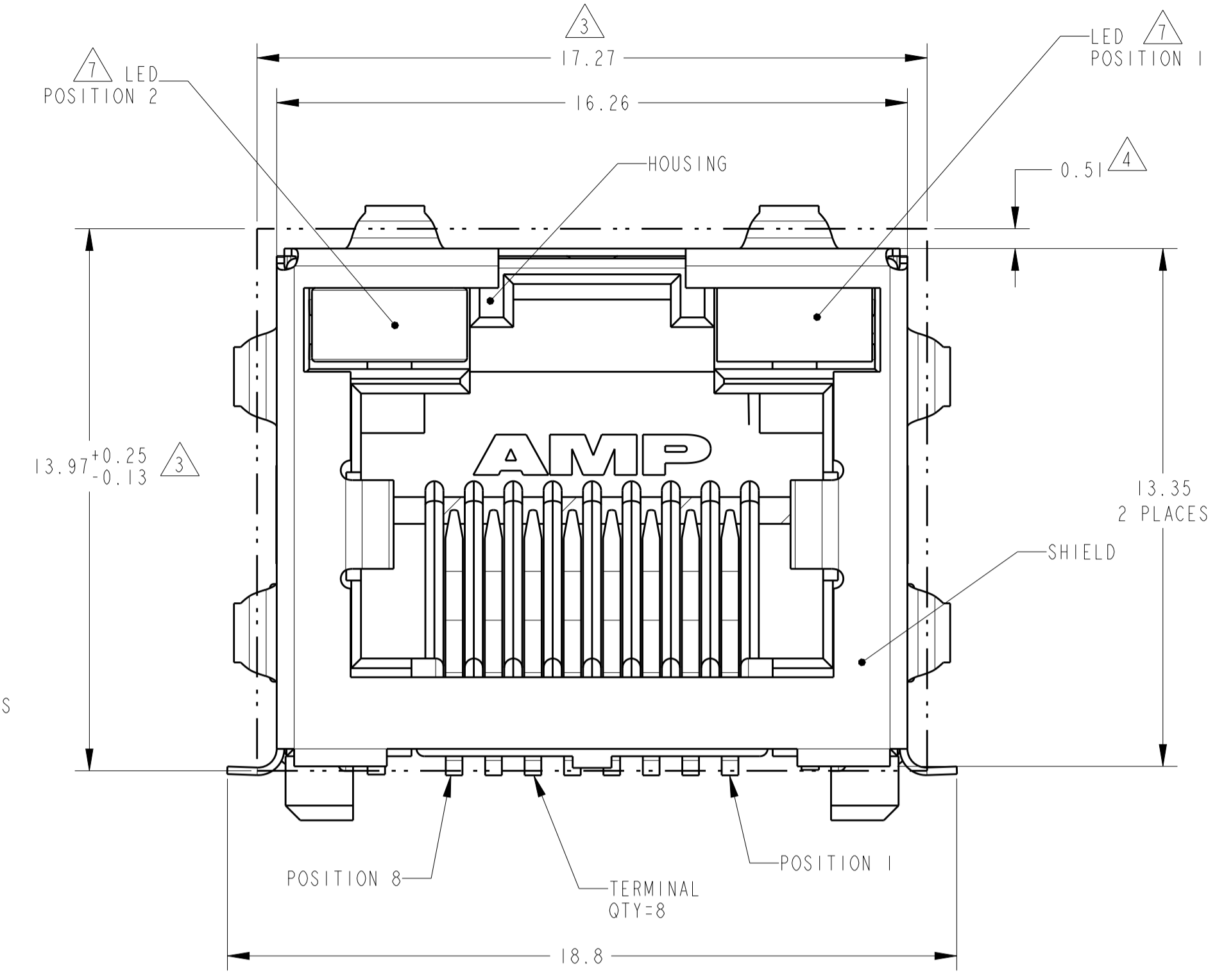
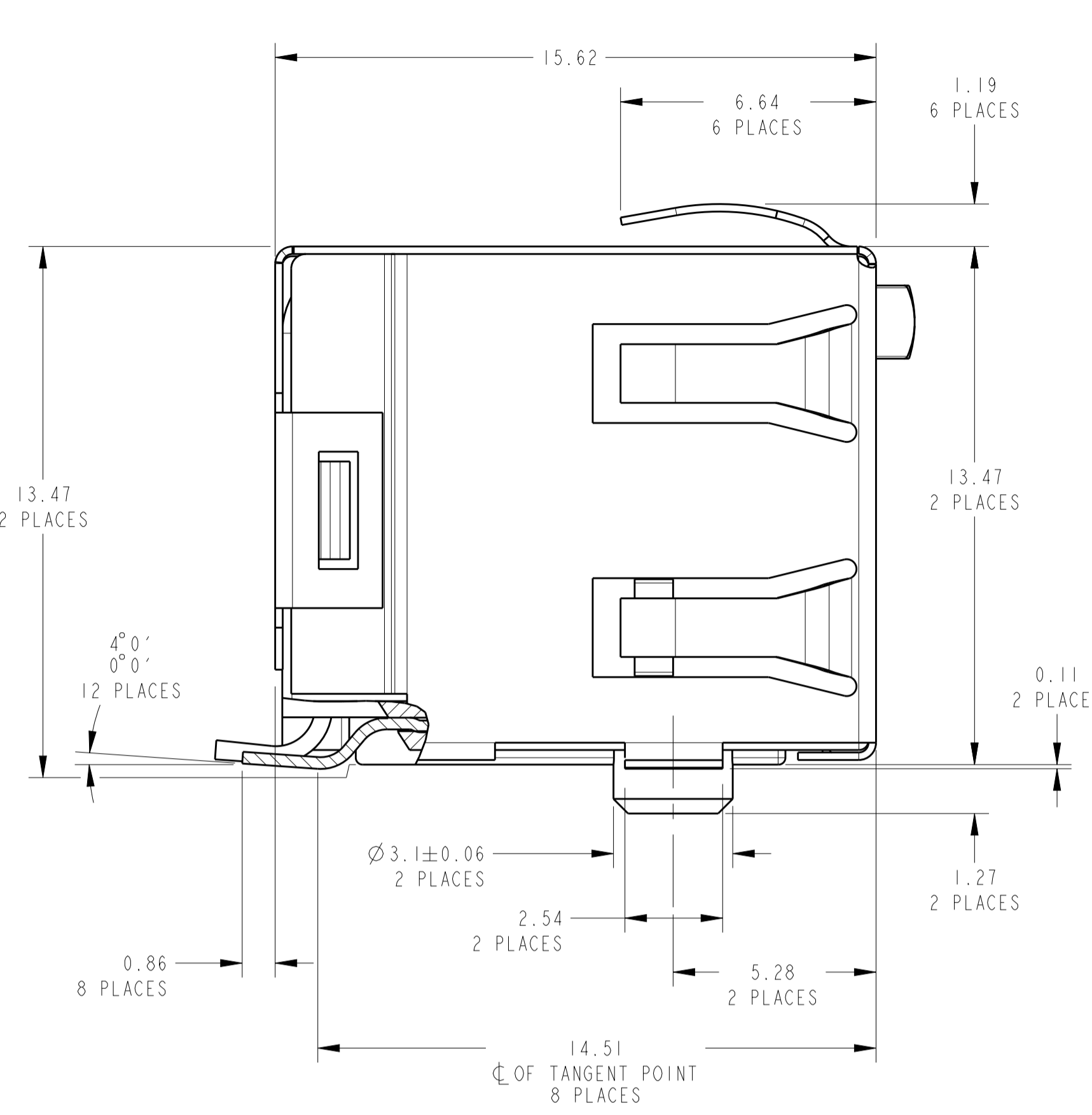


LOC	DIST	REV	DESCRIPTION	DATE	OWN	APVD
IR	-	E	HOUSING RAW MATERIAL CHANGED TO LCP	18NOV2011	PS	RRP
		E2	ECO-16-008897	14JUN2016	AD	SH
		E3	ECO-16-013653	09SEP2016	AD	SH
		F	ECO-18-006356	24APR2018	AD	SH



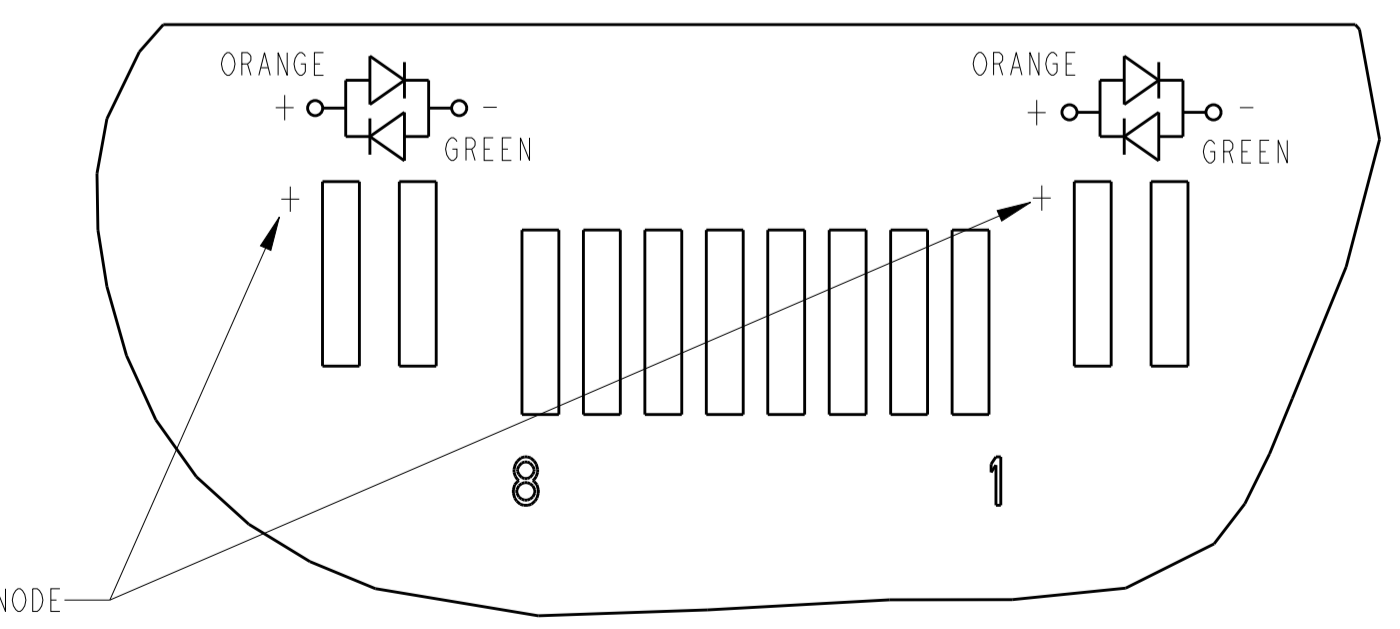
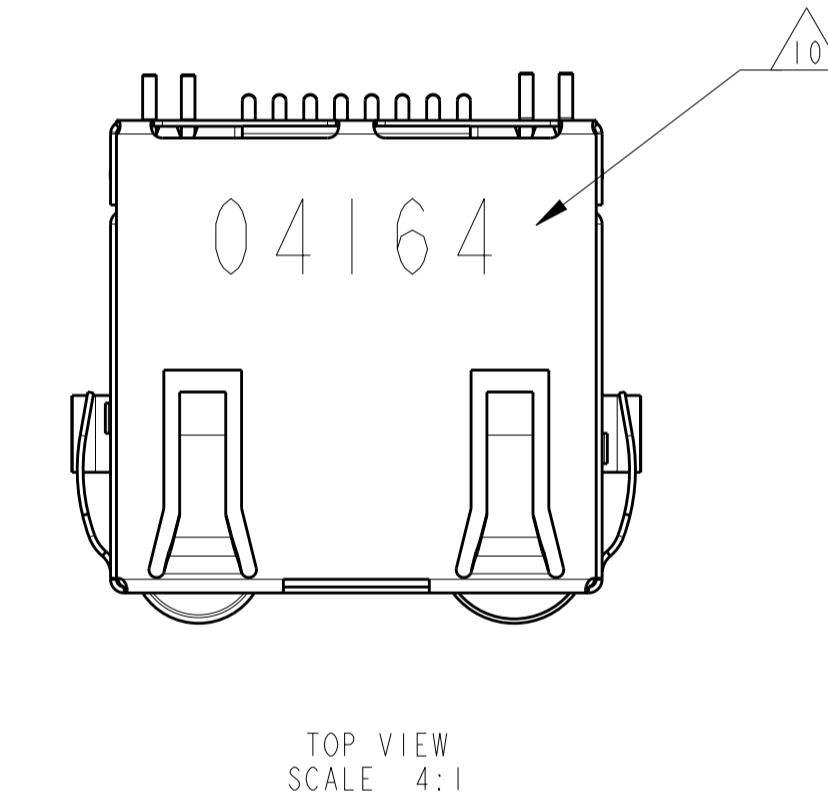
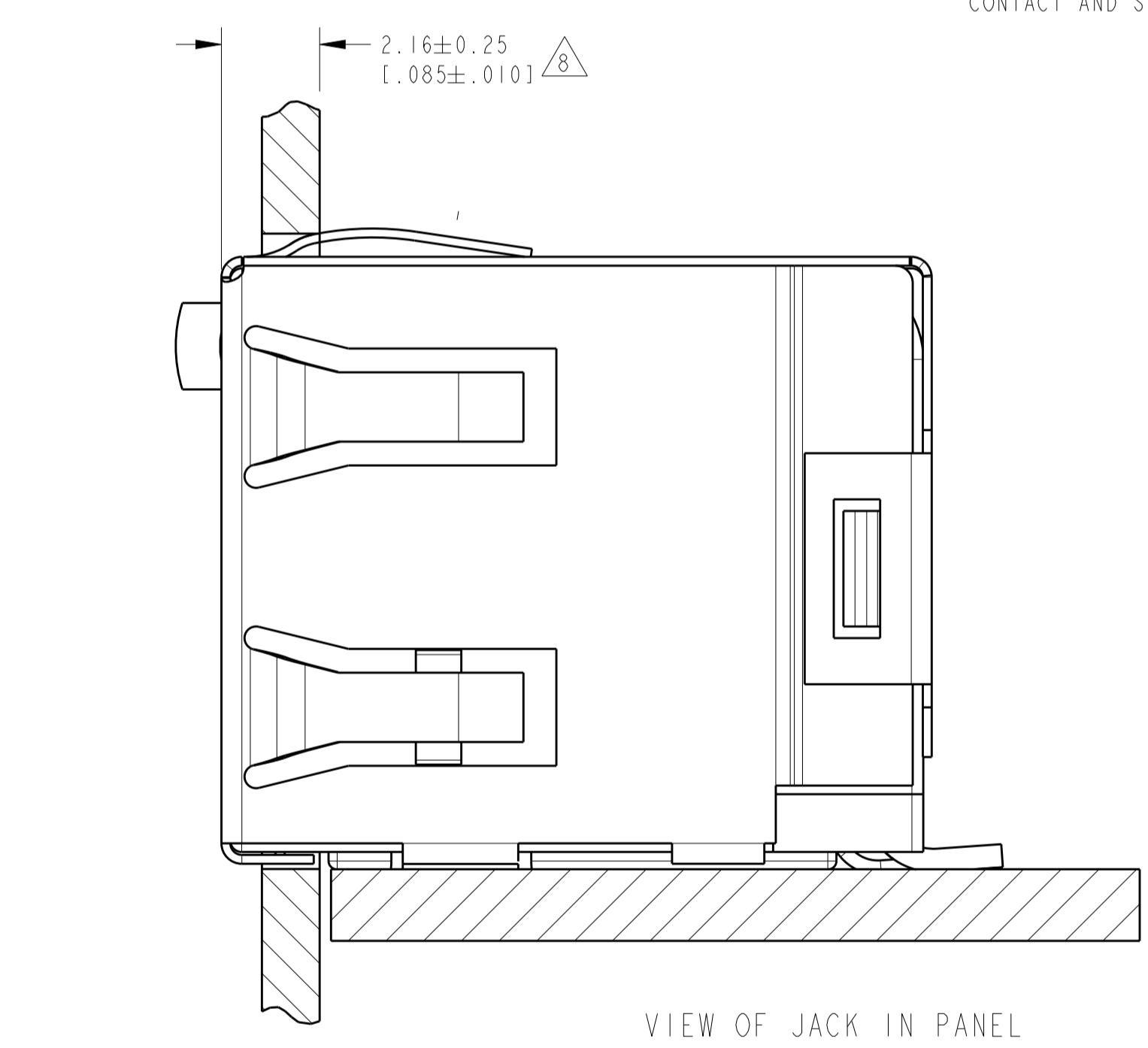
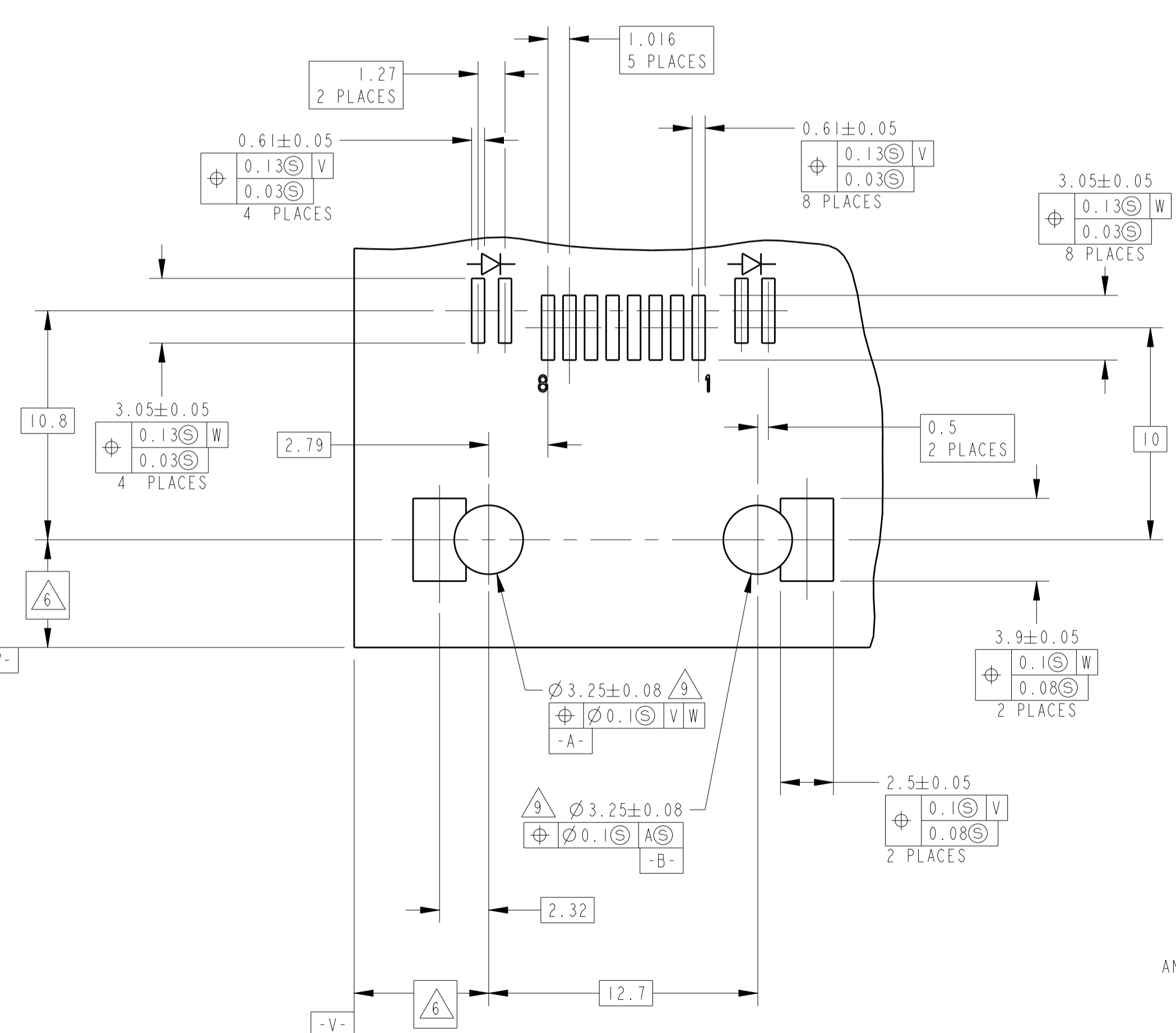
1. MATERIAL:
 HOUSING - HIGH TEMP THERMOPLASTIC - LCP, BLACK, UL94V-0
 TERMINALS - 0.30 THICK PHOS BRONZE PLATED WITH 3.81µm MINIMUM THICK MATTE TIN IN SOLDER AREA. 1.27µm MINIMUM GOLD IN LOCALIZED PLATE AREA. ENTIRE TERMINAL PLATED WITH 1.27µm MINIMUM THICK NICKEL.
 SHIELD - 0.196 THICK COPPER ZINC ALLOY PREPLATED WITH 2.03µm-3.81µm THICK MATTE TIN OVER 1.27µm THICK NICKEL.
 LIGHT EMITTING DIODE (LED) -- DIFFUSED EPOXY LENS, 0.51 X 0.51 (.020 X .020) CARBON STEEL WIREFRAME LEADS PREPLATED WITH 8.89 µm (.00080) THICK Ag OVER 1.02 µm (.00040) THICK Cu OVER 3.56 µm (.00140) THICK Ni OVER 1.02 µm (.00040) Cu UNDERPLATE.

2. JACK CAVITY CONFORMS TO FCC RULES AND REGULATIONS PART 68, SUBPART F

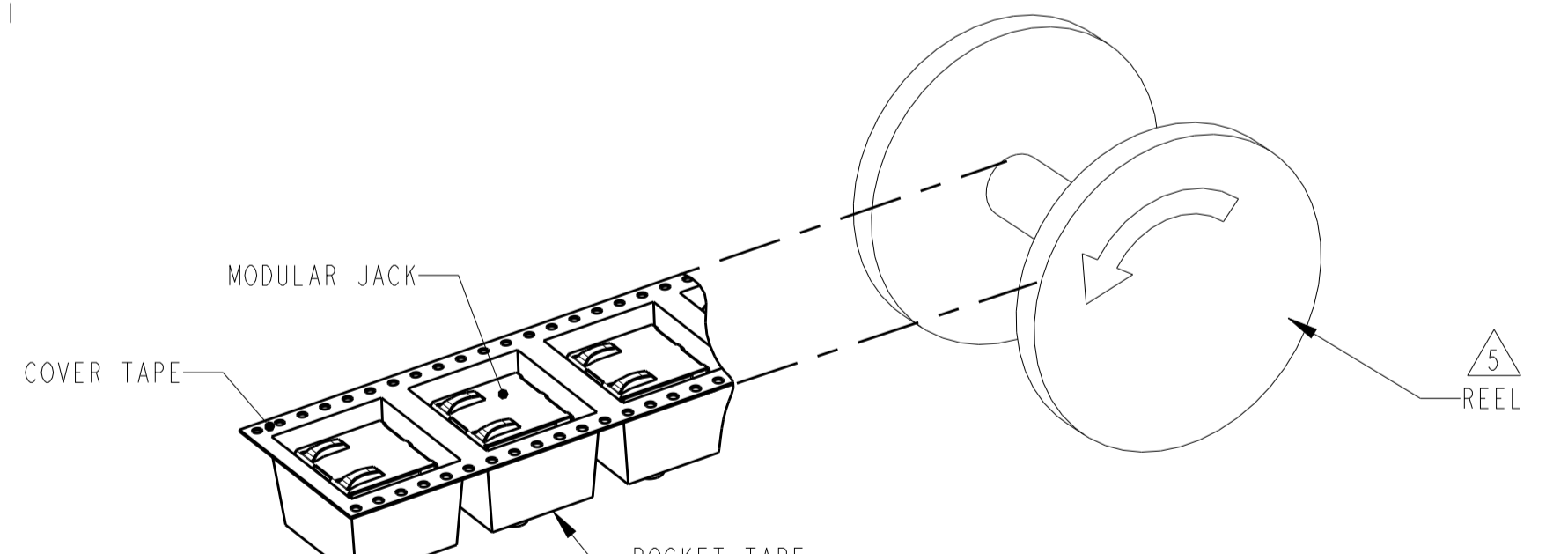
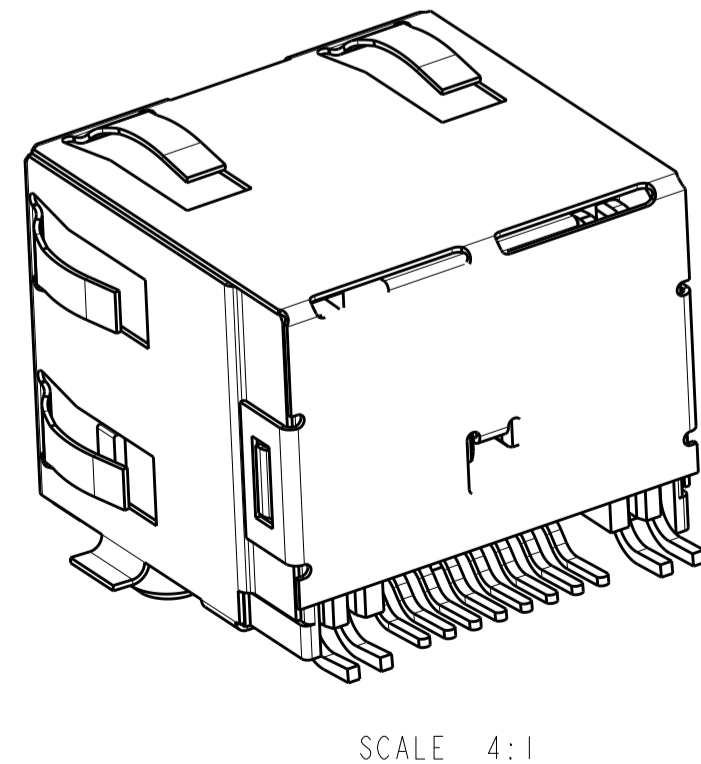
3. SUGGESTED PANEL OPENING DIMENSIONS. SEE APPLICATION SPEC 114-2154 FOR PANEL THICKNESS AND POSITION RECOMMENDATIONS

4. SUGGESTED CLEARANCE BETWEEN TOP OF CONNECTOR AND TOP PANEL OPENING

5. PACKAGED: POCKET TAPE & REEL (PER EAI 481 SPECIFICATIONS)
 POCKET TAPE WIDTH - 44mm
 POCKET PITCH - 24mm
 POCKET DEPTH - 16.7mm
 CLEAR COVER TAPE, PSA
 CLEAR COVER TAPE TRAILER - 610mm, WRAPPED ON REEL HUB
 PLASTIC REEL - 381mm DIAMETER
 PRODUCT QUANTITY - 200 PIECES PER REEL



BI-COLOR LED SCHEMATIC FOR 2-6339191-2 ONLY SCALE 8:1



- 6. DATUM ESTABLISHED BY CUSTOMER
- 7. SEE TABLE FOR COLOR OF LEDS AND NUMBER REQUIRED
- 8. CONNECTOR SHOULD BE POSITIONED THRU PANEL CUTOUT AS SHOWN TO SUPPORT TOP OF MODULAR JACK FOR STRAIN RELIEF
- 9. ZERO INSERTION FORCE POST WITH RECOMMENDED PCB LAYOUT
- 10. MANUFACTURING DATECODE LOCATED APPROX AS SHOWN FIRST 2 DIGITS ARE YEAR, SECOND 2 DIGITS ARE WORK WEEK, LAST DIGIT IS THE DAY OF WEEK
- 11. OBSOLETE PARTS: OBSOLETE CIS STREAMLINING PER D.RENAUD/D.SINSI.
- 12. COMPLY WIHT HIGH TEMPERATURE IR REFLOW PROCESS.
- 13. NO PRODUCTION PARTS

LED POSITION	LED COLOR	PART NUMBER
POSITION 2	ORANGE/GREEN	3-6339191-2
POSITION 1	GREEN	1-6339191-5
	GREEN	1-6339191-4
	GREEN	4-6339191-1
	YELLOW	3-6339191-1
	RED	2-6339191-3
	ORANGE/GREEN	2-6339191-2
	GREEN	2-6339191-1
	GREEN	6339191-5
	GREEN	6339191-4
	YELLOW	6339191-1
POSITION 2	ORANGE/GREEN	3-6339191-2
POSITION 1	ORANGE/GREEN	1-6339191-5
	GREEN	1-6339191-4
	GREEN	4-6339191-1
	YELLOW	3-6339191-1
	RED	2-6339191-3
	ORANGE/GREEN	2-6339191-2
	GREEN	2-6339191-1
	GREEN	6339191-5
	GREEN	6339191-4
	YELLOW	6339191-1
POSITION 2	ORANGE/GREEN	3-6339191-2
POSITION 1	ORANGE/GREEN	1-6339191-5
	GREEN	1-6339191-4
	GREEN	4-6339191-1
	YELLOW	3-6339191-1
	RED	2-6339191-3
	ORANGE/GREEN	2-6339191-2
	GREEN	2-6339191-1
	GREEN	6339191-5
	GREEN	6339191-4
	YELLOW	6339191-1

THIS DRAWING IS A CONTROLLED DOCUMENT. DWG: B. HOLTZCLAW & MAYER 27JULY2005
 CHK: J. WESTMAN 27JULY2005
 APVD: S. FLICKINGER 27JULY2005

TE Connectivity

INVERTED MODULAR JACK ASSEMBLY, 1x1, SHIELDED, SURFACE MOUNT, 8 POSITION, RJ45, WITH TWO LED'S

SCALE 5:1 SHEET 1 OF 1 REV F

单击下面可查看定价，库存，交付和生命周期等信息

[>>TE Connectivity\(泰科\)](#)