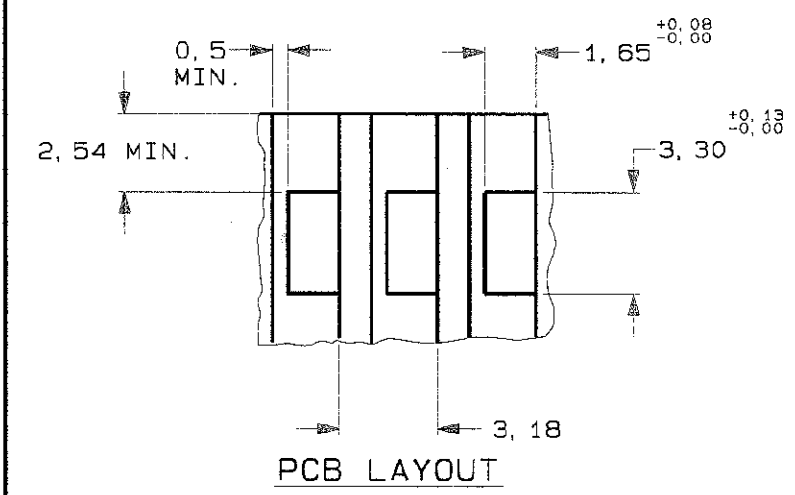
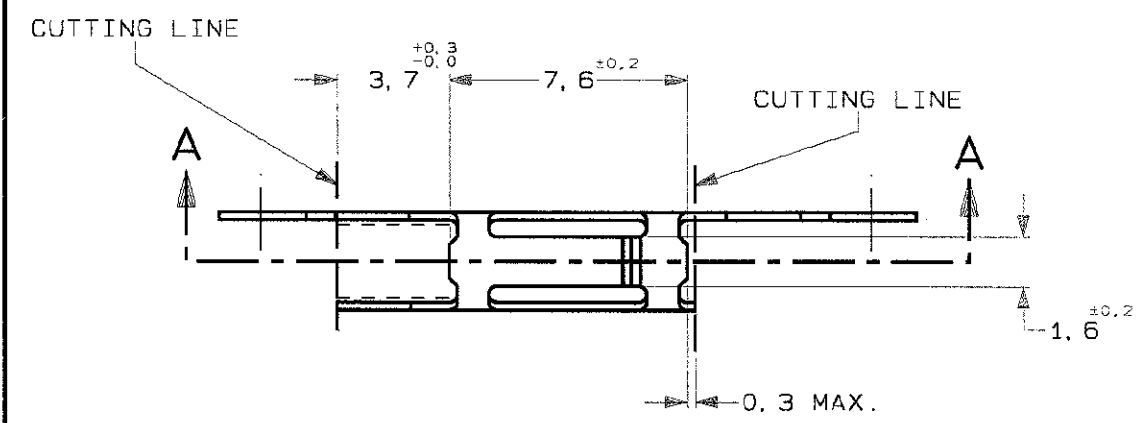
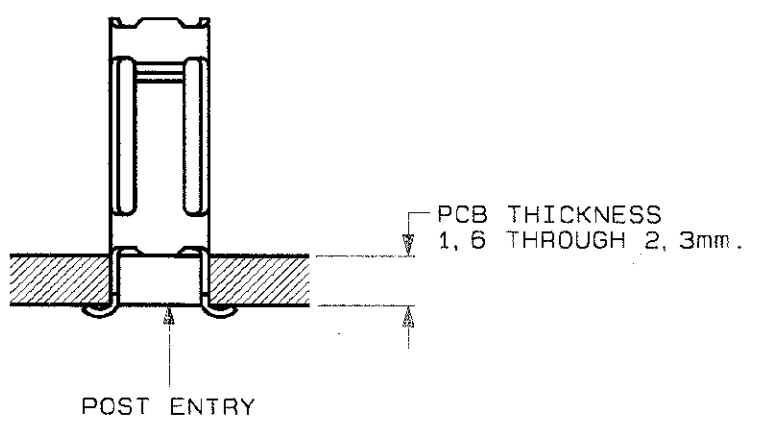
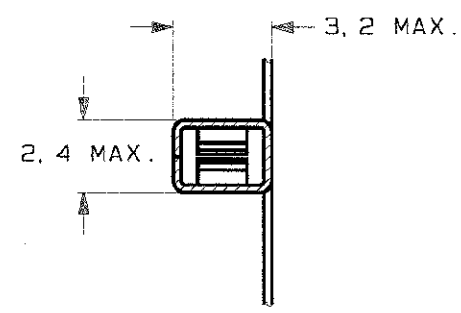
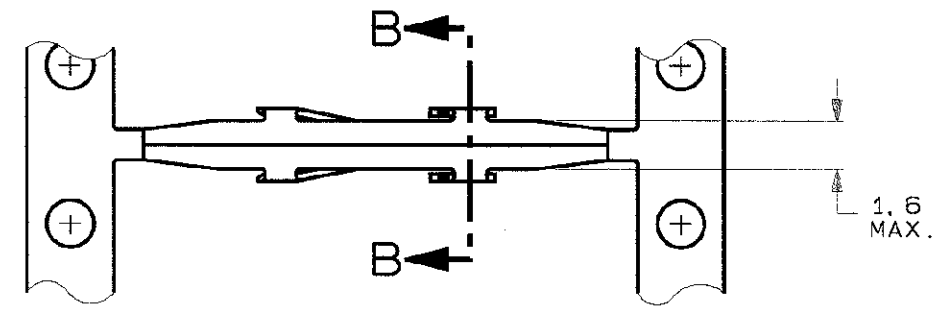
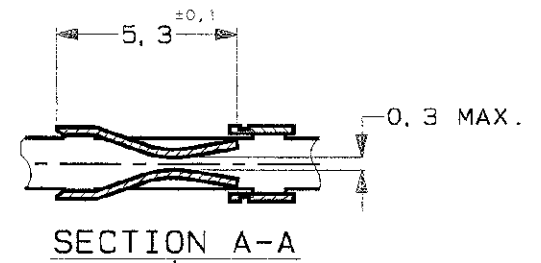


DO NOT SCALE
DIMENSIONS IN mm

METRIC

THIRD ANGLE
PROJECTION



- NOTES:
- MATERIAL : PHOSPHORBRONZE
 - 0,8µm PRETINNED ALL OVER WITH SOLDER REPELLENT STRIPE.

2	338383-1
FINISH	PARTNUMBER STRIP

CUSTOMER DRAWING					FOR REFERENCE ONLY WILL NOT BE UPDATED	
© COPYRIGHT 19- BY AMP HOLLAND B.V.					ALL INTERNATIONAL RIGHTS RESERVED. AMP PRODUCTS MAY BE COVERED BY U.S. AND FOREIGN AND/OR PATENTS PENDING.	
THIS DRAWING IS UNPUBLISHED					RELEASED FOR PUBLICATION	
AMP					AMP HOLLAND B.V. 's-Hertogenbosch, The Netherlands.	
NAME					AMP MODU MODI FEMALE CONTACT BOTTOM ENTRY (TYPE A)	
0	EH-1056-97	JvL	RB	30-09-97		
LTR.	REVISION RECORD	DR.	CHK.	DATE		
DR.:	J.v.LIEMPT	CHK.:	RB	APP.:	EXTENS	DWG. No.
DATE:	30 SEP 97	DATE:	25/10/97	DATE:	24/10/97	C-338383
					REV. LTR.	SHEET
					0	1 OF 1
					A3	

单击下面可查看定价，库存，交付和生命周期等信息

[>>TE Connectivity\(泰科\)](#)