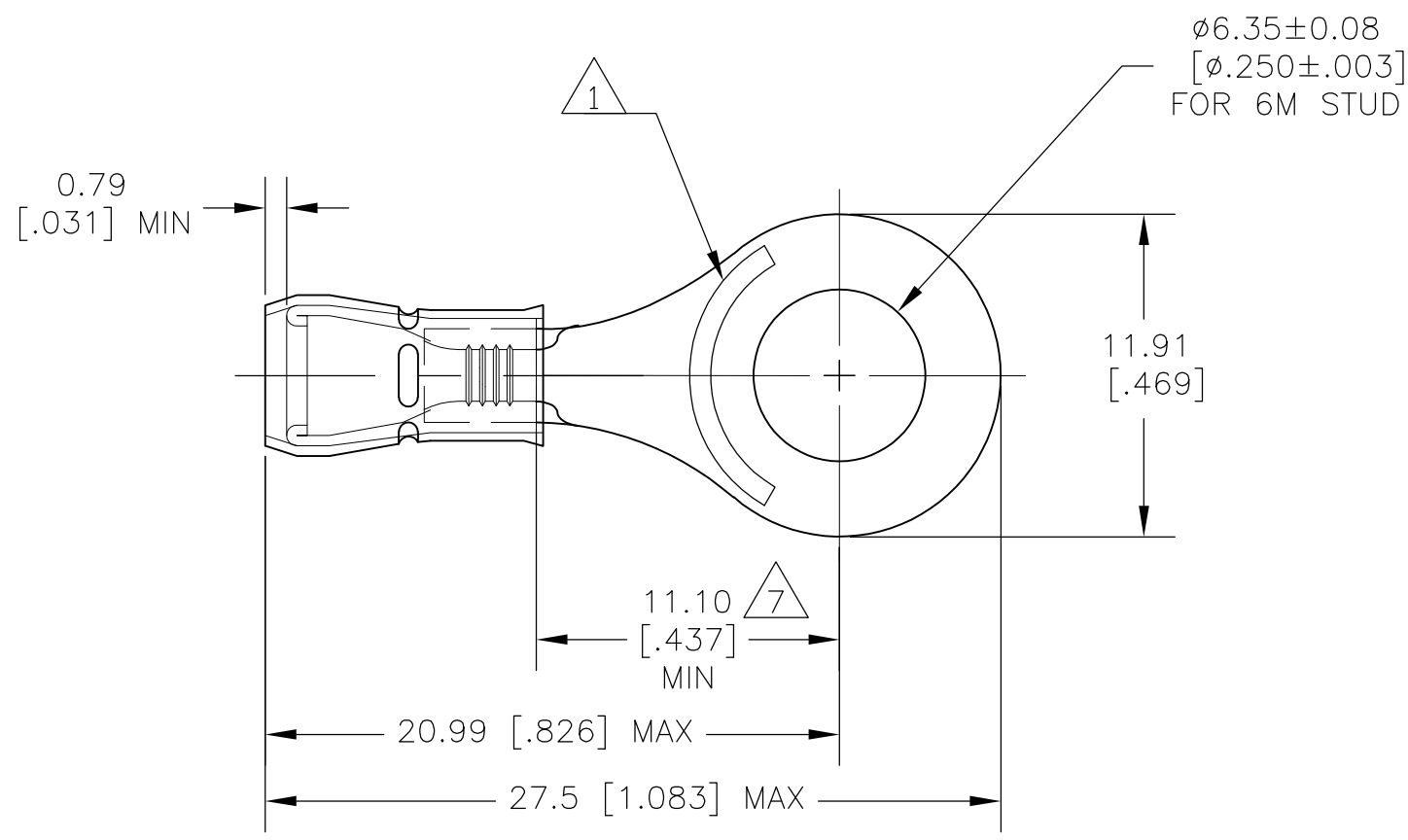


LOC	DIST	REVISIONS					
G	02	P	LTR	DESCRIPTION	DATE	DWN	APVD
			H1	REVISED PER ECO-11-004917	11MAR11	RK	HMR

**AMP**  
WIRE RANGE  
22-16 AWG  
SOLID OR STRANDED



- 1 STAMP "AMP 22-18\*" APPROX AS SHOWN, 22-16 TERMINALS ARE STAMPED 22-18 IN ACCORDANCE WITH MILITARY SPECIFICATION MIL-T-7928, COMMERCIAL WIRE RANGE IS 22-16.
- 2 MATERIAL: TERMINAL & SLEEVE- COPPER PER ASTM B-152, ANNEALED. INSULATION - NYLON, COLOR RED
- 3 FINISH: TERMINAL & SLEEVE- 0.00254 [.000100] MIN TIN PLATE PER ASTM B-545
- 4 FINISH: TERMINAL & SLEEVE- TIN PLATE PER SNCF REQUIREMENTS
- 5 WIRE INSULATION DIA 2.7-3.6 [.105-.140]
- 6 TONGUE MATERIAL THK: 0.79±0.05 [.031±.002]
- 7 DIMENSION APPLIES FROM EDGE OF WIRE BARREL TO CENTER OF STUD HOLE.
- 8 MAX RECOMMENDED OPERATING TEMP 105°C [221°F]
- 9 VOLTAGE RATING IS 300 V MAX
- 10 0.26-1.65mm<sup>2</sup> [509-3,260] CMA, STRANDED

SUPERSEDED BY 130046	1000	LOOSE PIECE	4	130046-1
	1000	LOOSE PIECE	3	130046
	QTY	PACKAGING TYPE	FINISH	PART NO

THIS DRAWING IS A CONTROLLED DOCUMENT.		DWN jr_ruth 28OCT09	<b>STE</b> TE Connectivity	
DIMENSIONS: mm[INCHES]		CHK T MICHIELUTTI 28OCT09		
TOLERANCES UNLESS OTHERWISE SPECIFIED:		APVD T MICHIELUTTI 28OCT09	NAME TERMINAL, RING TONGUE, PIDG, WIRE SIZE, 22-16 AWG	
0 PLC ± - 1 PLC ± - 2 PLC ± - 3 PLC ± 0.20 [.008] 4 PLC ± - ANGLES ± -		PRODUCT SPEC -	SIZE A3	
MATERIAL 2	FINISH SEE TABLE	APPLICATION SPEC -	CAGE CODE 00779	DRAWING NO C-130046
CUSTOMER DRAWING			RESTRICTED TO -	SCALE 4:1
			SHEET 1 of 1	REV H1

单击下面可查看定价，库存，交付和生命周期等信息

[>>TE Connectivity\(泰科\)](#)