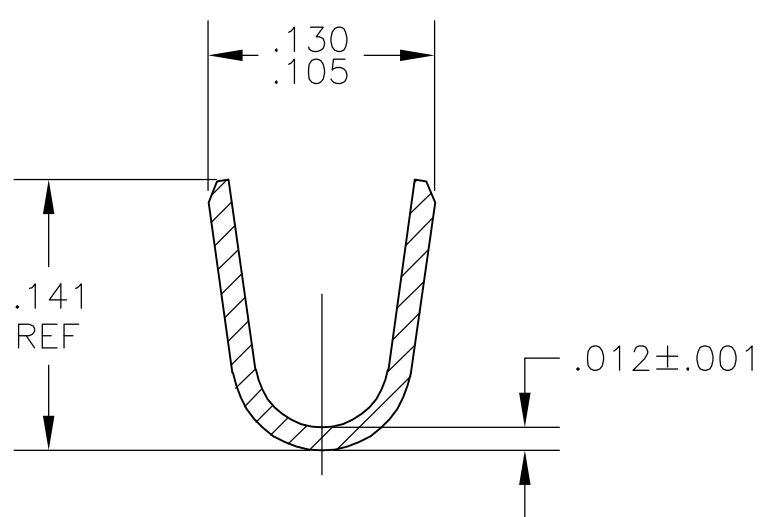
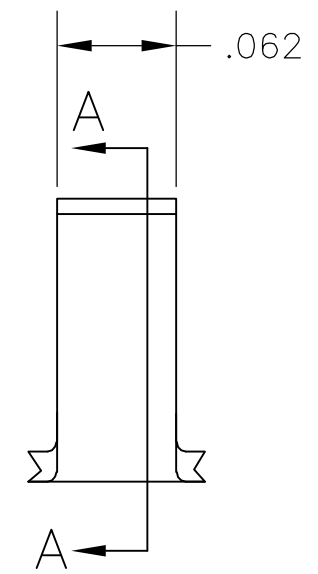
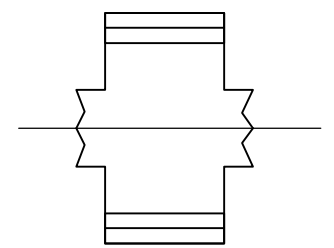


THIS DRAWING IS UNPUBLISHED. RELEASED FOR PUBLICATION
 © COPYRIGHT BY TYCO ELECTRONICS CORPORATION. ALL RIGHTS RESERVED.

LOC	DIST	REVISIONS			
P	LTR	DESCRIPTION	DATE	DWN	APVD
AF	50	H1	ECR-07-006113(REDRAWN IN AUTOCAD)	18JAN07	HMR GP

- 1 CONTINUOUS STRIP ON REELS.
- 2 WIRE RANGE: 2200 TO 4500 CMA



SECTION A-A

41215
PART NO

THIS DRAWING IS A CONTROLLED DOCUMENT.		DWN RAGHAVENDRA 18JAN07	Tyco Electronics Corporation Harrisburg, Pa 17105-3608				
DIMENSIONS: INCHES		CHK G.D.PORTA 18JAN07					
		APVD G.D.PORTA 18JAN07	NAME				
TOLERANCES UNLESS OTHERWISE SPECIFIED: 0 PLC ± - 1 PLC ± - 2 PLC ± - 3 PLC ± .010 4 PLC ± - ANGLES ± -		PRODUCT SPEC	SPLICE				
MATERIAL STEEL		FINISH .000100 MIN NICKEL	APPLICATION SPEC	SIZE A3	CAGE CODE 00779	DRAWING NO C-41215	RESTRICTED TO
CUSTOMER DRAWING			WEIGHT	SCALE 10:1		SHEET 1 OF 1	REV H1

单击下面可查看定价，库存，交付和生命周期等信息

[>>TE Connectivity\(泰科\)](#)