

THIS DRAWING IS UNPUBLISHED.

RELEASED FOR PUBLICATION

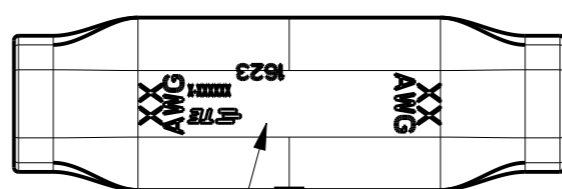
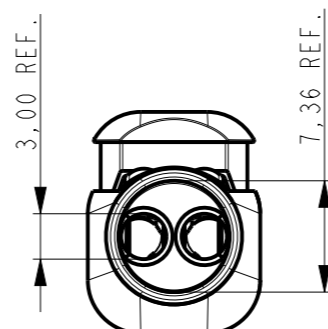
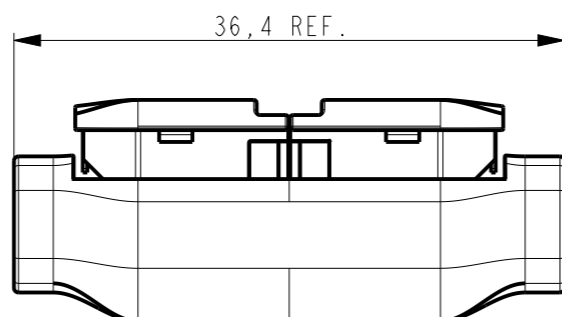
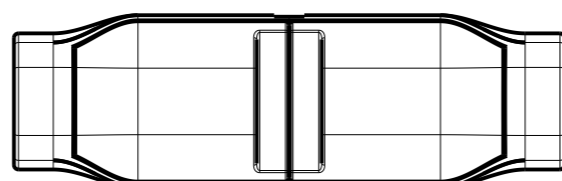
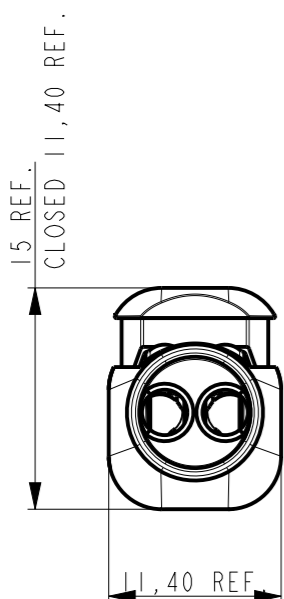
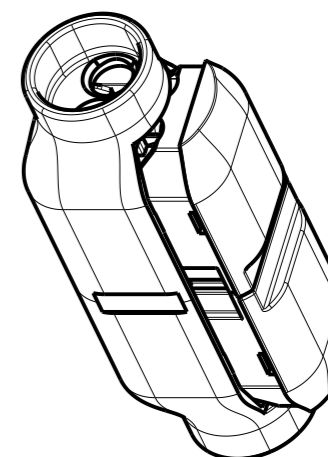
© COPYRIGHT - new logo 2011

ALL RIGHTS RESERVED.

LOC	DIST	REVISIONS					
H	-	P	LTR	DESCRIPTION	DATE	DWN	APVD
			A	ECR-16-015010	24OCT2016	KR	MvE
			B	ECR-17-008373	16OCT2017	RK	PO
			C	U/D Logo UL Listed to cURus	12NOV2020	VR	VY
			D	U/D IP marking	06JAN2021	VR	VY

NOTES:

- 1 CONNECTOR ACCEPTS MULTIPLE WIRES SIZES: SEE TABLE.
- 2 HOUSING AND BUTTON MATERIAL : POLYCARBONATE
- 3 IDC CONTACT MATERIAL: PhBR
- 4 PRINTING LOGO'S: cURus, KEMA, PARTNUMBER, TE, DATE CODE, WIRE SIZE, IP CLASS.
- 5 WIRE INSULATION DIAMETER RANGE IS FROM 1.75 TO 2.85 mm



BUTTON COLOR	HOUSING COLOR	PARTNUMBER	DESCRIPTION	CABLE SIZE
BLUE	CLEAR	2213800-4	SPLICING CONNECTOR SEALED	AWG 20 (0.52mm <sup>2</sup> ) / AWG 22 (0.33mm <sup>2</sup> )
GREEN		2213800-3	SPLICING CONNECTOR UNSEALED	AWG 20 (0.52mm <sup>2</sup> ) / AWG 22 (0.33mm <sup>2</sup> )
BLUE		2213800-2	SPLICING CONNECTOR SEALED	AWG 18 (0.82mm <sup>2</sup> ) TO 0.75mm <sup>2</sup>
GREEN		2213800-1	SPLICING CONNECTOR UNSEALED	AWG 18 (0.82mm <sup>2</sup> ) TO 0.75mm <sup>2</sup>

THIS DRAWING IS A CONTROLLED DOCUMENT.		DWN 06JAN2021 Villard, Romain	TE Connectivity	
DIMENSIONS: mm		CHK 06JAN2021 Villard, Romain		
TOLERANCES UNLESS OTHERWISE SPECIFIED:		APVD 12NOV2020 Villardier, Yannick	NAME N. S. COOLSPLICE	
0 PLC ±		PRODUCT SPEC 108-133061	-	
1 PLC ±0.2		APPLICATION SPEC 114-133061	-	
2 PLC ±0.15		WEIGHT -	SIZE A3	CAGE CODE 00779
3 PLC ±		CUSTOMER DRAWING	DRAWING NO C-2213800	RESTRICTED TO -
4 PLC ±			SCALE 2:1	SHEET 1 OF 1
ANGLES ±				
FINISH SEE NOTES				

单击下面可查看定价，库存，交付和生命周期等信息

[>>TE Connectivity\(泰科\)](#)