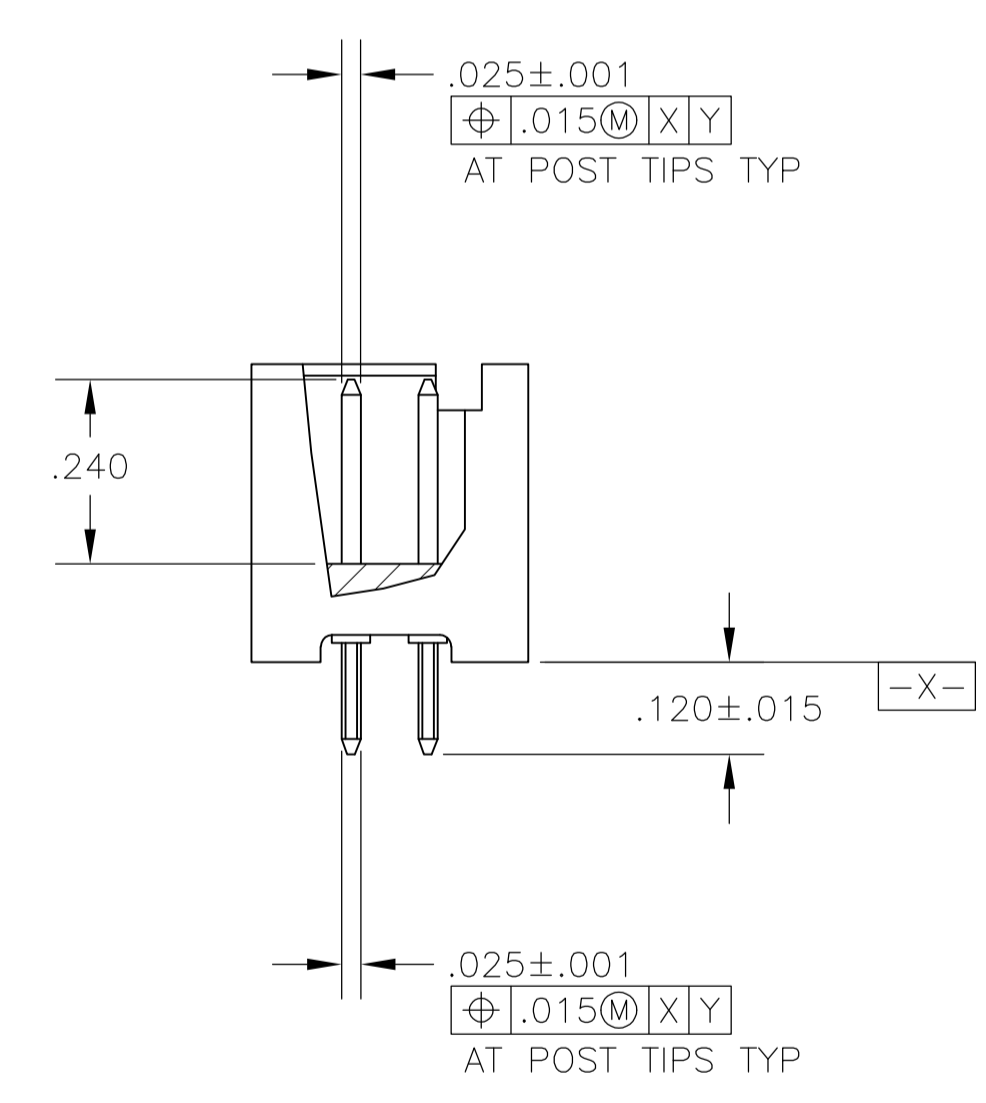
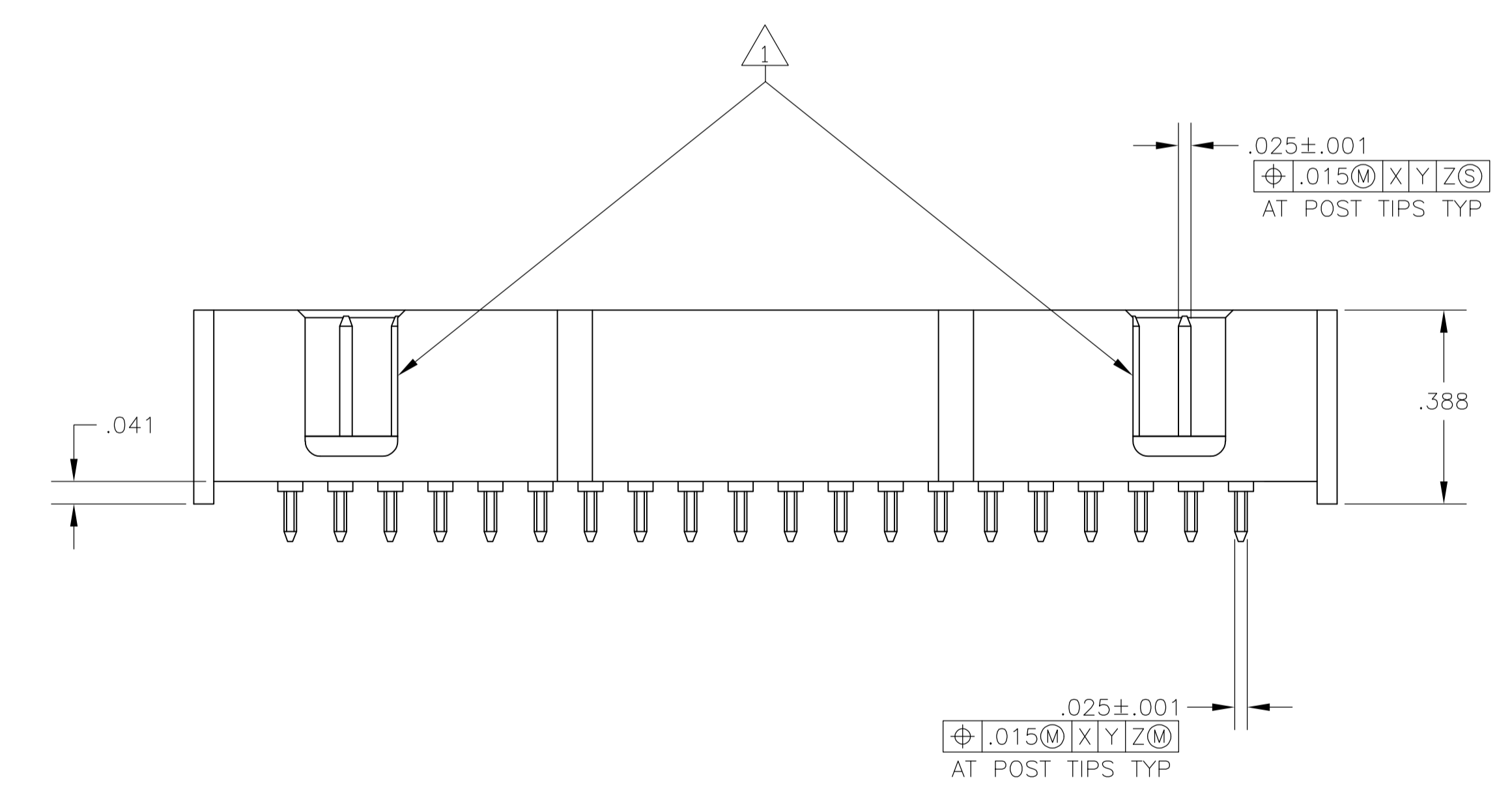
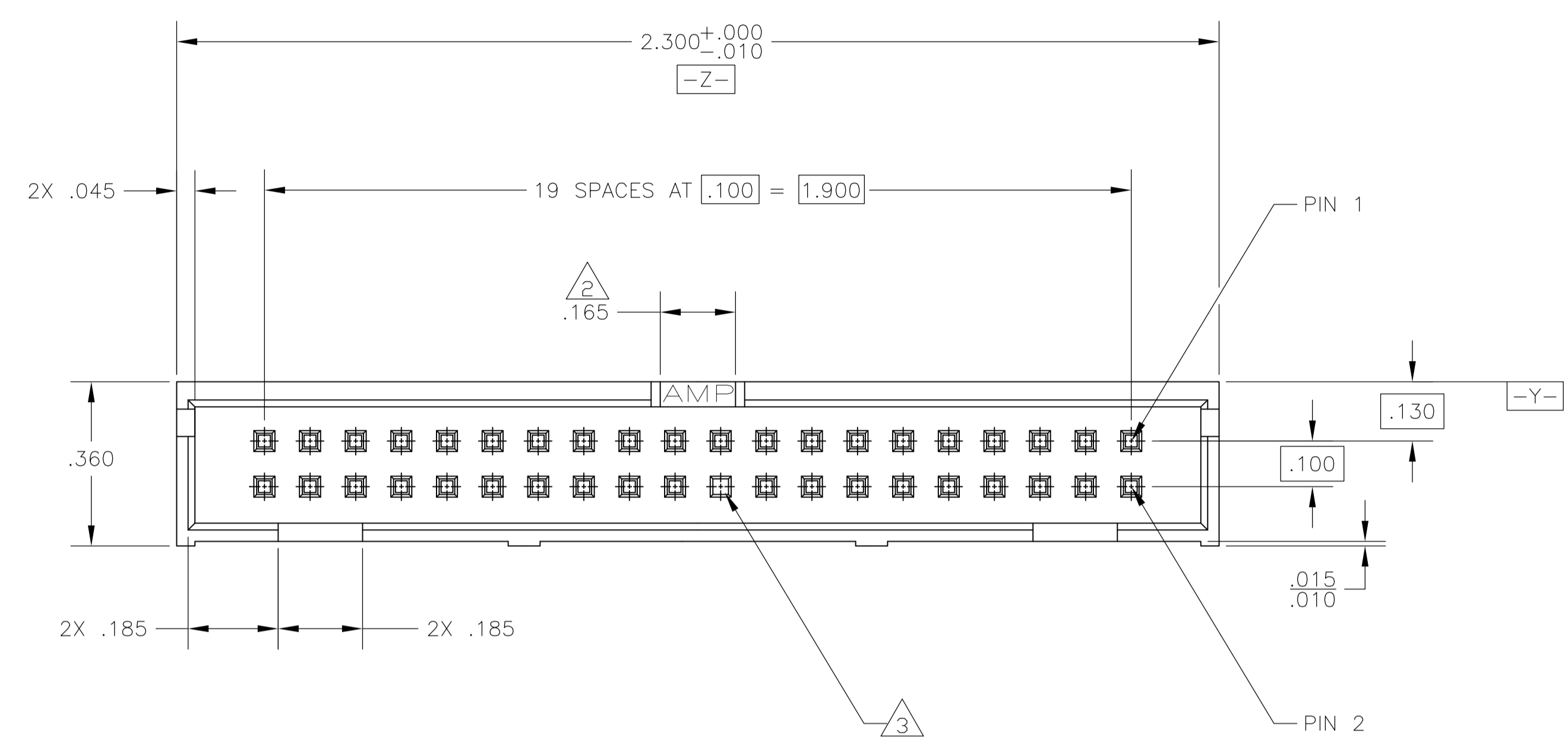
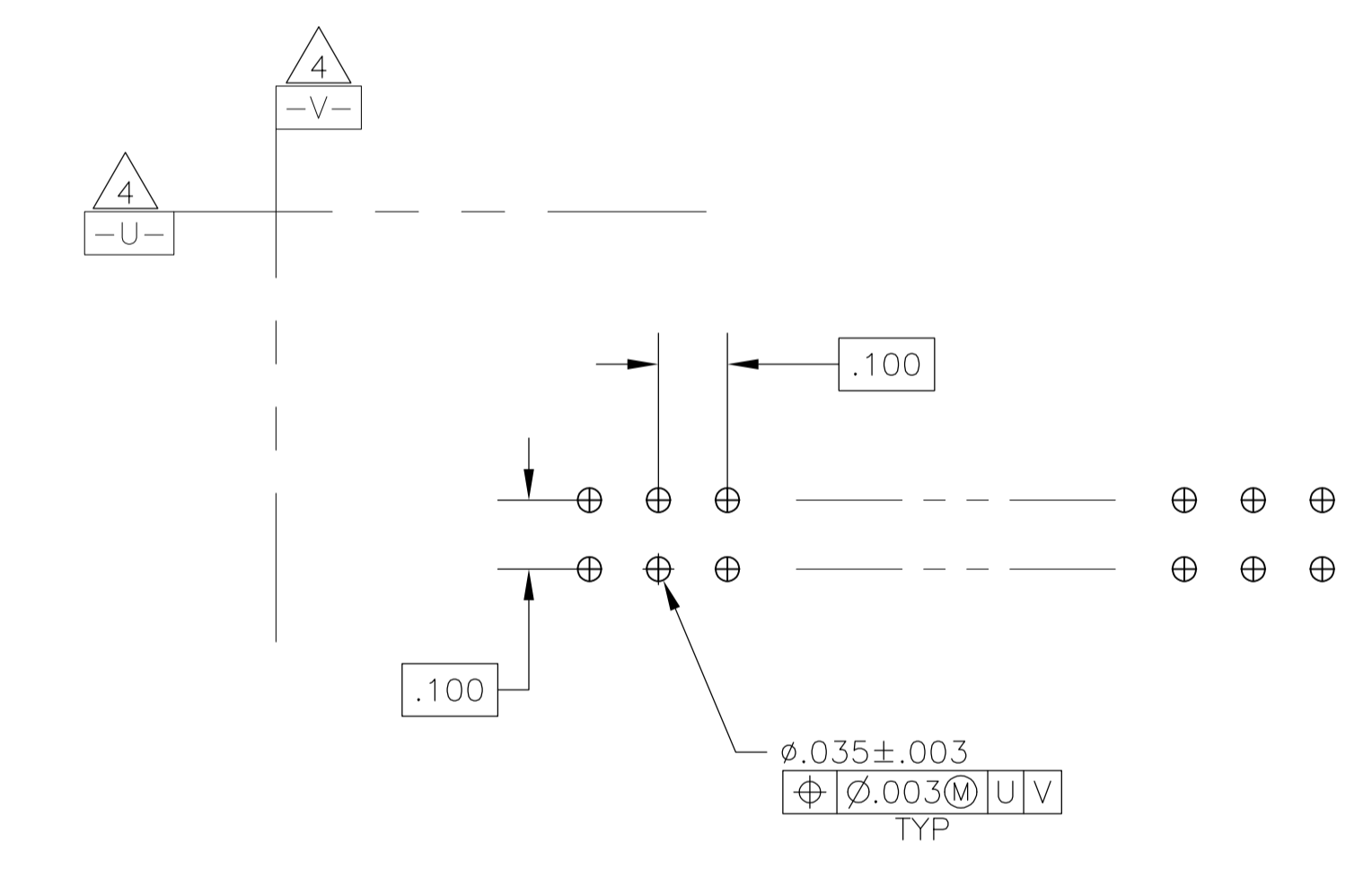


LOC		DIST		REVISIONS			
P	LTR	DESCRIPTION	DATE	DN	APVD		
E		REVISED PER ECO-11-003735	16MAR2011	CJV	SLB		



- 1 DOUBLE BAR POLARIZATION SLOTS.
- 2 CENTER POLARIZATION SLOT.
- 3 POST OMITTED IN POSITION NO. 20.
- 4 DATUMS U AND V TO BE ESTABLISHED BY THE CUSTOMER.
- 5 HOUSING: GLASS FILLED NYLON OR PBT, BLACK, UL 94V-0 RATED. POSTS: BRASS.
- 6 POSTS: GOLD FLASH OVER PALLADIUM-NICKEL PLATE, .000015 MIN TOTAL ON THE MATING SURFACES, .000100 MIN TIN PLATE ON THE SOLDER-TAILS, .000050 MIN NICKEL UNDERPLATE ON THE ENTIRE POST.
-OR-
.000015 MIN GOLD PLATE ON THE MATING SURFACES, .000100 MIN TIN PLATE ON THE SOLDER-TAILS, .000050 MIN NICKEL UNDERPLATE ON THE ENTIRE POST.
- 7 GOLD FLASH ON MATING AREA, .000100 MIN TIN ON SOLDER END, ALL OVER .000050 MIN NICKEL ON ENTIRE POST.



RECOMMENDED PCB LAYOUT

6	1888188-2
7	1888188-1
POST FINISH	PART NUMBER

THIS DRAWING IS A CONTROLLED DOCUMENT.		DWN C. LAUBACH 14 DEC 05 CHK S. BOLASH 14 DEC 05 APVD M. WALMSLEY 14 DEC 05	Tyco Electronics Corporation Harrisburg, PA 17105-3608
DIMENSIONS: INCHES 0 PLC ± - 1 PLC ± - 2 PLC ± - 3 PLC ± .005 4 PLC ± - ANGLES ± -	TOLERANCES UNLESS OTHERWISE SPECIFIED: 0 PLC ± - 1 PLC ± - 2 PLC ± - 3 PLC ± .005 4 PLC ± - ANGLES ± -	NAME: M. WALMSLEY PRODUCT SPEC: 108-40018 APPLICATION SPEC:	NAME: HEADER ASSY, 40 POSITION, VERTICAL, LOW PROFILE, AMP-LATCH SIZE: A1 CAGE CODE: 00779 DRAWING NO: 1888188
MATERIAL: 5	FINISH: SEE TABLE	WEIGHT: -	RESTRICTED TO: -
CUSTOMER DRAWING		SCALE: 4:1	SHEET 1 OF 1 REV E

单击下面可查看定价，库存，交付和生命周期等信息

[>>TE Connectivity\(泰科\)](#)