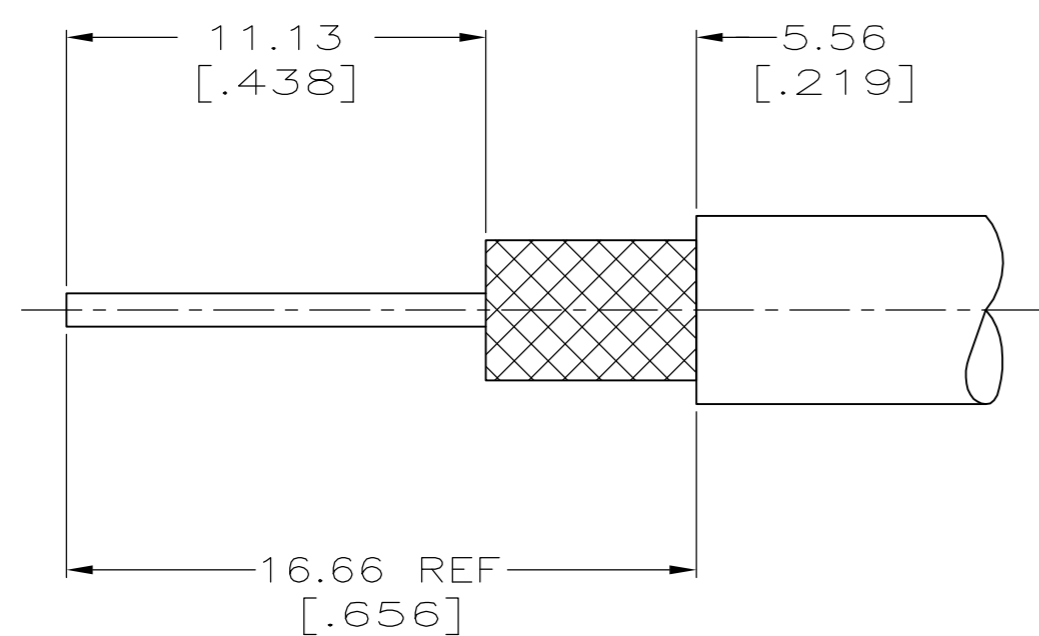


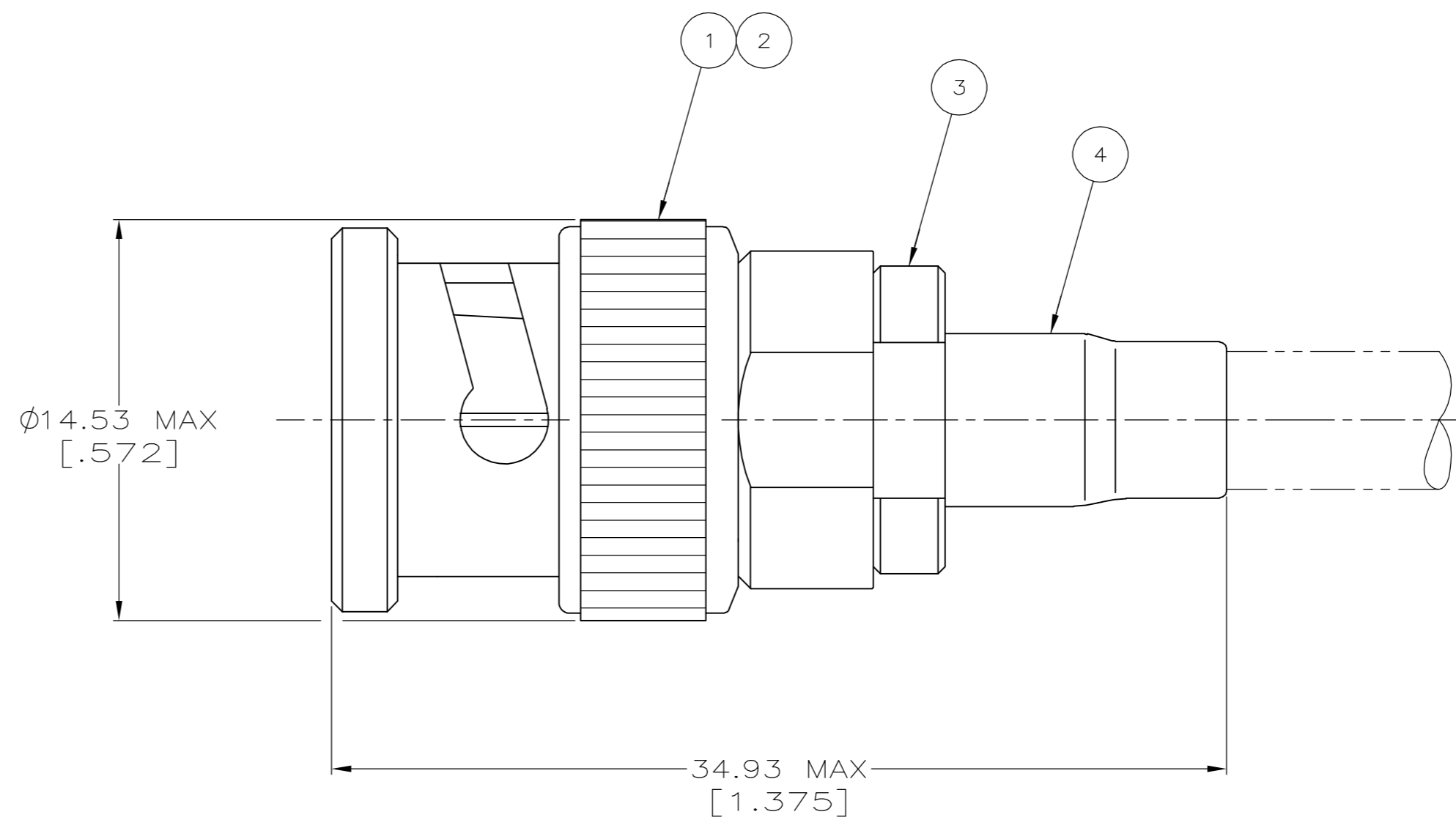
THIS DRAWING IS UNPUBLISHED. RELEASED FOR PUBLICATION
 © COPYRIGHT BY TYCO ELECTRONICS CORPORATION. ALL RIGHTS RESERVED.

LOC	DIST	REVISIONS			
P	LTR	DESCRIPTION	DATE	DWN	APVD
AJ	16	0	REV PER EC-0S14-0496-04	03FEB2005	AF JL

- 1. CRIMP TOOL: 69140-1
- ② WEIGHT: .412 OZ
- 3. SEE I.S. 1799-1



RECOMMENDED STRIP LENGTH



RG-58/U,58A/U,58B/U & 58C/U	9-328663-0	9-50780-5	2-329106-1	9-329327-1	2-5329082-1
CABLE SIZE	④ FERRULE QTY=1	③ CRIMP END ASSEMBLY QTY=1	② GASKET QTY=1	① PLUG ASSEMBLY QTY=1	PART NUMBER

THIS DRAWING IS A CONTROLLED DOCUMENT.		DWN A. FERNANDEZ-DOCK5 03FEB2005	Tyco Electronics Corporation Harrisburg, PA 17105-3608	
DIMENSIONS: INCHES		CHK J. HAVENER 03FEB2005	NAME PLUG,SERIES BNC	
TOLERANCES UNLESS OTHERWISE SPECIFIED:		APVD J. LIPPERT 03FEB2005	PRODUCT SPEC	
0 PLC ± - 1 PLC ± - 2 PLC ± 0.41 [.016] 3 PLC ± - 4 PLC ± - ANGLES ± -		APPLICATION SPEC		
MATERIAL		WEIGHT	SCALE	RESTRICTED TO
-		②	A2 00779 C=5329082	-
FINISH		CUSTOMER DRAWING		SCALE 5:1 SHEET 1 OF 1 REV 0

单击下面可查看定价，库存，交付和生命周期等信息

[>>TE Connectivity\(泰科\)](#)