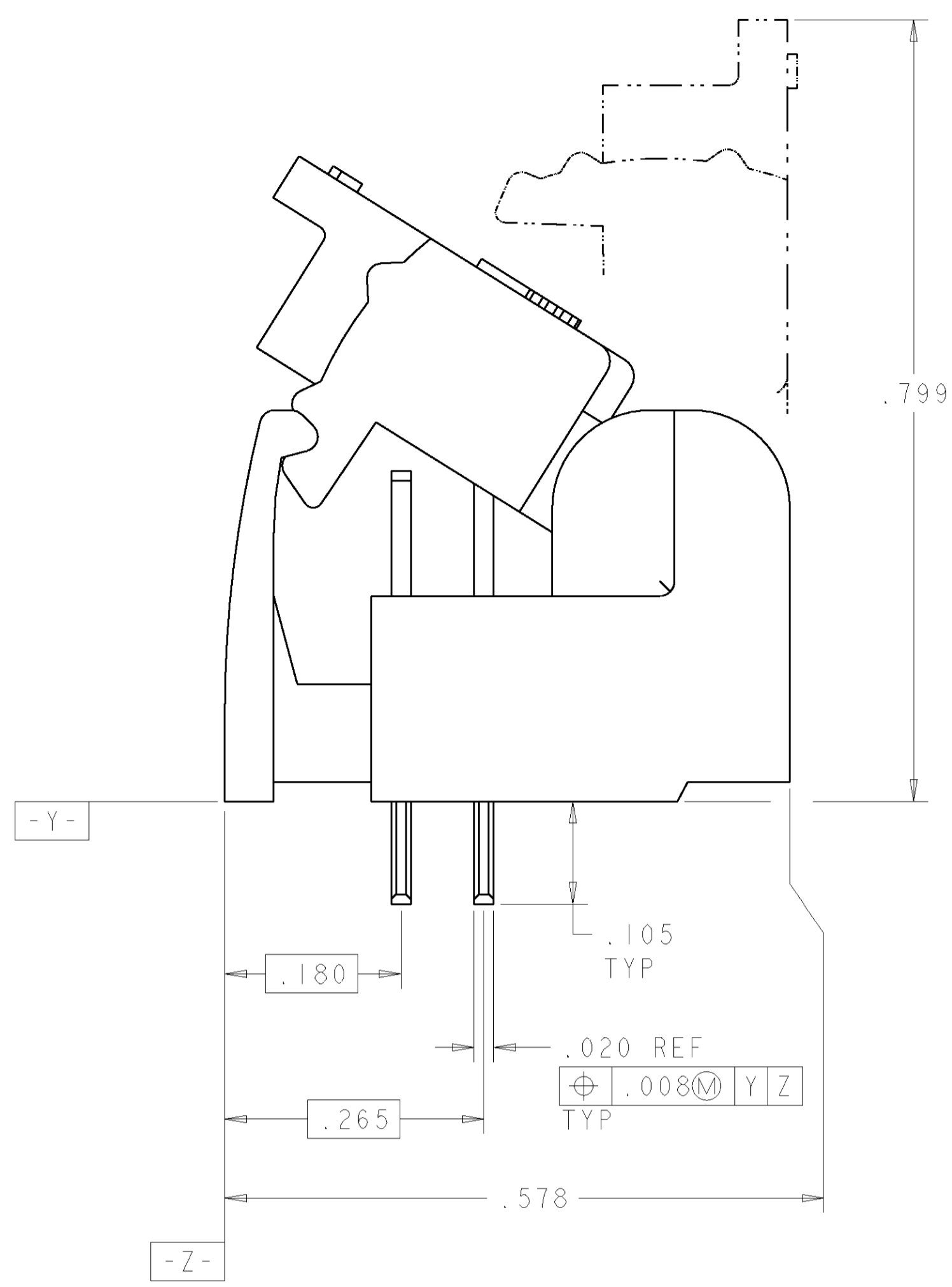
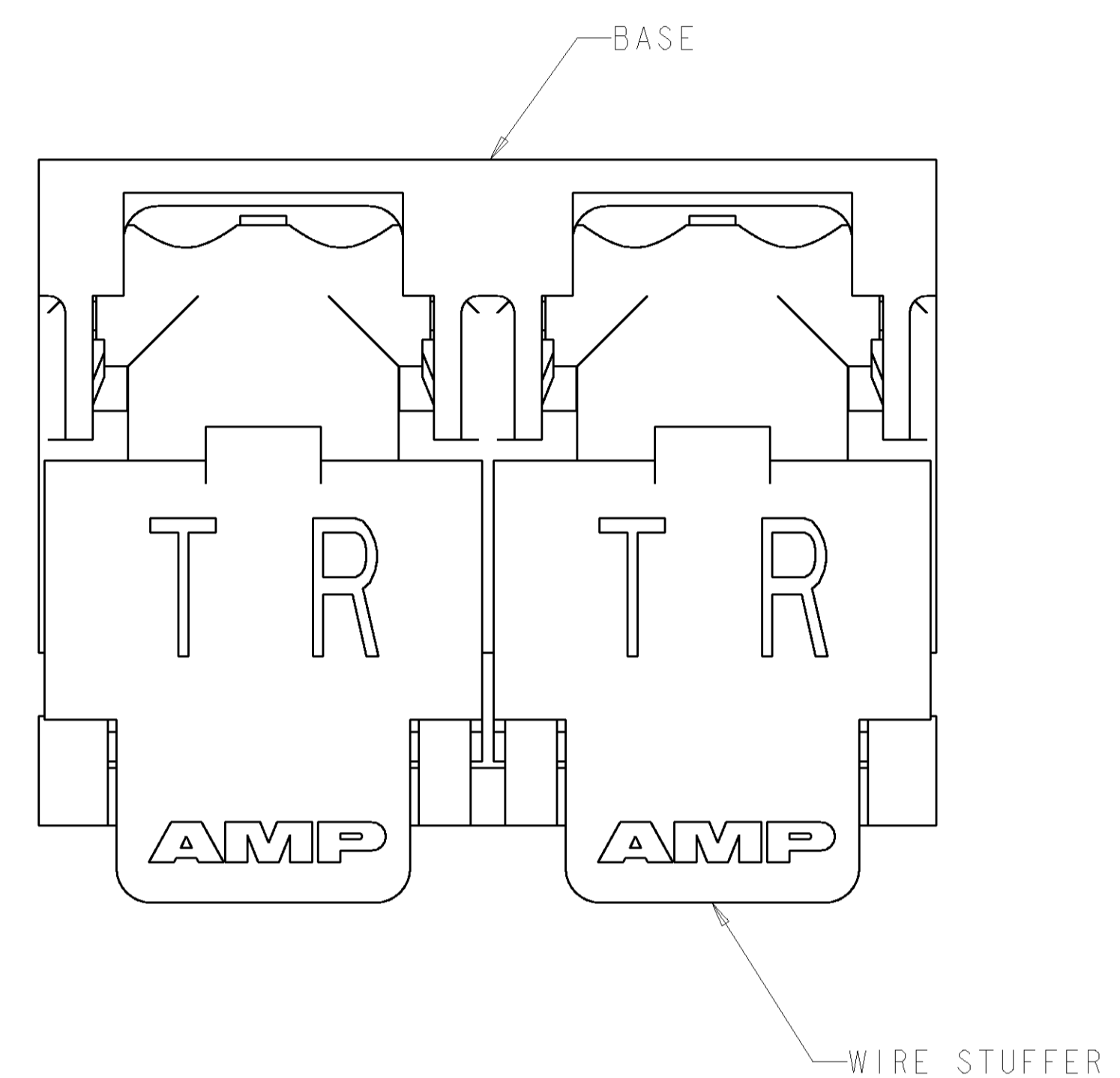
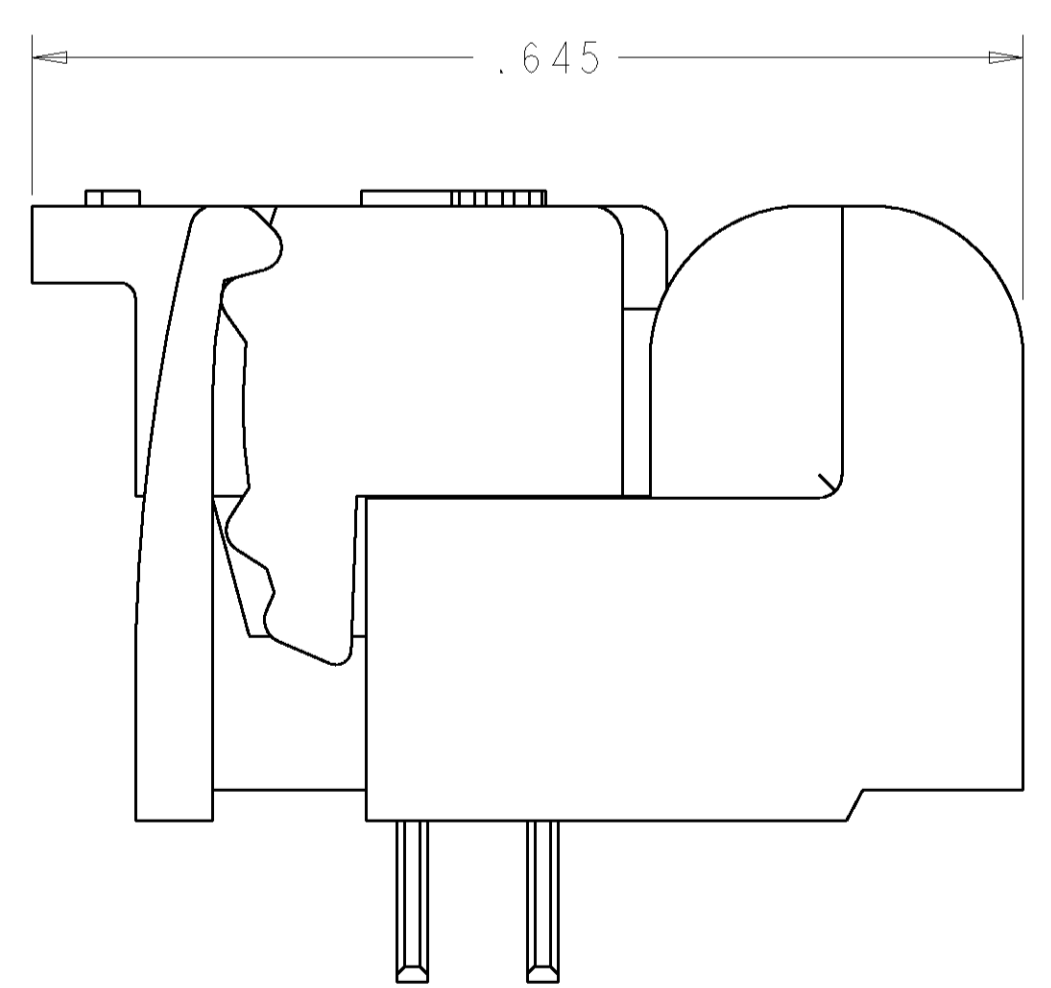
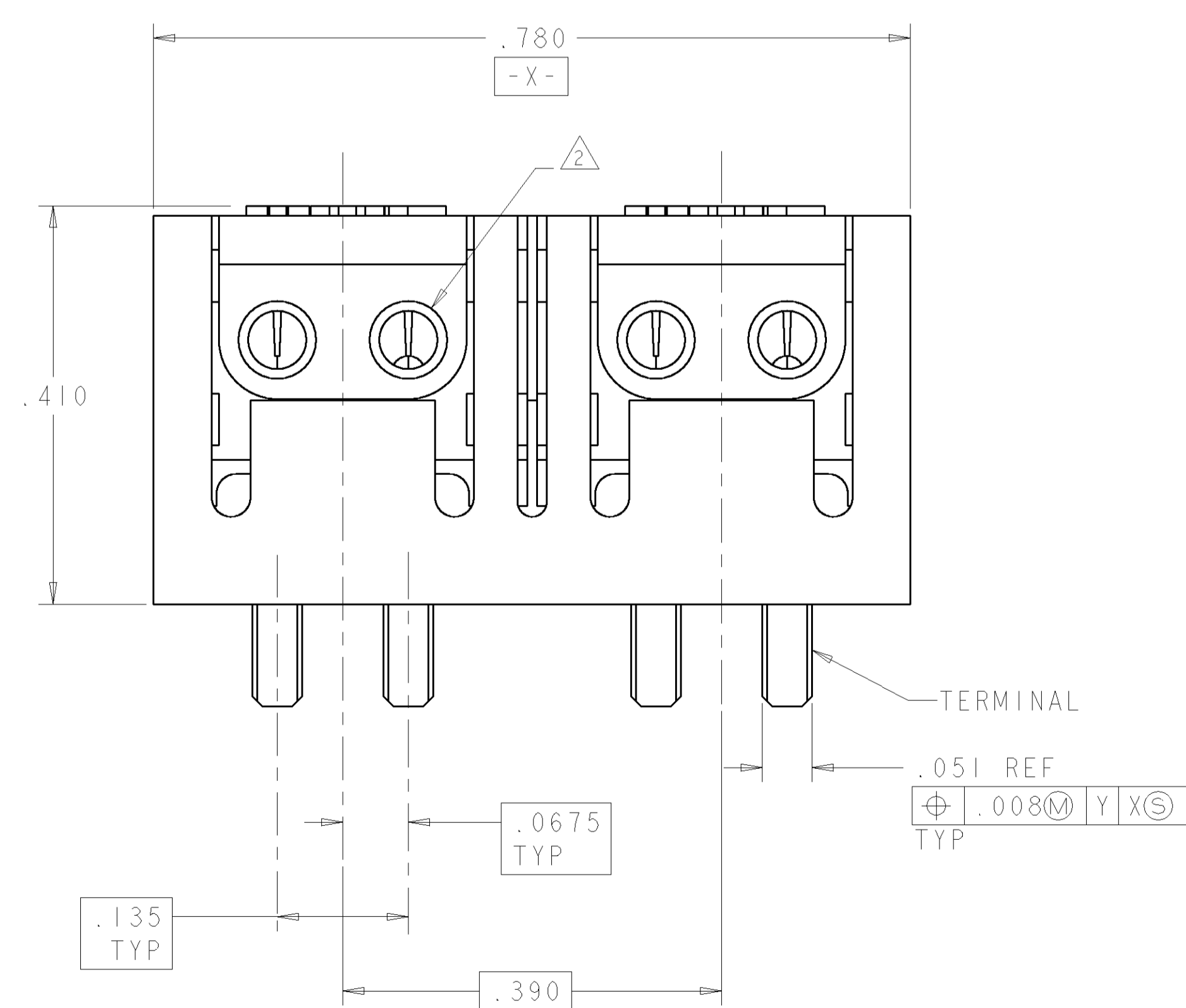


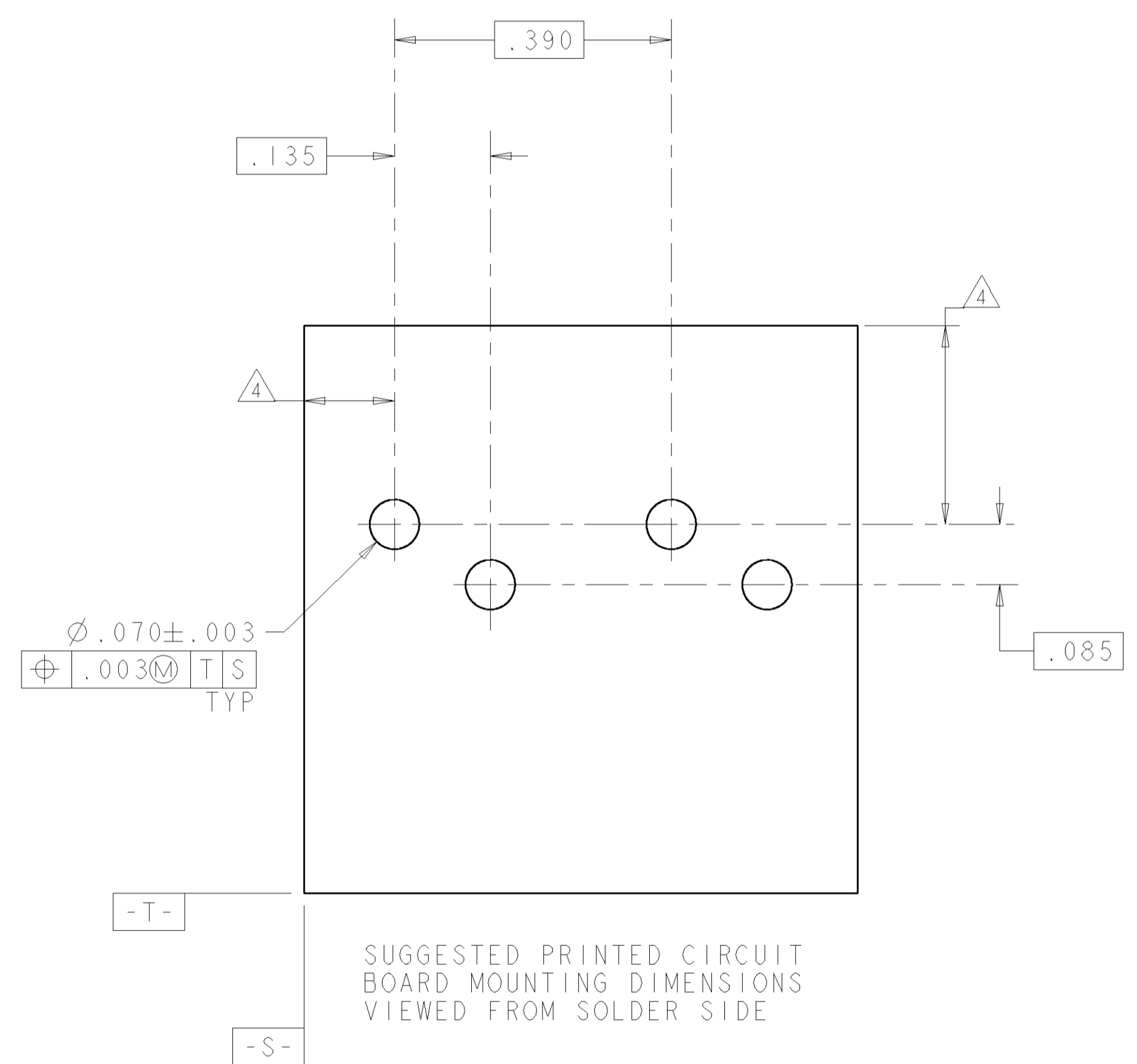
LOC	DIST	REV	DESCRIPTION	DATE	DWN	APPD
GP	00	F	LTB			
		C	ADDED: -2; EC 0UF0-0114-01	07AUG2001	DLD	AWR
		D	ADDED: -3; EC 0UF0-0144-01	17SEP2001	DLD	AWR
		E	REVISED PER EC 0S15-0450-02	21JAN2003	DLD	AWR
		F	REVISED PER EC 0S15-0324-03	04DEC2003	JB	CF



- 1 MATERIAL: BASE - POLYESTER MOLDING COMPOUND, BLACK.
 WIRE STUFFER: -1 - POLYCARBONATE MOLDING COMPOUND, CLEAR.
 WIRE STUFFER: -2 AND -3 - POLYESTER MOLDING COMPOUND, BLACK.
 TERMINAL - COPPER ALLOY, PLATED WITH 3.81µm MINIMUM THICK TIN OVER 1.27µm MINIMUM THICK NICKEL UNDERPLATE.
- 2 EACH WIRE ENTRY HOLE ACCEPTS ONE UNSTRIPPED SOLID COPPER 22-26 AWG WIRE WITH WIRE INSULATION DIAMETER RANGE FROM .060 THROUGH .040. OTHER WIRE SIZES AND TYPES SHALL BE SUBMITTED TO AMP ENGINEERS FOR APPLICATION APPROVAL.
- 3. SOLDER TABS PROVIDED FOR PERMANENT BOARD MOUNTING.
- 4 LOCATION OF HOLE PATTERN DETERMINED BASED ON CUSTOMER REQUIREMENTS.
- 5 EACH WIRE ENTRY HOLE ACCEPTS ONE UNSTRIPPED SOLID COPPER 22-26 AWG WIRE WITH WIRE INSULATION DIAMETER RANGE FROM .040 THROUGH .030 OTHER WIRE SIZES AND TYPES SHALL BE SUBMITTED TO AMP ENGINEERS FOR APPLICATION APPROVAL.



CLOSED POSITION



SUGGESTED PRINTED CIRCUIT BOARD MOUNTING DIMENSIONS VIEWED FROM SOLDER SIDE

WIRE SIZE	STUFFER COLOR	PART NUMBER
5	BLACK	1339306-3
2	BLACK	1339306-2
2	CLEAR	1339306-1

<small>THIS DRAWING IS UNPUBLISHED. RELEASED FOR PUBLICATION. ALL RIGHTS RESERVED. ANY REPRODUCTION OR TRANSMISSION OF THIS DRAWING WITHOUT THE WRITTEN PERMISSION OF AMP INCORPORATED IS PROHIBITED.</small>		DWN: R. ZARBOCK 28APR00 ENR: M. DERSTINE 28APR00 APPD: M. DERSTINE 28APR00	AMP Incorporated Harrisburg, PA 17105-3608
DIMENSIONS: INCHES TOLERANCES UNLESS OTHERWISE SPECIFIED: 0 PLC ± 1 PLC ±.01 2 PLC ±.01 3 PLC ±.005 4 PLC ± ANGLES ±	PRODUCT SPEC APPLICATION SPEC WEIGHT CUSTOMER DRAWING	NAME: ASSEMBLY, DOUBLE PAIR, SINGLE ENTRY, PIVOT II CONNECTOR SIZE: A1 CAGE CODE: 00779 DRAWING NO: 1339306	SCALE: 6:1 SHEET: 1 OF 1 REV: F

单击下面可查看定价，库存，交付和生命周期等信息

[>>TE Connectivity\(泰科\)](#)