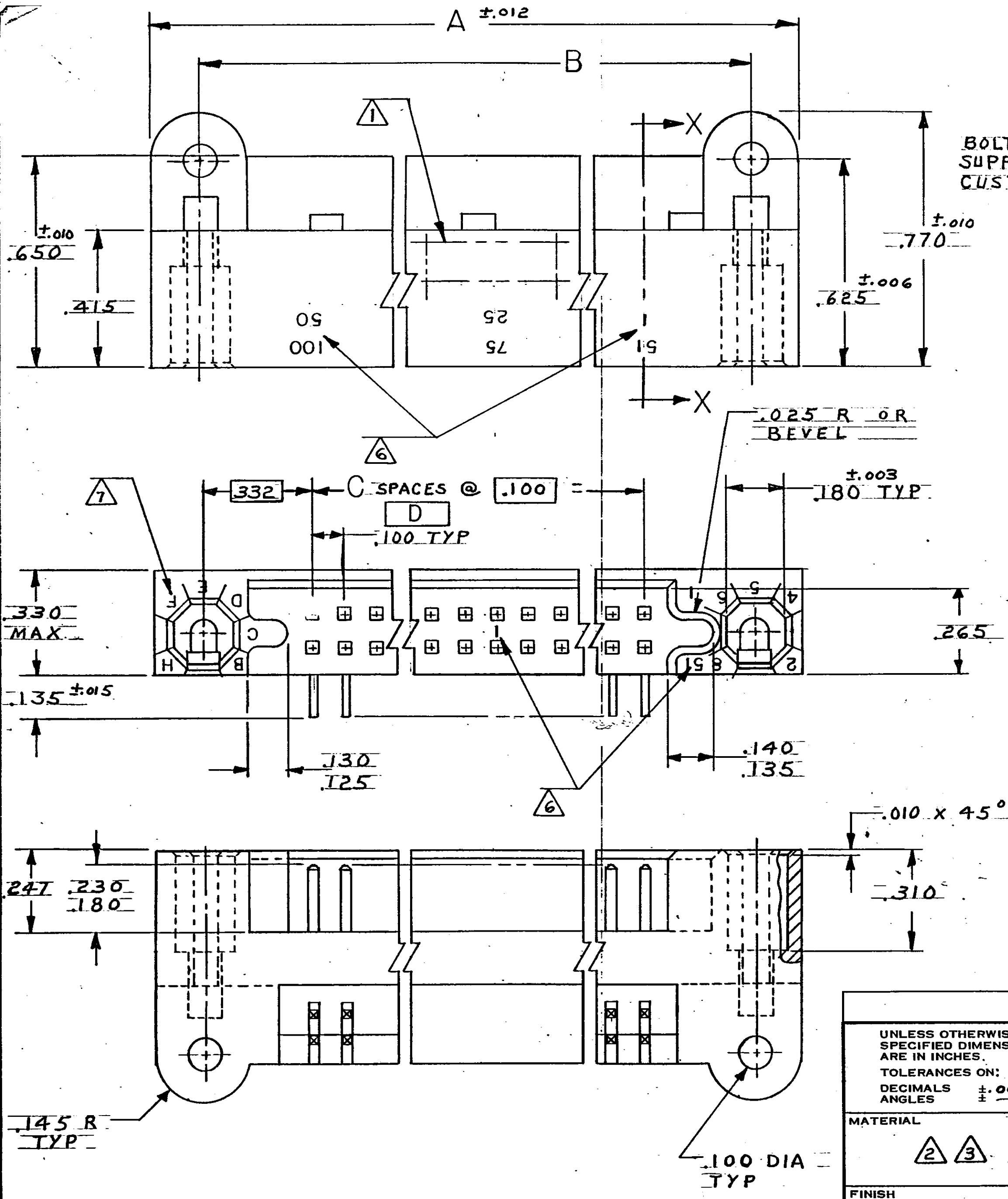
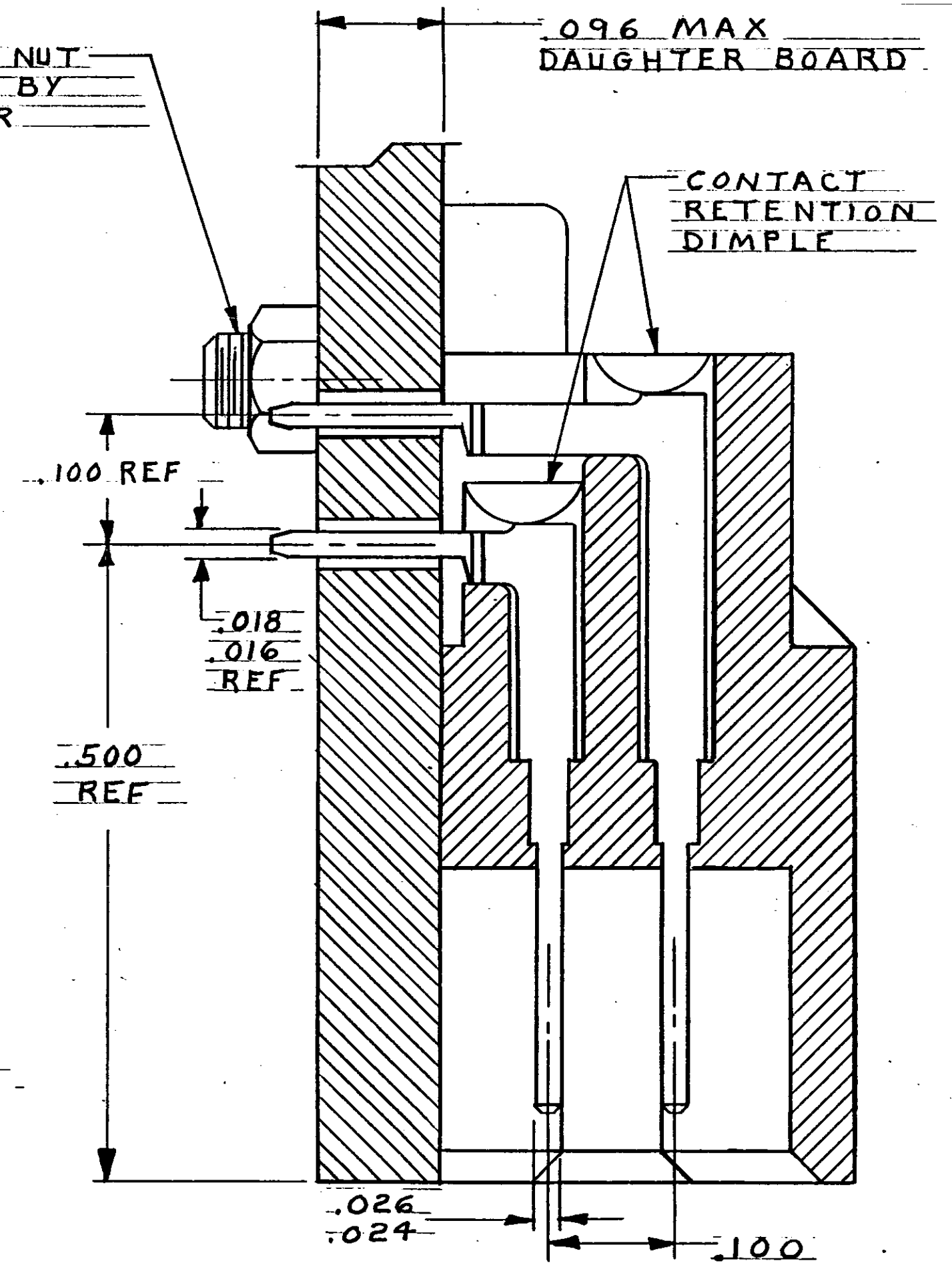


REVISIONS				DATE	APPROVED
P	F	ZONE	LTR	DESCRIPTION	
A1		G1		REVISED PER ECO-11-005030	26MAR11 HMR



BOLT AND NUT
 SUPPLIED BY
 CUSTOMER

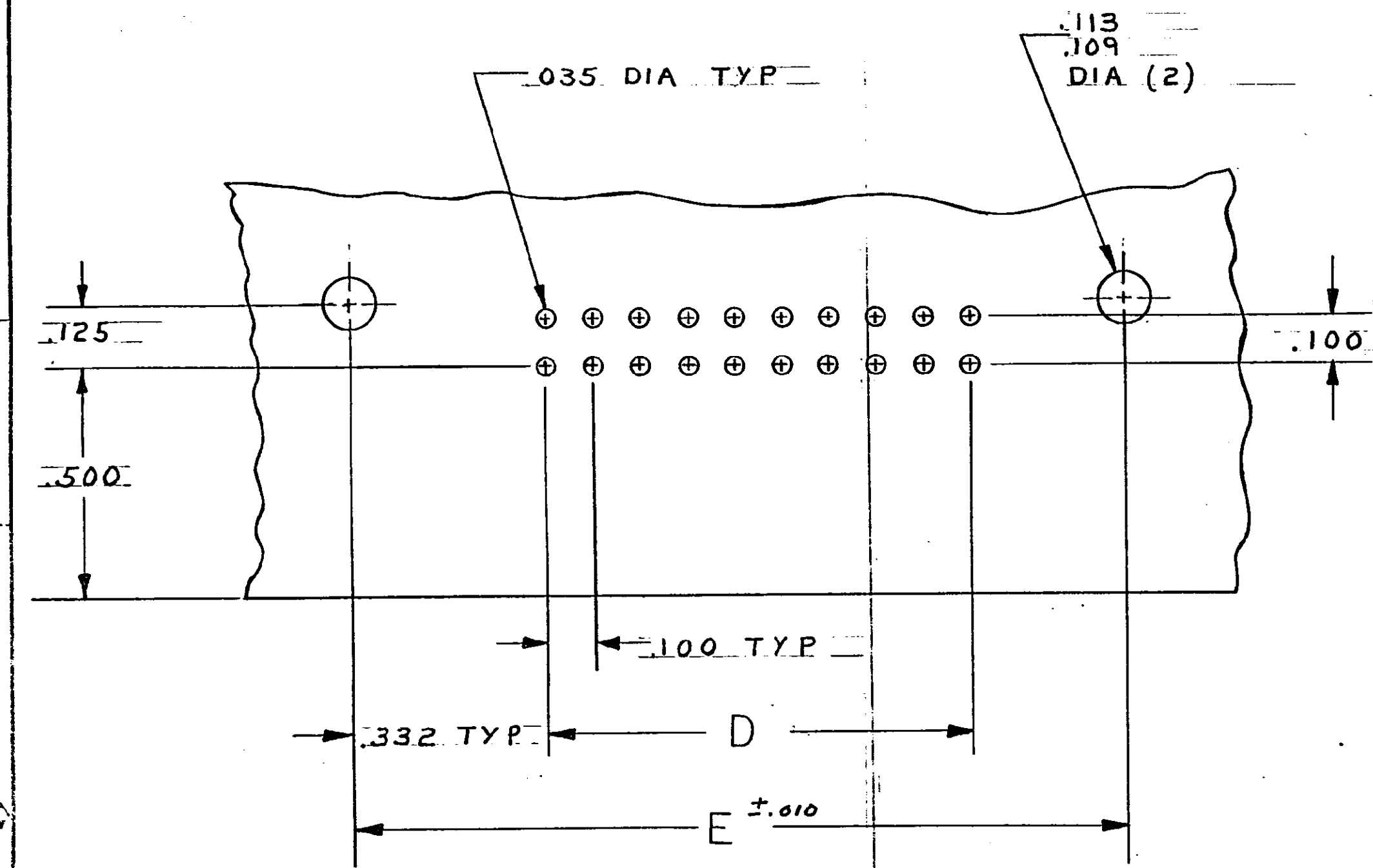


SECTION X-X
 SCALE 10:1

UNLESS OTHERWISE SPECIFIED DIMENSIONS ARE IN INCHES. TOLERANCES ON: DECIMALS ±.005 ANGLES ±	CONTRACT NO	TE Connectivity		
	DR	NAME		
	CHK	BOX CONNECTOR, RIGHT ANGLE, PIN ASSY, 100I SERIES		
	MATERIAL	SIZE	FSCM NO	DRAWING NO
FINISH	OTHER APPD	C	00779	531721
		SCALE	4:1	SHEET 1 OF 2

THIS DRAWING IS UNPUBLISHED. RELEASED FOR PUBLICATION
 © COPYRIGHT

REVISIONS				DATE	APPROVED
P	F	ZONE	LTR	DESCRIPTION	
				SEE SHEET 1	



- 1 AMP, 00779, PART NO & DATE CODE AND MILITARY PART NO MARKED IN APPROX AREA
- 2 HOUSING: GLASS FILLED POLYESTER COLOR - BLUE
- 3 CONTACT: BRASS
- 4 CONTACT FINISH: .000050 GOLD IN CONTACT AREA, TIN-LEAD ON SOLDER TAILS, NICKEL UNDERPLATE.
- 5 MIL-C-55302 INSPECTION REQUIRED.
- 6 NUMBERS AND LINES INDICATING EVERY FIVE CAVITIES MARKED ON MATING FACE, NUMBERS INDICATING EVERY FIVE CAVITIES MARKED ON SIDE
- 7 KEY POSITION IDENTIFICATION MOLDED ON SURFACE SHOWN.

RECOMMENDED P.C. BOARD LAYOUT

M 55302/110-31	1 - 71	7.565	6.900	69	7.565	7.855	140	1-531721-3
	-30	7.265	6.600	66	7.265	7.555	134	1- -2
	-29	7.065	6.400	64	7.065	7.355	130	1- -1
	-28	6.565	5.900	59	6.565	6.855	120	1- -0
	-18	6.065	5.400	54	6.065	6.355	110	-9
	-17	5.565	4.900	49	5.565	5.855	100	-8
	-16	5.065	4.400	44	5.065	5.355	90	-7
	-15	4.565	3.900	39	4.565	4.855	80	-6
	-14	4.065	3.400	34	4.065	4.355	70	-5
	-13	3.565	2.900	29	3.565	3.855	60	-4
	-12	3.065	2.400	24	3.065	3.355	50	-3
	-11	2.565	1.900	19	2.565	2.855	40	-2
M 55302/110-10	1 - 16	2.065	1.400	14	2.065	2.355	30	531721-1

MILITARY PART NO.	CONTACT IDENT NO.	E	D	C	B	A	NO. POS	PART NO	
UNLESS OTHERWISE SPECIFIED DIMENSIONS ARE IN INCHES. TOLERANCES ON: DECIMALS ±.005 ANGLES		CONTRACT NO DR <i>M. Smith</i> 10-27-81 CHK <i>W. Hutchard Jr</i> 12-16-81 APPD <i>W. Hutchard Jr</i> 12-16-81 APPD <i>E.T. Parsons</i> 12-22-81			TE Connectivity NAME BOX CONNECTOR, RIGHT ANGLE, PIN ASSY, 100I SERIES				
MATERIAL	FINISH	DSGN APPD		OTHER APPD		SIZE C	FSCM NO 00779	DRAWING NO 531721	REV G1
		SCALE 4:1		SHEET 2					

CUSTOMER DRAWING

单击下面可查看定价，库存，交付和生命周期等信息

[>>TE Connectivity\(泰科\)](#)