

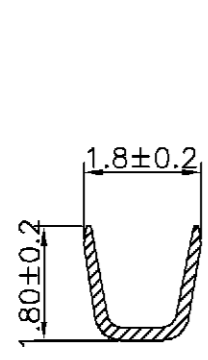
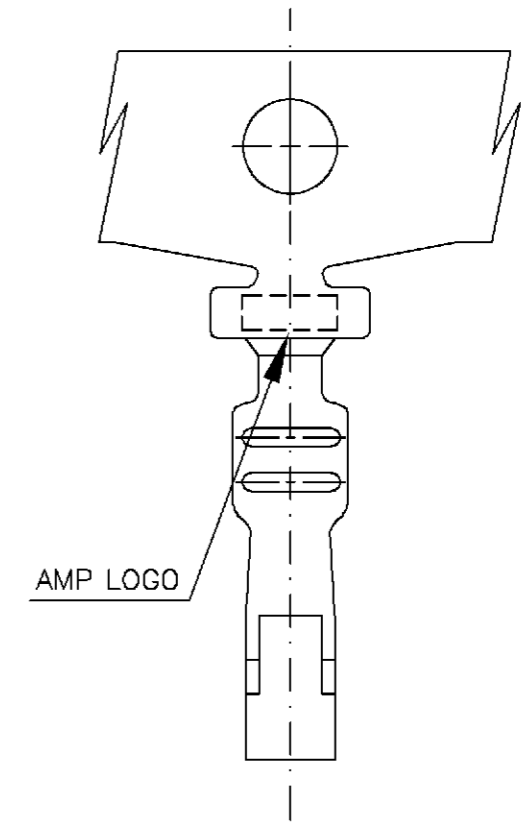
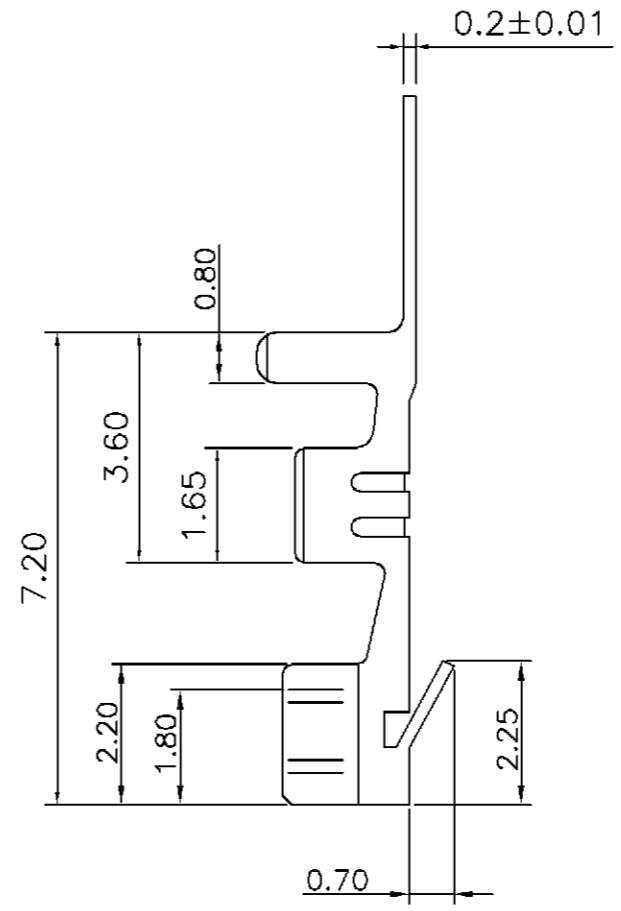
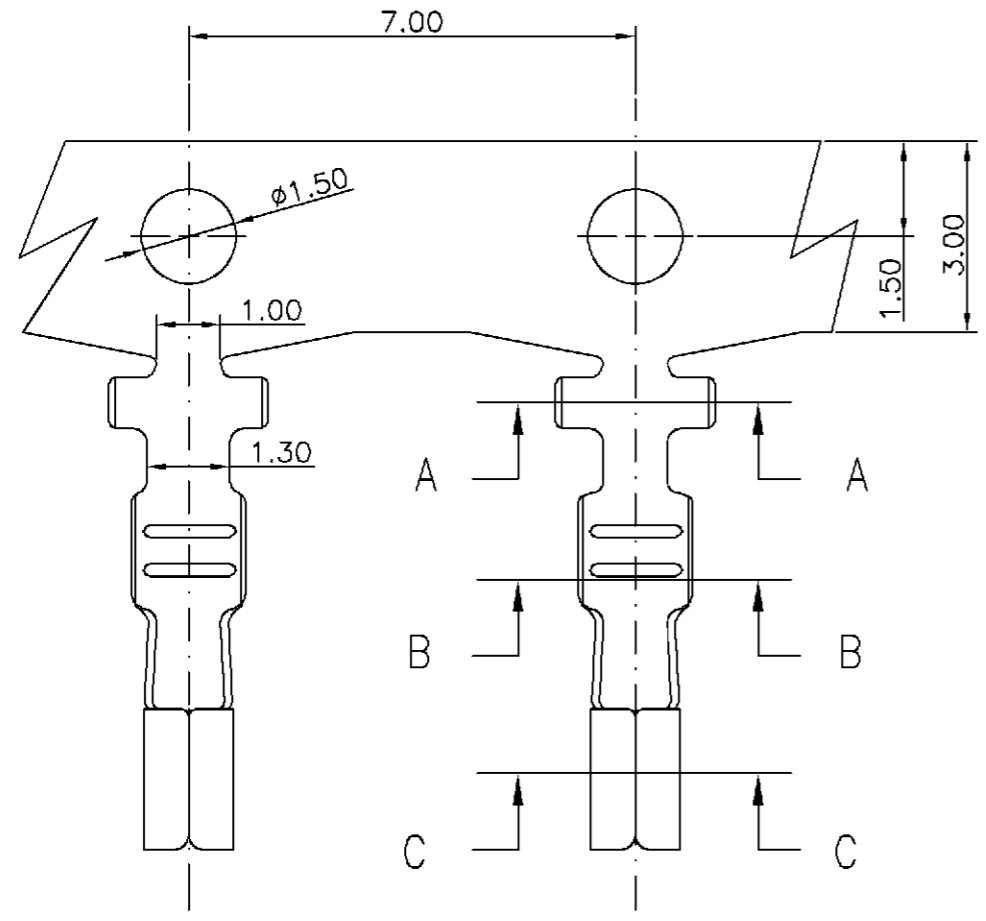
NUMBER
C-1470223

3RD ANGLE PROJECTION

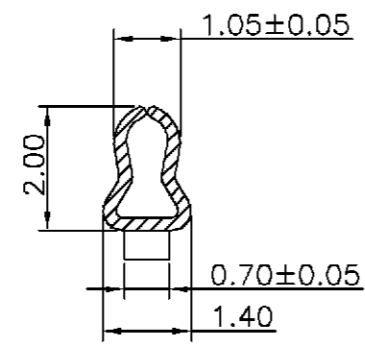
METRIC

THIS INFORMATION IS CONFIDENTIAL AND IS DISCLOSED TO YOU ON CONDITION THAT NO FURTHER DISCLOSURE IS MADE BY YOU TO OTHER THAN AMP PERSONNEL WITHOUT WRITTEN AUTHORIZATION FROM AMP (TAIWAN) LTD. DIMENSIONS IN MILLIMETERS. DO NOT SCALE PRINT.

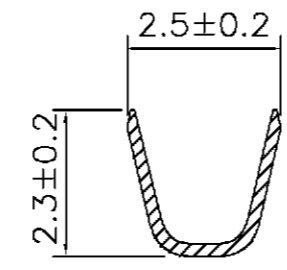
PRINT
DW



SEC B-B



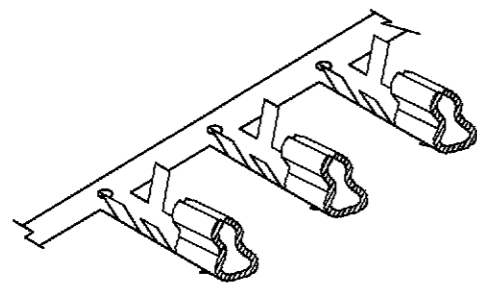
SEC C-C



SEC A-A

NOTE:

1. MATERIAL :
TERMINAL : COPPER ALLOY.
2. FINISH:
TERMINAL : TIN PLATED ON CONTACT AREA.
NICKEL UNDERPLATED OVER ALL.
3. QUALIFICATION TEST REPORT: 501-57195.

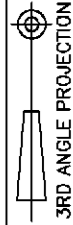


B	CHANGE PACKAGE'S QTY'S	FZ00-0048-04	OH SH	02-APR 2004
A	REVISED DRAWING	FZ00-0167-03	OH AW	28-JUL 2003
O	FIRST RELEASED	FZ00-0009-02	OH JC	10JAN 2002
LTR	REVISION RECORD	ECN	DWN CHK	DATE

DIMENSION : 0 PLC ±0.5 1 PLC ±0.2 2 PLC ±0.1 3 PLC ±0.05 ANGLES ±3'	DWN	O. HU 31-MAR-2004	TYCO HOLDINGS (BERMUDA) VII LTD. TAIWAN BRANCH
	CHK	S. HOU 31-MAR-2004	
MATERIAL	APVD	T. KE 31-MAR-2004	NAME 2.5mm PITCH EMIX RCPT CRIMP CONTACT
SEE NOTE	PRODUCT SPEC	108-57175	
FINISH	APPLICATION SPEC	114-57012	LOC DW SCALE
SEE NOTE	WEIGHT		SIZE A ₃ DRAWING NO C-1470223 REV B
			SHEET 1 OF 2

1470223-1
PART NUMBER

NUMBER
C-1470223

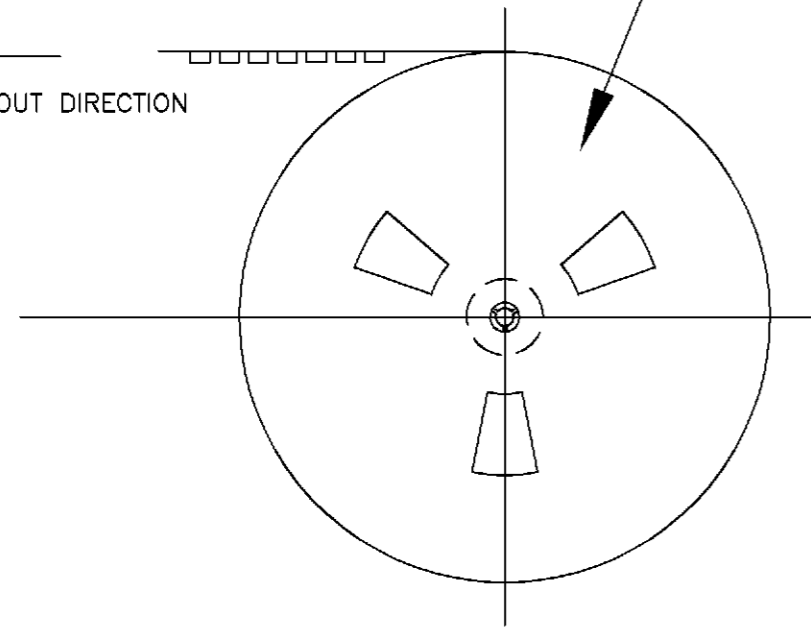


METRIC

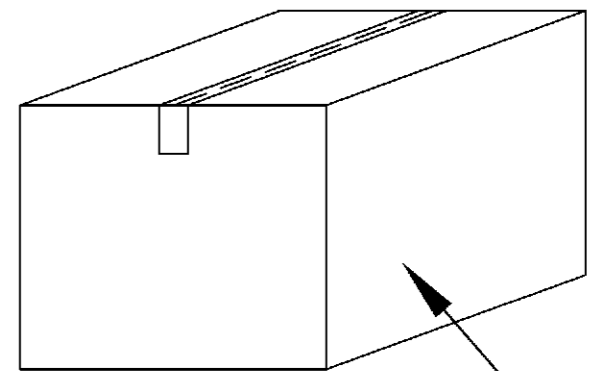
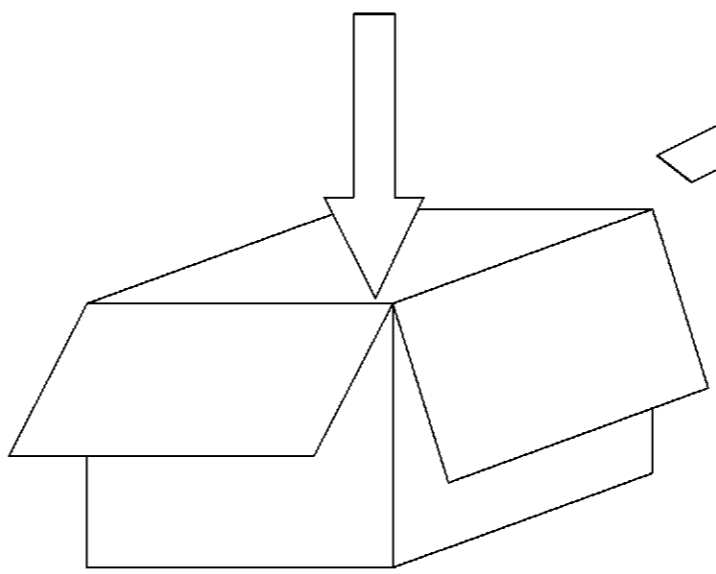
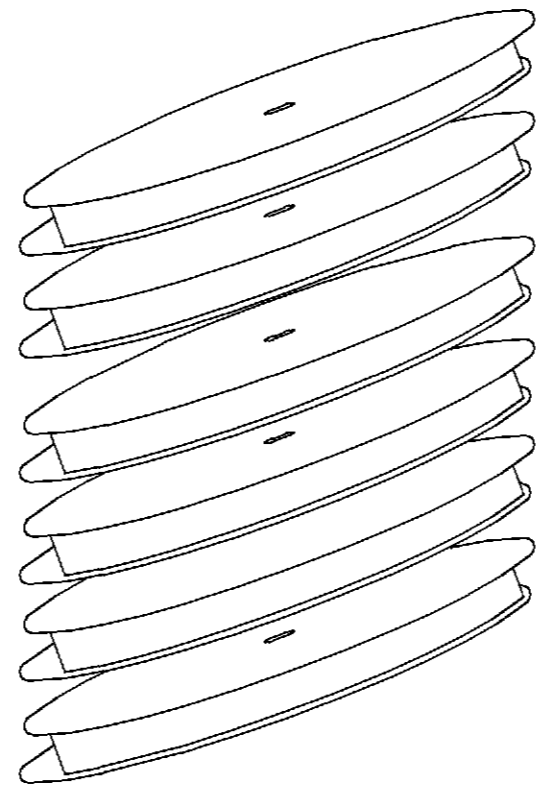
THIS INFORMATION IS CONFIDENTIAL AND IS DISCLOSED TO YOU ON CONDITION THAT NO FURTHER DISCLOSURE IS MADE BY YOU TO OTHER THAN AMP PERSONNEL WITHOUT WRITTEN AUTHORIZATION FROM AMP (TAIWAN) LTD. DIMENSIONS IN MILLIMETERS. DO NOT SCALE PRINT.

PRINT DIST
DW

PULL OUT DIRECTION



REEL
10,000 PCS/REEL



CARTON
577mm(L)X 577 mm(W)X170mm(H)
4 REEL/CARTON
TOTAL: 40,000 PCS
NET WEIGHT: 2.9Kg
GROSS WEIGHT: 6.1Kg

SEE SHEET 1.	ECN	DWN	CHK	DATE
LTR	REVISION RECORD			

DIMENSION : 0 PLC ±0.5 1 PLC ±0.2 2 PLC ±0.1 3 PLC ±0.05 ANGLES ±3'	DWN	O. HU	TYCO HOLDINGS (BERMUDA) VII LTD. TAIWAN BRANCH			
	CHK	S. HOU				
MATERIAL SEE NOTE	APVD	T. KE	NAME 2.5mm PITCH EMIX RCPT CRIMP CONTACT			
	PRODUCT SPEC	31-MAR-2004				
FINISH SEE NOTE	APPLICATION SPEC		LOC	SIZE	DRAWING NO	REV
	WEIGHT		DW	A ₃	C-1470223	B
			SCALE	SHEET		
			--	2 OF 2		

单击下面可查看定价，库存，交付和生命周期等信息

[>>TE Connectivity\(泰科\)](#)