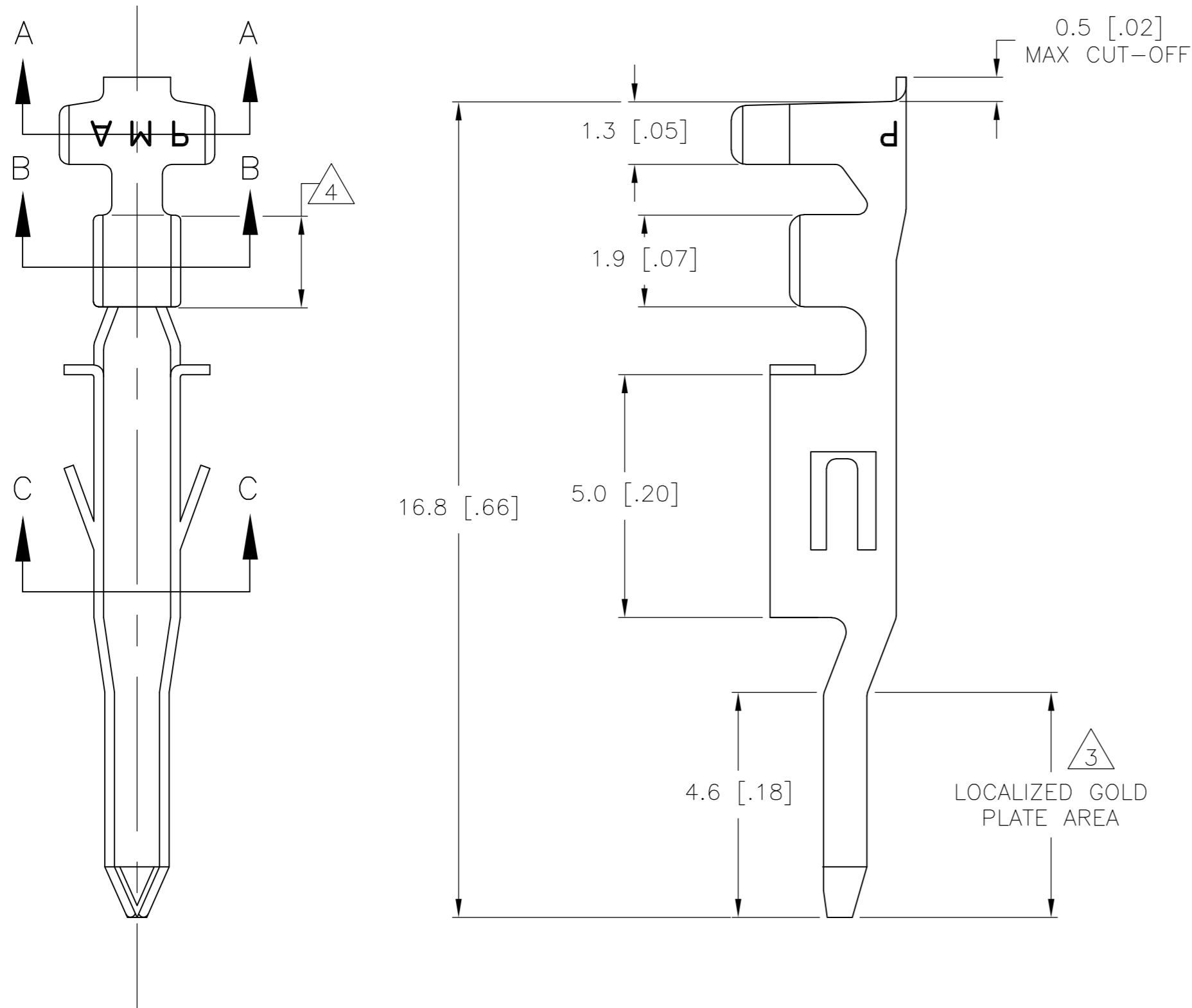
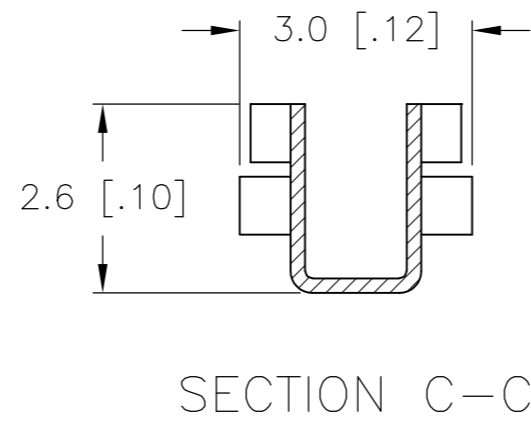
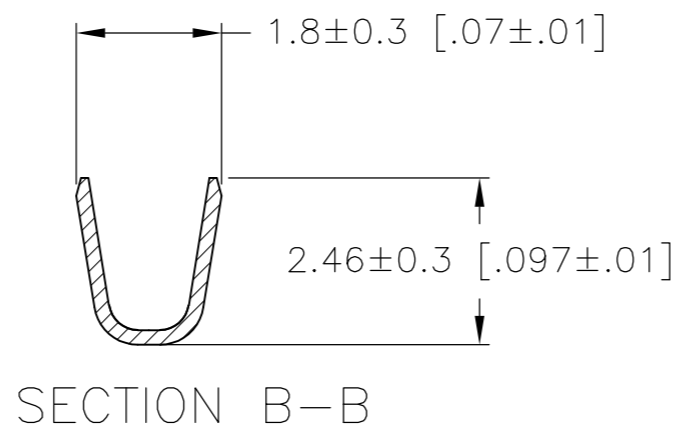
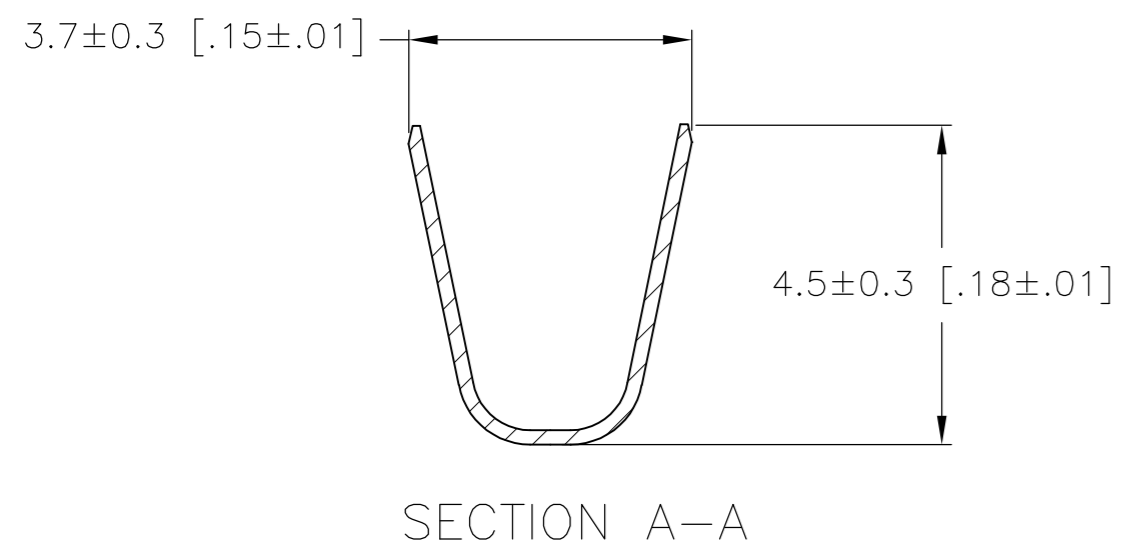


THIS DRAWING IS UNPUBLISHED. RELEASED FOR PUBLICATION
 © COPYRIGHT - By - ALL RIGHTS RESERVED.

LOC	DIST	REVISIONS					
CM	00	P	LTR	DESCRIPTION	DATE	DWN	APVD
		C1		REVISED PER ECO-11-004917	11MAR11	RK	HMR



- 1 WIRE RANGE: 0.2–0.8mm² (24–18 AWG).
- 2 INSULATION RANGE: 1.50–2.40 DIA.
- 3 FINISH: 0.76µm MINIMUM GOLD IN LOCALIZED GOLD PLATE AREA OVER 1.27µm MINIMUM NICKEL
- 4 FINISH: 2.54µm MINIMUM TIN IN LOCALIZED TIN PLATE AREA.



3 4	PHOS. BRZ.	1586314-4
PRE-TIN	PHOS. BRZ.	1586314-3
3 4	BRASS	1586314-2
PRE-TIN	BRASS	1586314-1
FINISH:	MATERIAL:	PART NO.

THIS DRAWING IS A CONTROLLED DOCUMENT.		DWN	14-OCT-2003	TE Connectivity			
DIMENSIONS: mm [INCHES]		S. HOOVER	14-OCT-2003				
TOLERANCES UNLESS OTHERWISE SPECIFIED:		CHK	D. COLEY				
0 PLC ±		APVD	D. COLEY				
1 PLC ± 0.3 [.01]		PRODUCT SPEC	14-OCT-2003				
2 PLC ± 0.15 [.006]		APPLICATION SPEC		NAME			
3 PLC ± 0.050 [.0020]		WEIGHT		TERMINAL LOOSE PIECE, PIN VAL-U-LOK(TM)			
4 PLC ±		CUSTOMER DRAWING		SIZE	CAGE CODE	DRAWING NO	RESTRICTED TO
ANGLES ±		SCALE 10:1		A2	00779	C=1586314	-
FINISH		SHEET 1 OF 1		REV C1			

单击下面可查看定价，库存，交付和生命周期等信息

[>>TE Connectivity\(泰科\)](#)