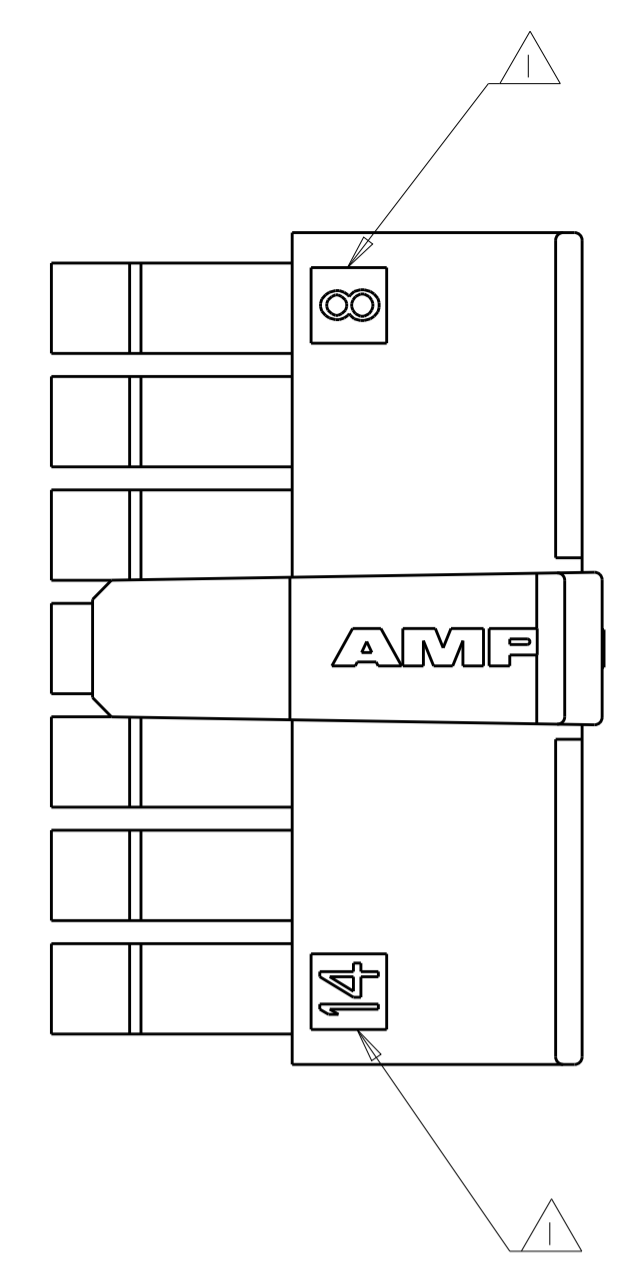
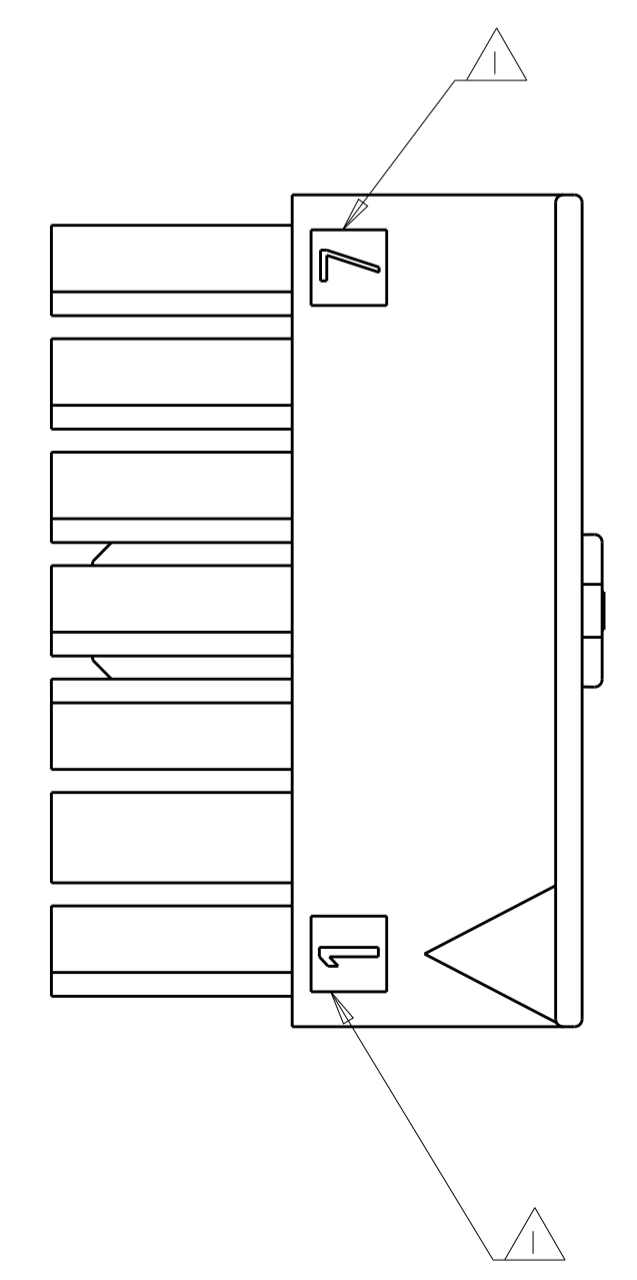
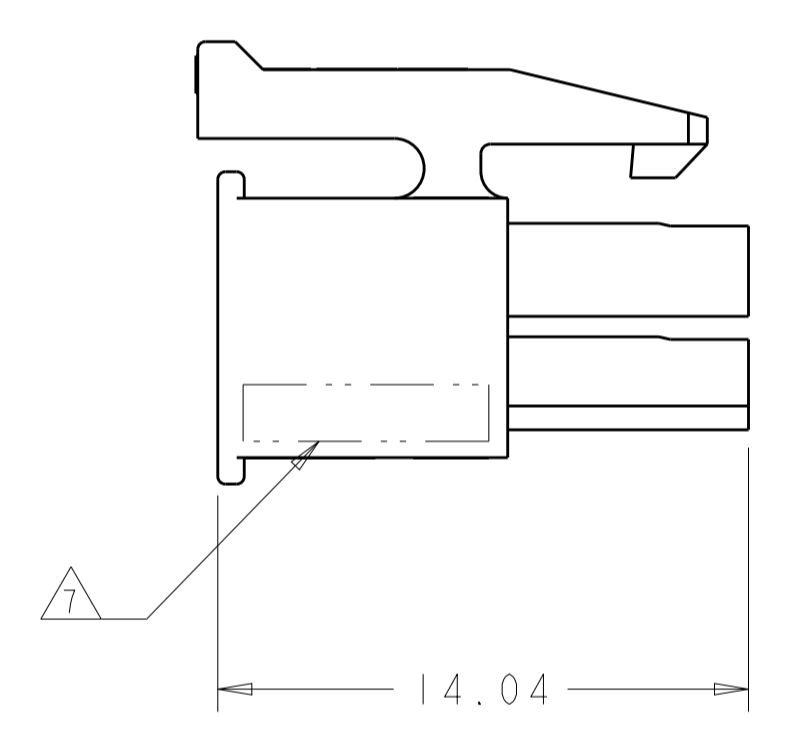
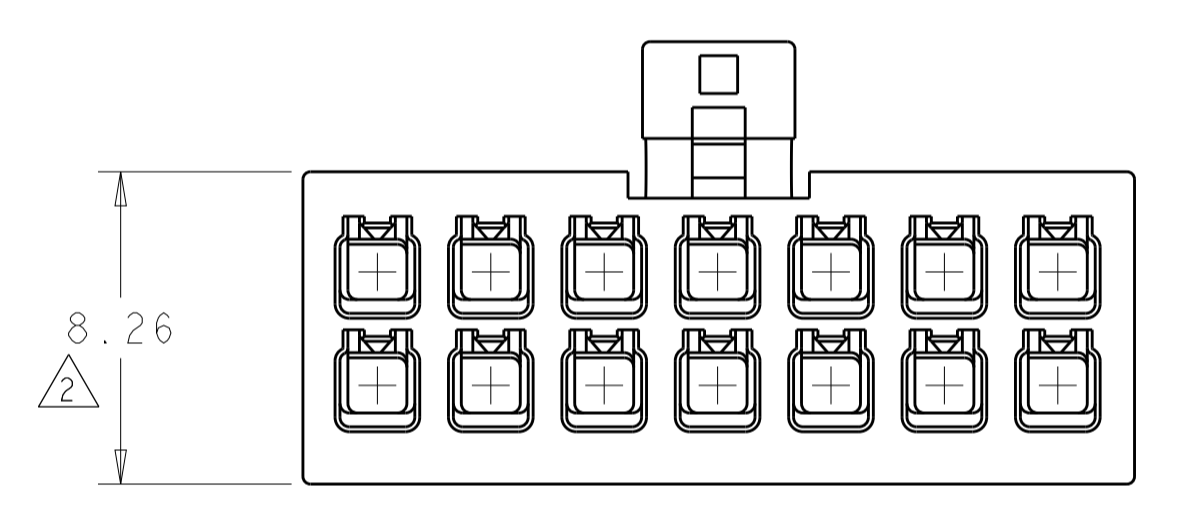
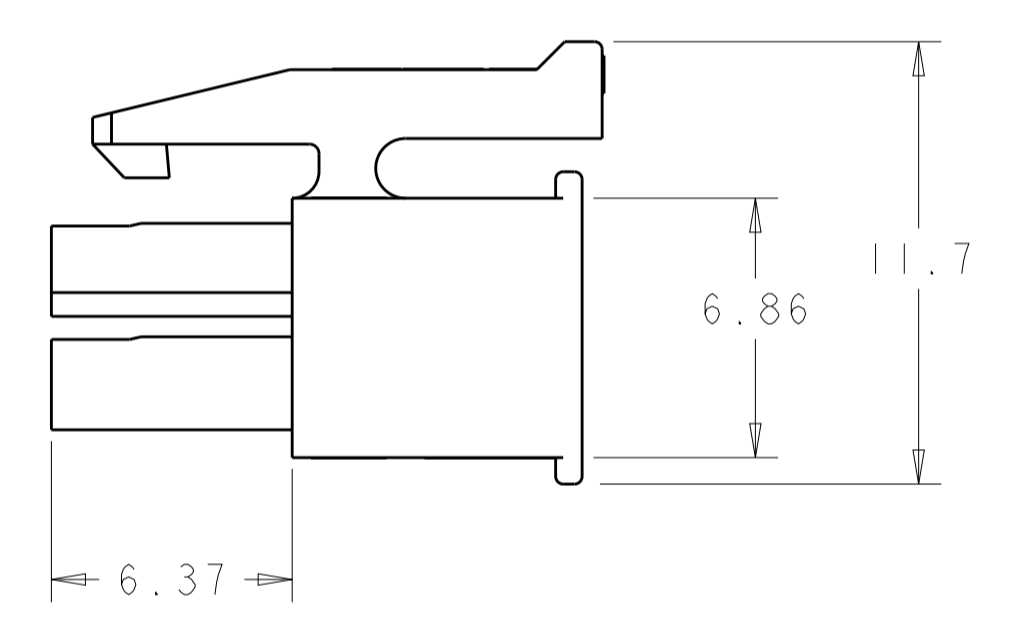
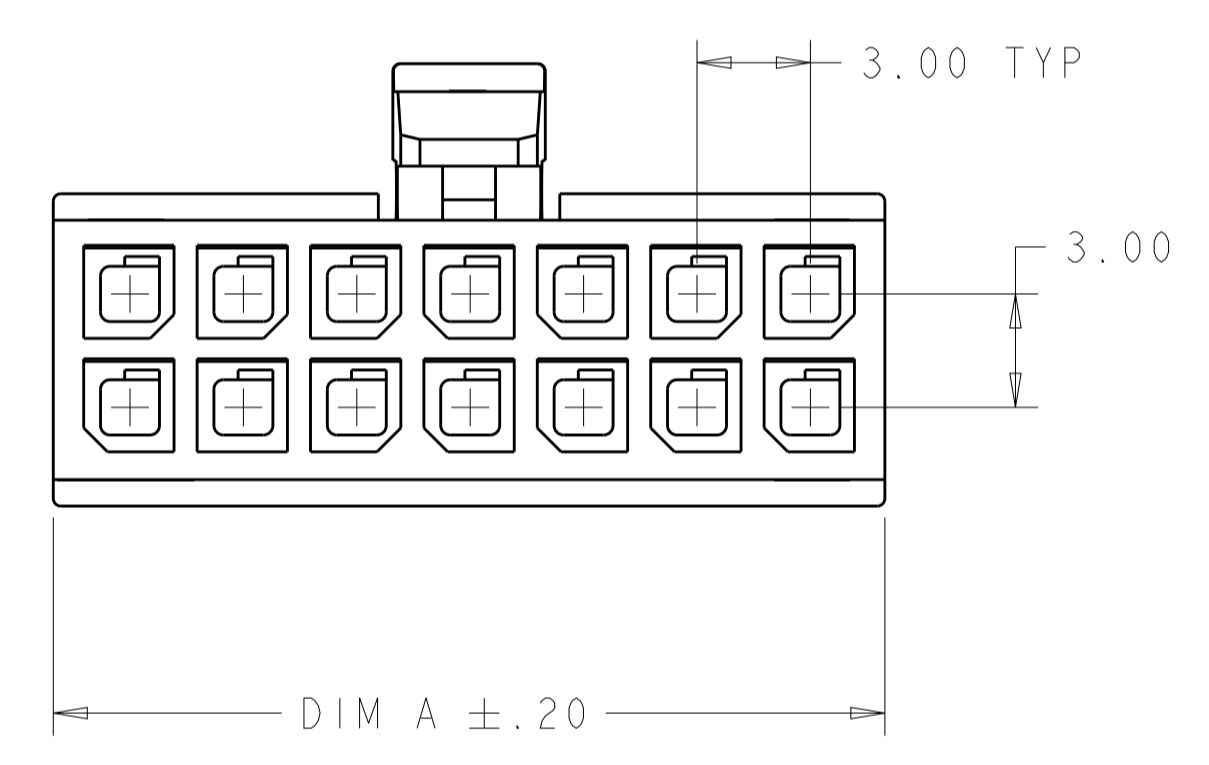


LOC	DIST	REVISIONS					
		P.	LTN	DESCRIPTION	DATE	DWN	APVD
CM	53	F4		REVISED PER ECO-19-018884	12DEC2019	WLS	DZ
		F5		REVISED PER ECN-20-100715	30NOV2020	WLS	VS



- △1 CIRCUIT IDENTIFIER, LOCATED APPROXIMATELY AS SHOWN.
- △2 DIMENSION ONLY 7.56 ON 2 POSITION.
- △3 MATERIAL PA66/6 UL94-V0.COLOR-BLACK
- △4 PRELIMINARY MATERIAL PA6, UL94-V0
- △5 MATERIAL PA66 UL94-V0, GW .COLOR-NATURAL
- △6 PRELIMINARY PART NOT RELEASED FOR PRODUCTION.
- △ MATERIAL ID ">PA<" LOCATED IN APPROX AREA SHOWN, APPROX 0.01 HIGH.



REMARK	DIM A	NO. OF POS.	PART NUMBER	
OBSOLETE	31.00	20	5-794617-0	
	37.00	24	5-794617-4	
	25.00	16	4-794617-6	
	22.00	14	4-794617-4	
	19.00	12	4-794617-2	
UL-V0 △5 GWEPT 750°C NO FLAME GWFI 850°C NO FLAME	16.00	10	3-794617-0	
	13.00	8	3-794617-8	
OBSOLETE	10	6	3-794617-6	
	7	4	3-794617-4	
OBSOLETE	4	2	3-794617-2	
	△4 △6	13.00	8	2-794617-8
OBSOLETE	37.00	24	2-794617-4	
	34.00	22	2-794617-2	
	31.00	20	2-794617-0	
	28.00	18	1-794617-8	
	25.00	16	1-794617-6	
	△3	22.00	14	1-794617-4
	19.00	12	1-794617-2	
	16.00	10	1-794617-0	
	13.00	8	794617-8	
	10.00	6	794617-6	
7.00	4	794617-4		
△3 △2	4.00	2	794617-2	

THIS DRAWING IS A CONTROLLED DOCUMENT.

DWN: K. WHITAKER 140CT1999
 CHK: K. COBLE 140CT1999
 APVD: K. COBLE 140CT1999

NAME: RECEPTACLE HOUSING, 2 TO 24 POSITION, DUAL ROW, MICRO MATE-N-LOK™

PRODUCT SPEC: 108-1836
 APPLICATION SPEC: 114-13000

SIZE: A1 CAGE CODE: 00779 DRAWING NO: 794617

RESTRICTED TO: -

MATERIAL: △3 △4 △5 FINISH: - WEIGHT: -

CUSTOMER DRAWING SCALE: 5:1 SHEET: 1 OF 1 REV: F5

单击下面可查看定价，库存，交付和生命周期等信息

[>>TE Connectivity\(泰科\)](#)