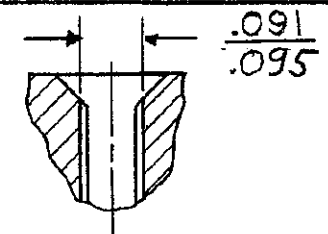
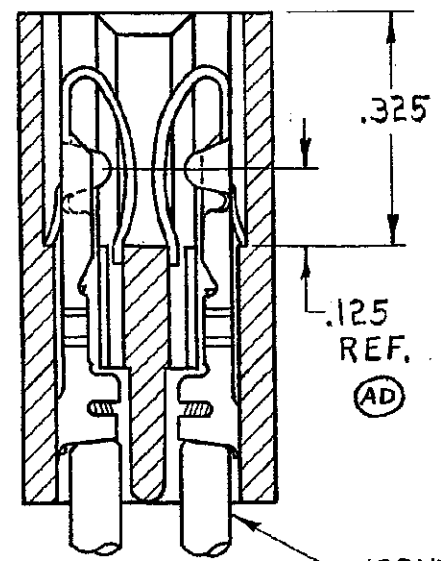
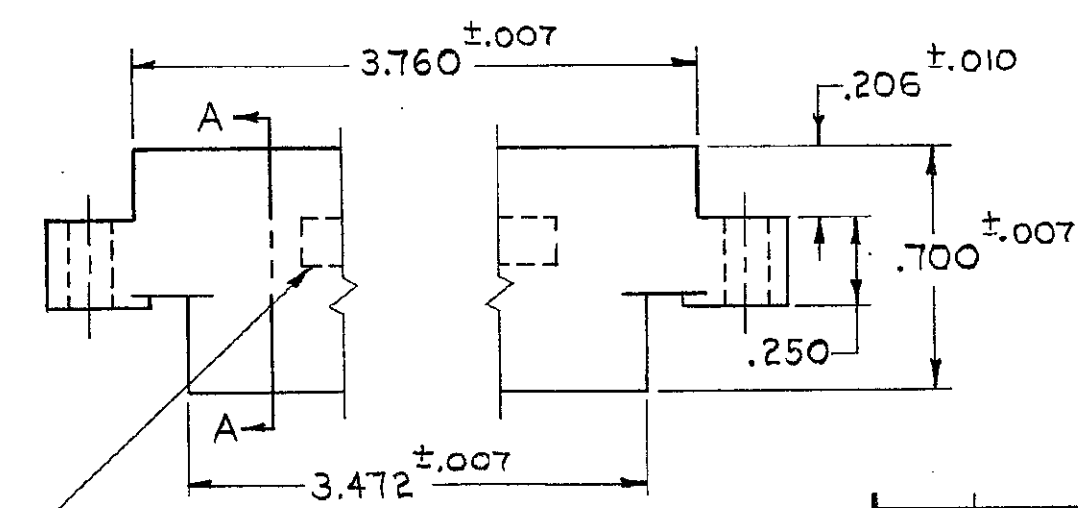
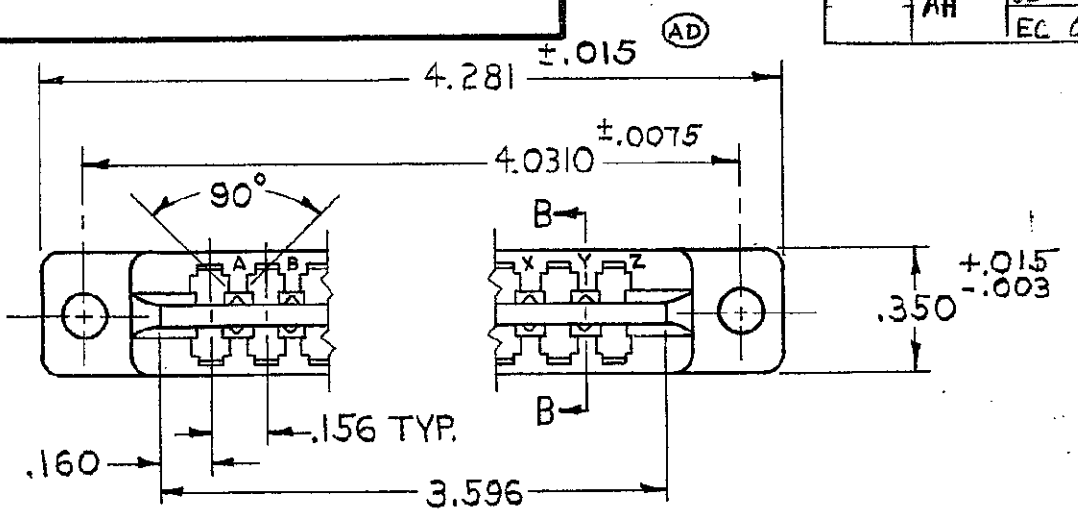


NUMBER 480142

©1962 BY AMP INCORPORATED. ALL RIGHTS RESERVED. AMP PRODUCTS COVERED BY PATENTS AND/OR PATENTS PENDING.

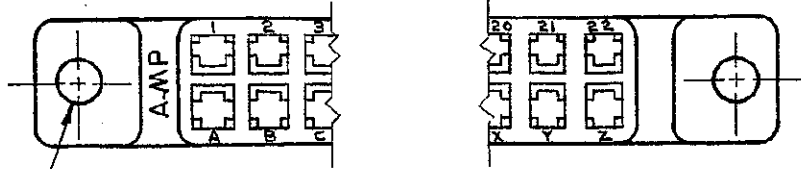
AF	REV PER AD1735	7-22-87
AG	OBS -6 PER AD1831	16 3-22-88
AH	OBS 582358-2 R-3 PER EC 0320-354-97	05/21/98

SYMBOL		DESCRIPTION	DATE	APPROVAL
AA	-	REDRAWN WITHOUT CHANGE V-462	9-10-4	CO.
AB	-	REVISED. ADDED-6 (SHT. 3) W-753	10-6-5	m.S./D.H.
AC	-	REVISED SHEET 1 Y-212	2-23-6	m.S./D.H.
AD	-	REVISED 3 SHEETS 1600	10-27-67	m.S./D.H.
AD1	-	ADD -7 SHT. 2 (WAS 5112-195-1) 2519	5-19-70	m.S./D.H.
AD2	-	ADD -8 SHT. 2 (WAS 5112-250-1) 2585	7-17-70	m.S./D.H.
AD3	-	ADDED -9 SHT. 3 (WAS 5112-176-1 CUST) 2946	3-25-71	m.S./D.H.
AE	-	REVISED 7490	8-4-81	
AE1	-	OBSOLETED -7, -8 Per ECN AD1087	2-7-80	



NOTE: .070-.055 BOARD THICKNESS.

AMP PART NO. & DATE CODE THIS AREA.



HOLE DIA. SEE TABLE.

QTY REQD	PART OR IDENTIFYING NO.	NOMENCLATURE OR DESCRIPTION	PART NO.	HOLE DIA.
			480142-6	SEE SHEET 3
			582358-2	.150 DIA. 2 HOLES
			480142-2	.125 DIA. 2 HOLES

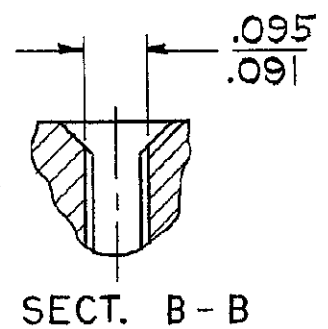
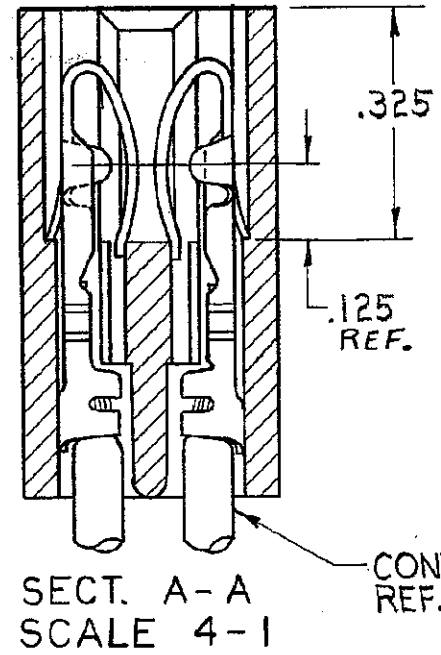
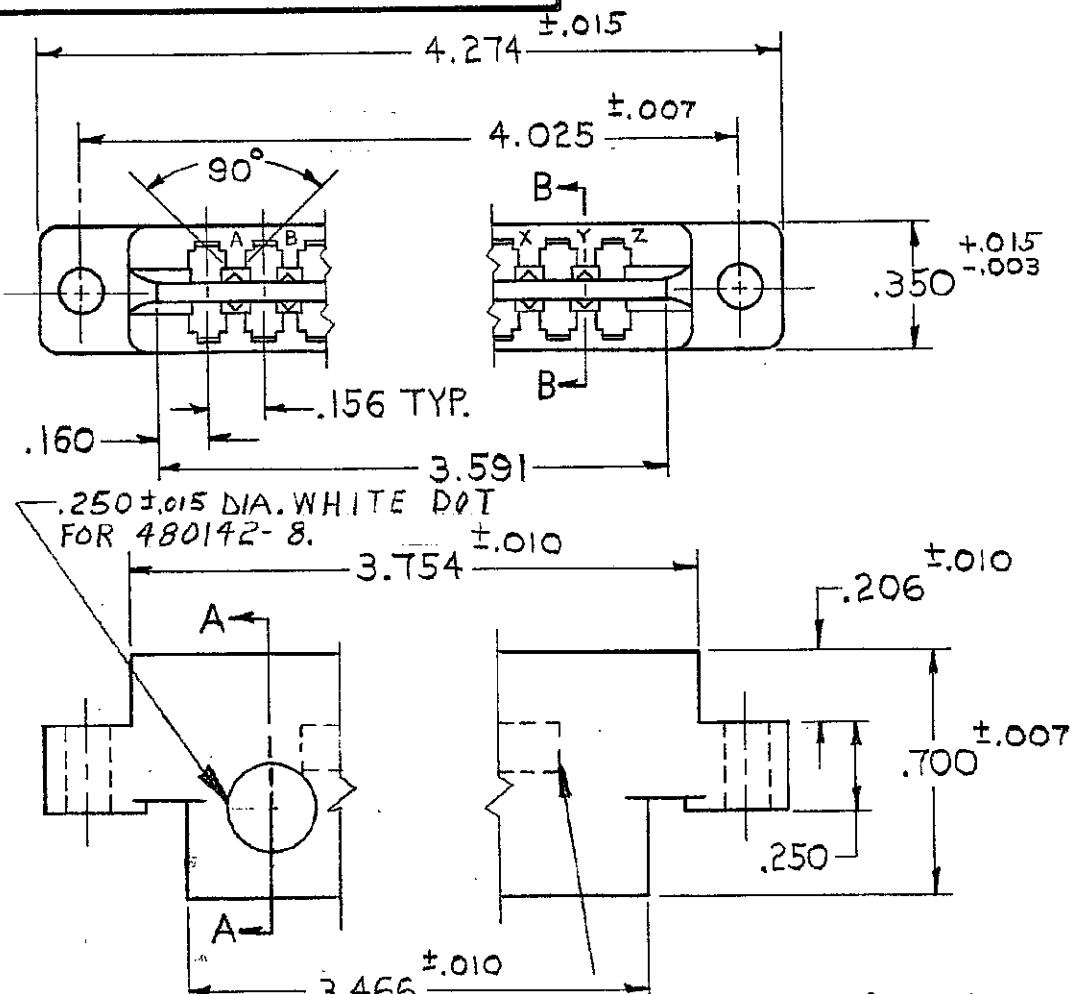
UNLESS OTHERWISE SPECIFIED DIMENSIONS ARE IN INCHES TOLERANCES ON		SIGNATURE	DATE	AMP INCORPORATED HARRISBURG, PENNSYLVANIA	
FRACTIONS ± #	DECIMALS ± .005	DR <i>C. Ostergis</i>	9/10/64	<p style="text-align: center; font-size: 2em;">22 DUAL AMP LEAF HOUSING</p>	
ANGLES ± 0° 30'		CHK <i>D. Mella</i>	9/19/64		
MATERIAL		DSGN ENGR			
HEAT TREAT		APPD <i>R. Schaefer</i>	10/23/64		
		DSGN APPD <i>R. Hollenbeck</i>	10/23/64	CODE IDENT NO	SIZE
		OTHER APPD		00779	B
				NUMBER	
				480142	
				SCALE 2-1	WT CALC ACTUAL
					SHEET 1 OF 3

AMP INFO
LOC PR DIST
FT AM 22

NUMBER 480142

©1962 BY AMP INCORPORATED. ALL RIGHTS RESERVED. AMP PRODUCTS COVERED BY PATENTS AND/OR PATENTS PENDING.

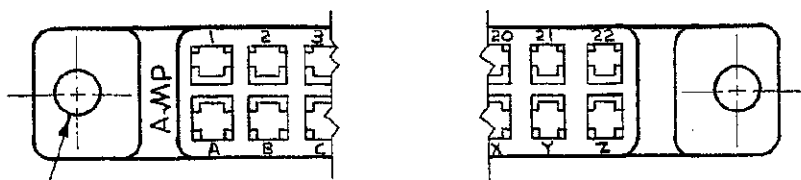
REVISIONS				
SYM	ZONE	DESCRIPTION	DATE	APPROVAL
-	-	SEE SHEET 1		



NOTE:
.070-.055 BOARD THICKNESS.

OBsolete	Part No.	Hole Dia.
	480142-8	.125 DIA. HOLES ESPL
	480142-7	.125 DIA. HOLES ESPL
	582358-3	.150 DIA. 2 HOLES
	480142-3	.125 DIA. 2 HOLES

AMP PART NO. & DATE CODE THIS AREA.



HOLE DIA. SEE TABLE.

QTY REQD	PART OR IDENTIFYING NO.	NOMENCLATURE OR DESCRIPTION	PART NO.	HOLE DIA.
LIST OF MATERIALS OR PARTS LIST				
UNLESS OTHERWISE SPECIFIED DIMENSIONS ARE IN INCHES TOLERANCES ON		SIGNATURE		DATE
FRACTIONS ± #	DECIMALS ±.005	C. Ontenio		9/11/64
ANGLES ±0°30'		J. Miller		7/18/64
MATERIAL PHENOLIC — COLOR BLACK		R. K. [Signature]		10/23/64
HEAT TREAT		R. [Signature]		11/23/64
FINISH		OTHER APPD		
AMP INFO			CODE IDENT NO	SIZE
LOC	PT	DIST	00779	B
FT		22		
			NUMBER	
			480142	
			SCALE 2-1	WT CALC ACTUAL SHEET 2 OF 3



AMP INCORPORATED
HARRISBURG, PENNSYLVANIA

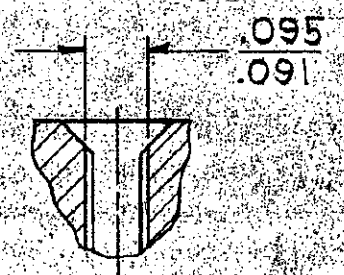
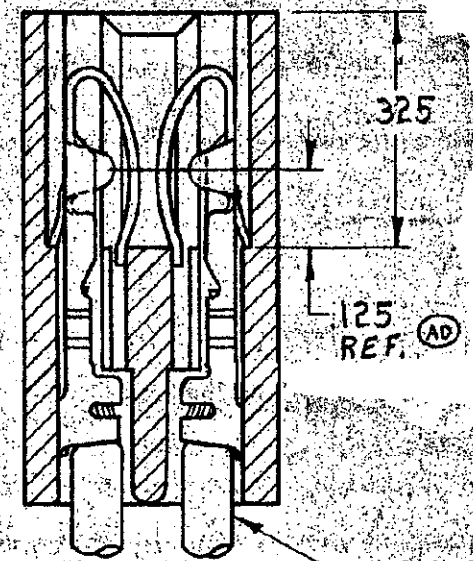
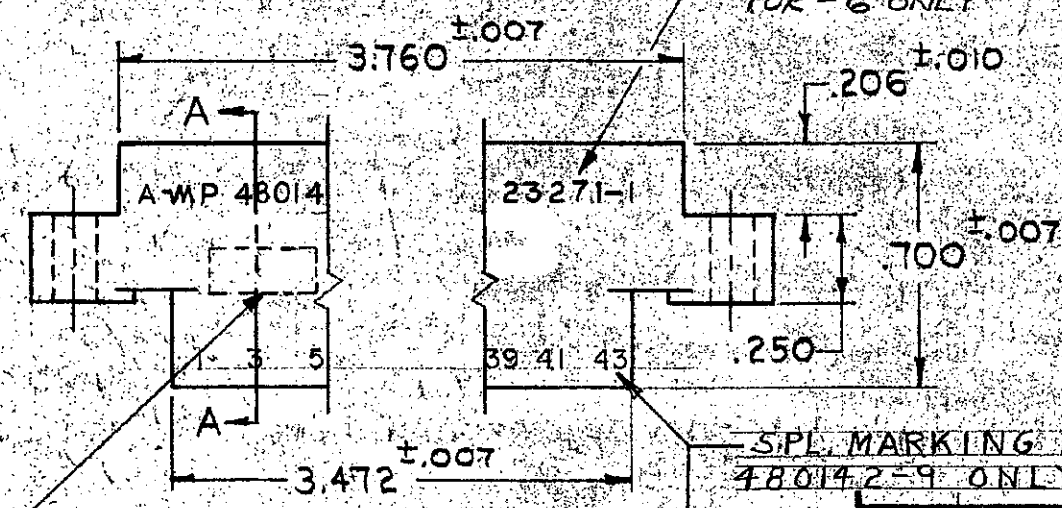
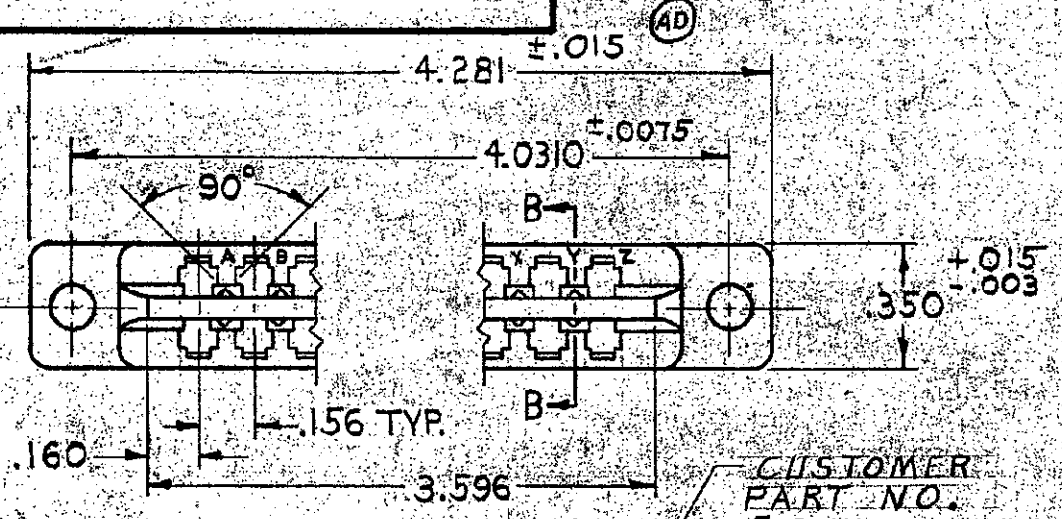
22 DUAL AMP LEAF HOUSING

CUSTOMER DRAWING

NUMBER 480142

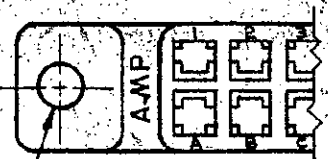
© 1962 BY AMP INCORPORATED. ALL RIGHTS RESERVED. AMP PRODUCTS COVERED BY PATENTS AND/OR PATENTS PENDING.

REVISIONS				
SYM	ZONE	DESCRIPTION	DATE	APPROVAL
		SEE SHEET 1		

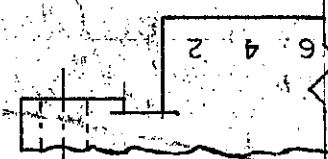


NOTE: .070-.055 BOARD THICKNESS.

DATE CODE THIS AREA.



HOLE DIA. SEE TABLE.



CUSTOMER PART NO. FOR - 6 ONLY

SPL MARKING FOR 480142-9 ONLY

QTY REQD	PART OR IDENTIFYING NO.	NOMENCLATURE OR DESCRIPTION	PART NO.	HOLE DIA.
			480142-9	.125 DIA. 2 HOLES
			480142-6	.125 DIA. 2 HOLES

LIST OF MATERIALS OR PARTS LIST			
UNLESS OTHERWISE SPECIFIED DIMENSIONS ARE IN INCHES FRACTIONS = 1/16 DECIMALS = ±.005 ANGLES = 0° 30'		SIGNATURE	DATE
MATERIAL DIALYL PHTHALATE GLASS FILLED PER MIL-M-14F TYPE SDG-F		DP: <i>M. Smith</i>	10-5-5
HEAT TREAT: #		CHK: <i>S. Heide</i>	10/7/65
FINISH: #		DSGN ENGR	
AMP INFO: FT 22		APPD: <i>R. Shuman</i>	10/9/65
		DSGN APPD: <i>R. Holliday</i>	10/1/65
		OTHER APPD:	
CODE IDENT NO.	SIZE	NUMBER	
00779	B	480142	
SCALE 2-1	WT	CALC	ACTUAL



AMP INCORPORATED
HARRISBURG, PENNSYLVANIA

22 DUAL AMP LEAF HOUSING

CODE IDENT NO.	SIZE	NUMBER	
00779	B	480142	
SCALE 2-1	WT	CALC	ACTUAL

CUSTOMER DRAWING

单击下面可查看定价，库存，交付和生命周期等信息

[>>TE Connectivity\(泰科\)](#)