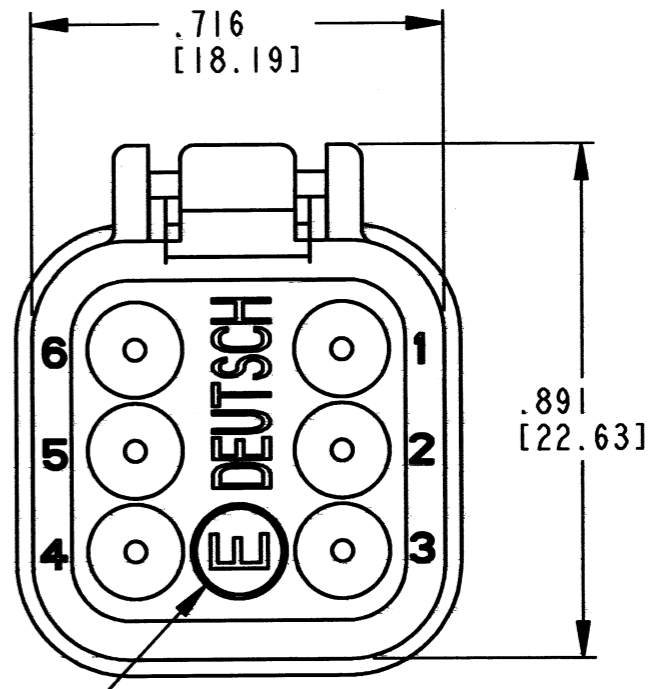
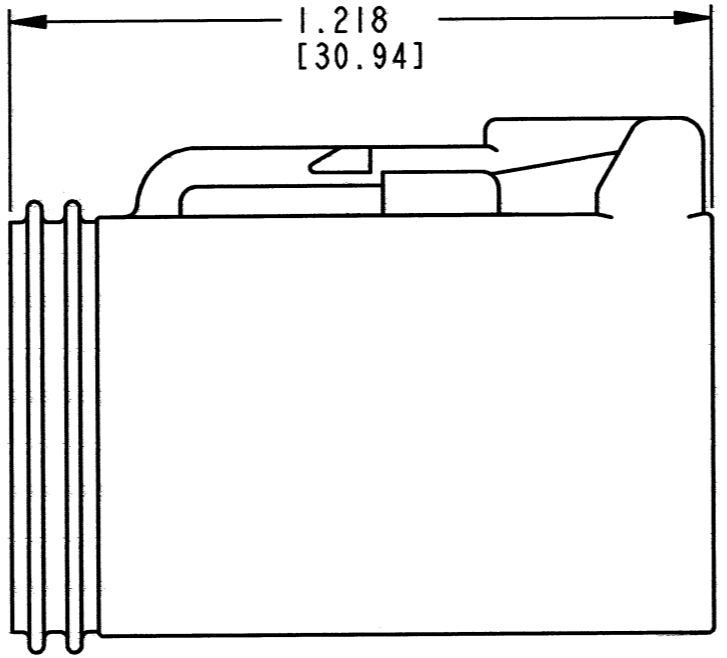
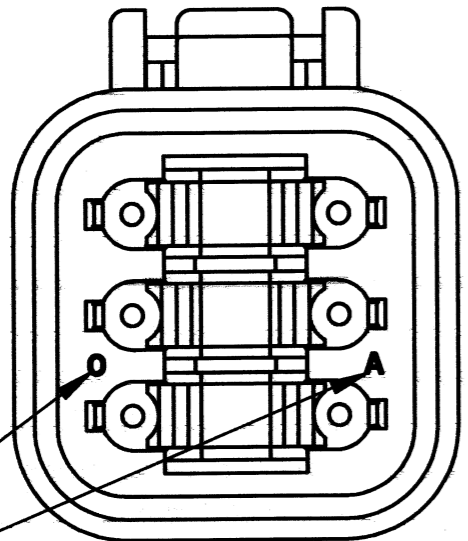


REV <b>A</b>	<b>DT06-6S-C015</b>	REVISIONS		
SYM	DESCRIPTION	DATE	APPROVED	
NC	NEW RELEASE PER E.O. P18121	5/2/03	R.D.R.	
A	REVISED PER E.O. P21433	9-12-12	<i>RDR</i>	



DATE CODE: YEAR TO BE REPRESENTED BY LAST NUMERICAL DIGIT. EX: 0 = 2010  
 MONTH USES SEQUENTIAL ALPHA CHARACTERS.  
 EX: A = JANUARY.

-E- SYMBOL DESIGNATES REDUCED WIRE SEAL

- 5. MATERIAL - SHELL: PLASTIC; COLOR: GRAY  
SEAL: RUBBER
- 4. THIS PLUG MATES WITH DT04-6P-\*\*\*\* (\*\*\*\* = ALL MODIFICATION)  
CONSULT FACTORY FOR MODIFICATIONS.

CONTACT SIZE	MIN. INSUL. O.D.	MAX. INSUL. O.D.	WIRE RANGE [mm <sup>2</sup> ] REF ONLY
16	.053 [1.35]	.120 [3.05]	14-20 AWG [2.0-0.5]

3. FOR CONTACTS AND WIRE PERFORMANCE AND APPLICATION CHARACTERISTICS, SEE ENVELOPE DRAWINGS 0425-015-0000 AND 0425-017-0000.

- 2. ALL DIMENSIONS ARE ±.025 [1.64] UNLESS OTHERWISE SPECIFIED.
  - 1. ALL DIMENSIONS ARE IN INCHES [MILLIMETERS].
- NOTES:

SIGNATURE & DATE		<b>6 WAY PLUG WITH REDUCED WIRE SEAL -C015 MOD DT SERIES</b>	EP	MATL. CODE
DR	<i>X. Sanchez</i> 17APR03		3850 INDUSTRIAL AVE. HEMET, CA 92545	
CHK	<i>A. M. Lopez</i> 9/12/12		<b>DEUTSCH</b> INDUSTRIAL	
PE	<i>R. M. Lopez</i> 9/17/12		<b>B DT06-6S-C015</b>	
APPD	<i>D. M. Lopez</i> 9/18/12		DWG SIZE	CODE SHEET   OF
SCALE	NONE WT	ENVELOPE		11139

单击下面可查看定价，库存，交付和生命周期等信息

[>>TE Connectivity\(泰科\)](#)