

THIS DRAWING IS UNPUBLISHED.

RELEASED FOR PUBLICATION

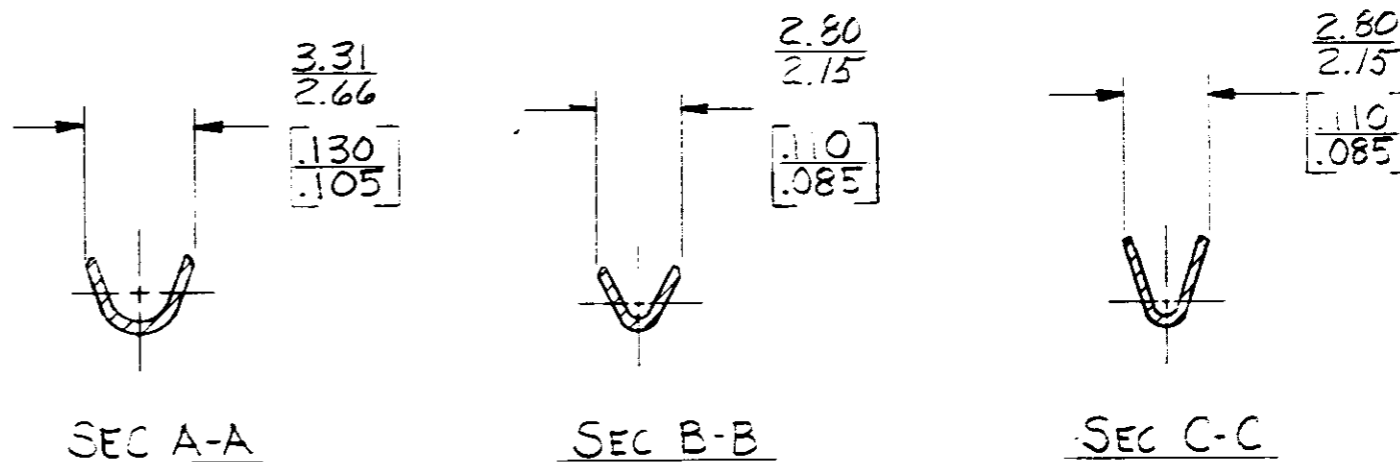
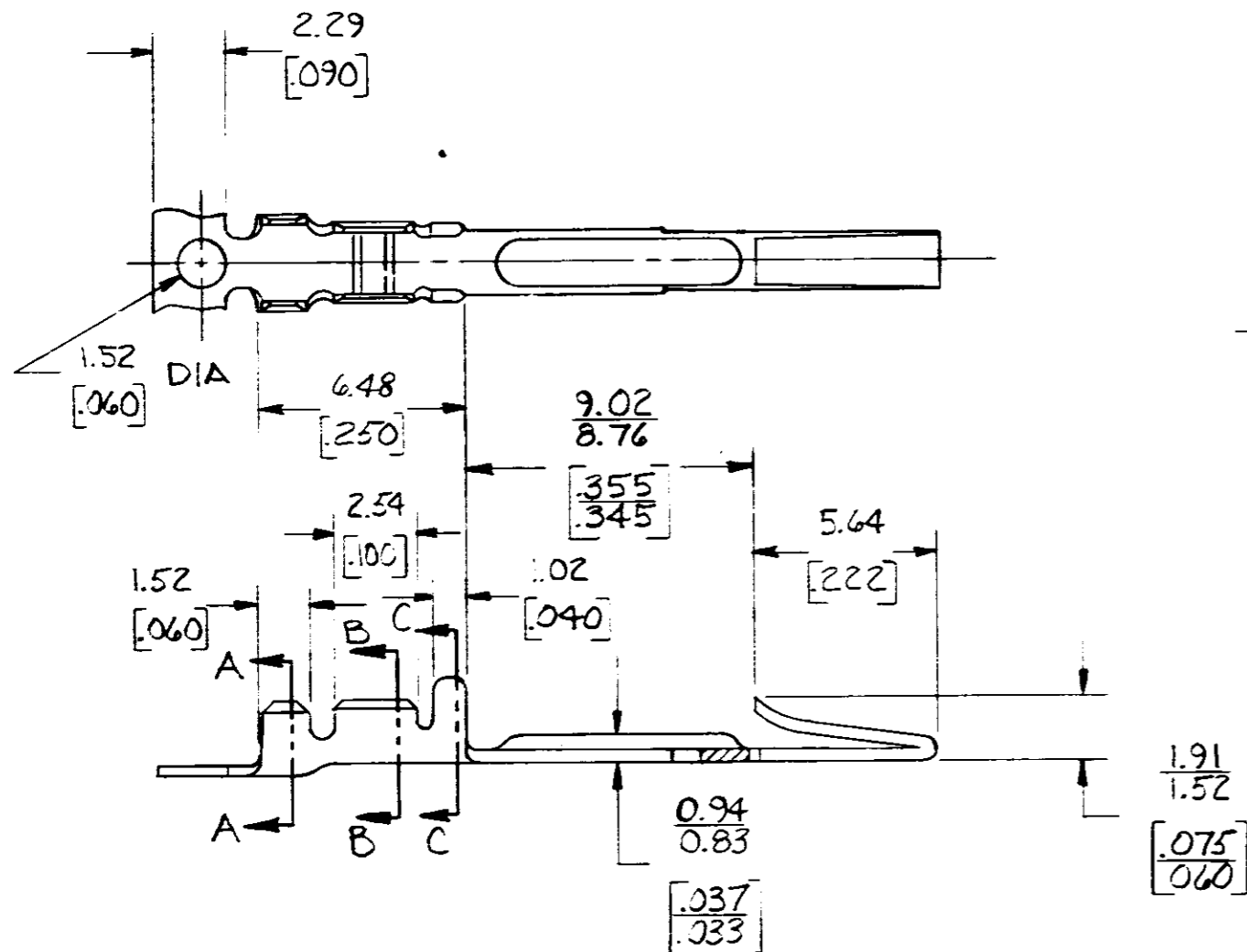
. 19

© COPYRIGHT 19 BY AMP INCORPORATED, HARRISBURG, PA. ALL INTERNATIONAL RIGHTS RESERVED. AMP PRODUCTS MAY BE COVERED BY U.S. AND FOREIGN PATENTS AND/OR PATENTS PENDING.

LOC AF DIST 50

REVISIONS

REV	ZONE	LTR	DESCRIPTION	DATE	APPROVED
1		A	REVISED & RELEASED PER 9-6080 P.A.R.	6/17/83	SS/AC



1. DIM'S IN BRACKETS ARE IN INCHES.
2. CONTINUOUS STRIP ON REELS.

METRIC

1.76-1.39 [069-.055]		0.2-0.6 mm ² [24-20]		63271-1
INSUL RANGE		WIRE RANGE		PART NO
UNLESS OTHERWISE SPECIFIED DIMENSIONS ARE IN INCHES. MM TOLERANCES ON DECIMALS ±0.38 [05] ANGLES ±		AMP AMP INCORPORATED Harrisburg, Pa.		
CONTRACT NO DR <i>S. Schaffhausen</i> 1-28-83 CHK <i>G. Y. Little</i> 1/31/83		NAME COIL TERMINAL		
MATERIAL 0.36 [014] BRASS		DRAWING NO 63271		
FINISH PRE-TIN		SIZE B	FSCM NO 00779	SHEET
OTHER APPD		SCALE		

单击下面可查看定价，库存，交付和生命周期等信息

[>>TE Connectivity\(泰科\)](#)