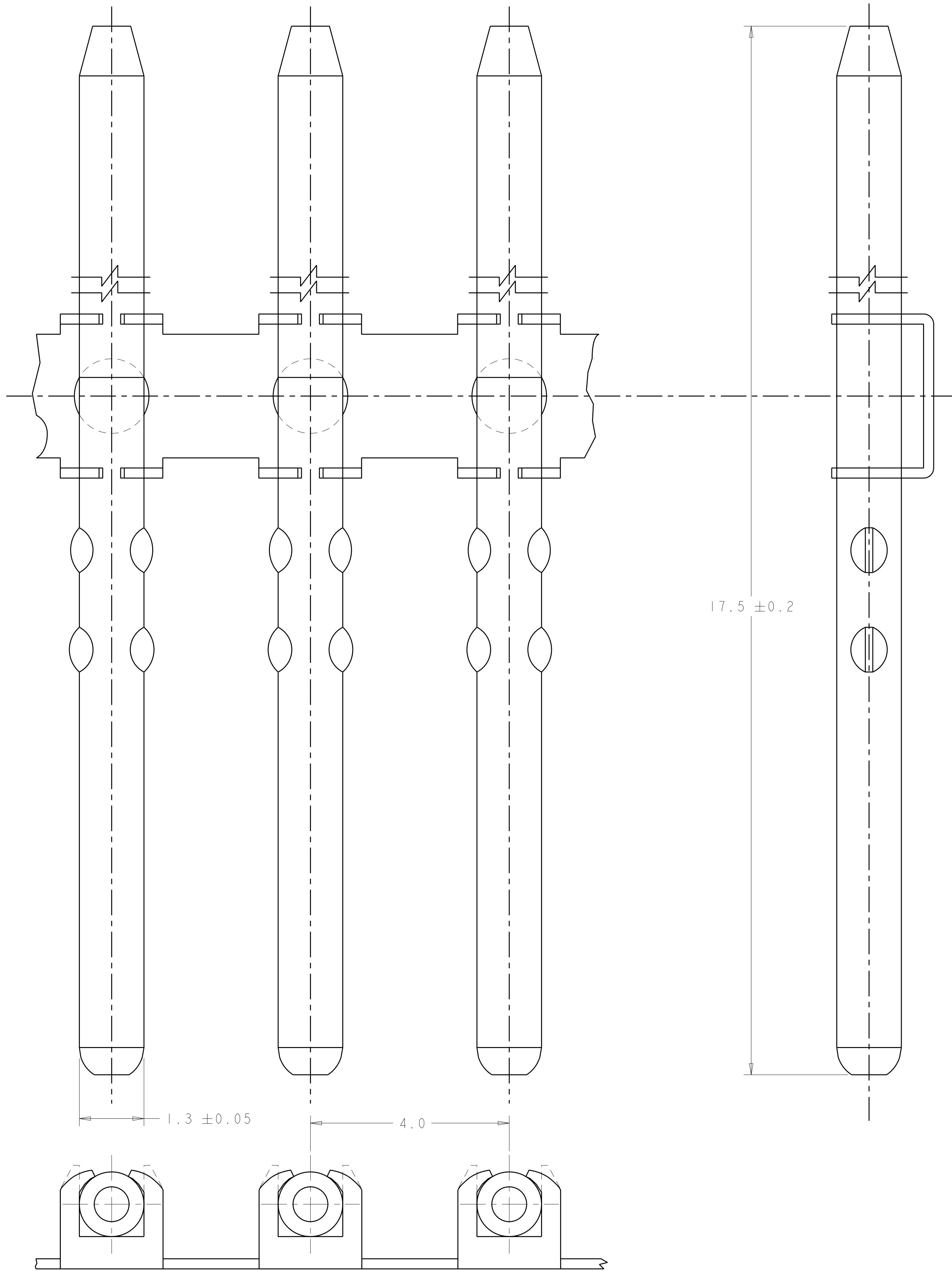
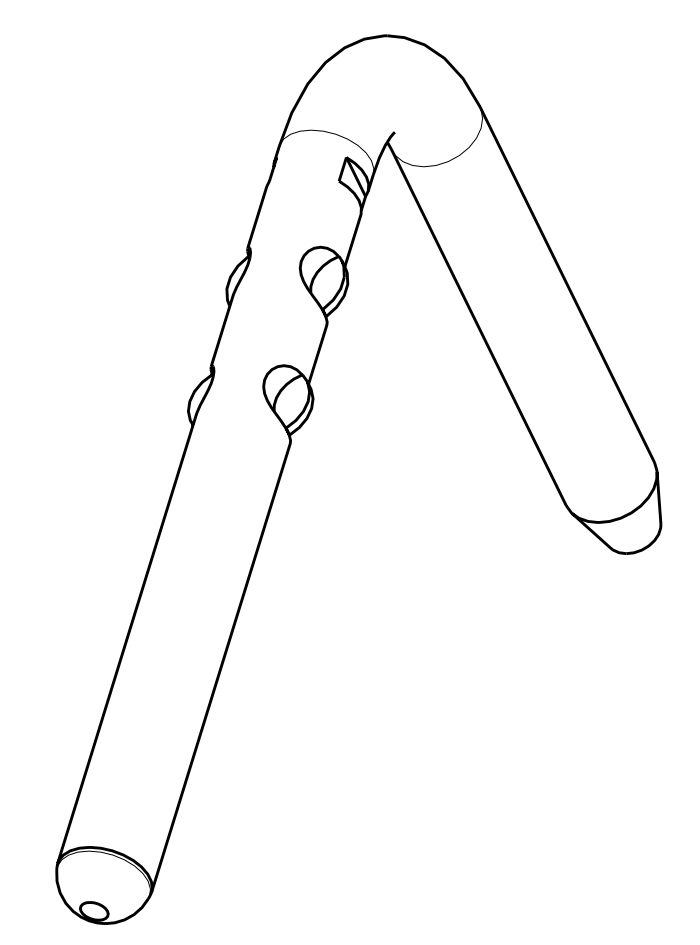


LOC	DIST	REVISIONS			
REV	DATE	DESCRIPTION	DATE	DWN	APVD
A	14MAR2003	EC OK40-0251-03		JRB	DHC
B	21FEB2009	REVISED PER ECO-09-005004		DLD	DHC



1. PART NUMBER 1-776265-0 REELED ON NON-RETURNABLE REEL.



SCALE 10:1

1-776265-0
PART NUMBER

<small>THIS DRAWING IS UNPUBLISHED. RELEASED FOR PUBLICATION BY TYCO ELECTRONICS CORPORATION. ALL RIGHTS RESERVED. THIS IS SUBJECT TO CHANGE WITHOUT NOTICE. FOR THE LATEST REVISION, CONTACT THE SUPPLIER.</small>		DWN: JR BUSSARD 06JUN2002 CHK: DH CROWE 06JUN2002 APVD: DH CROWE 06JUN2002	Tyco Electronics Harrisburg, PA 17105-3608
DIMENSIONS: mm 	TOLERANCES UNLESS OTHERWISE SPECIFIED: 0 PLC ± 1 PLC ± 2 PLC ± 3 PLC ± 4 PLC ± ANGLES ± FINISH ±	NAME: PIN, BANDOLIER, TIN, AMPSEAL PRODUCT SPEC: APPLICATION SPEC: WEIGHT: CUSTOMER DRAWING	SIZE: A 00779 C=776265 SCALE: 20:1 SHEET 1 OF 1 REV B

单击下面可查看定价，库存，交付和生命周期等信息

[>>TE Connectivity\(泰科\)](#)