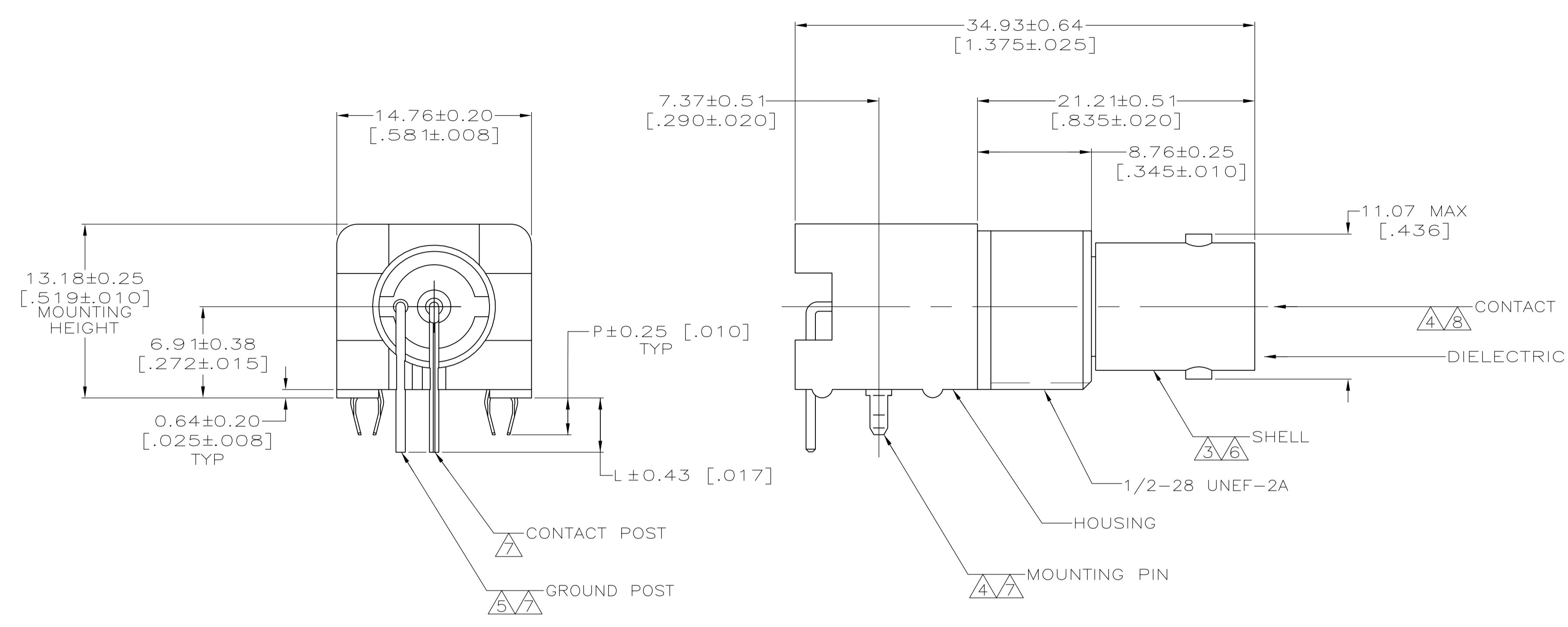
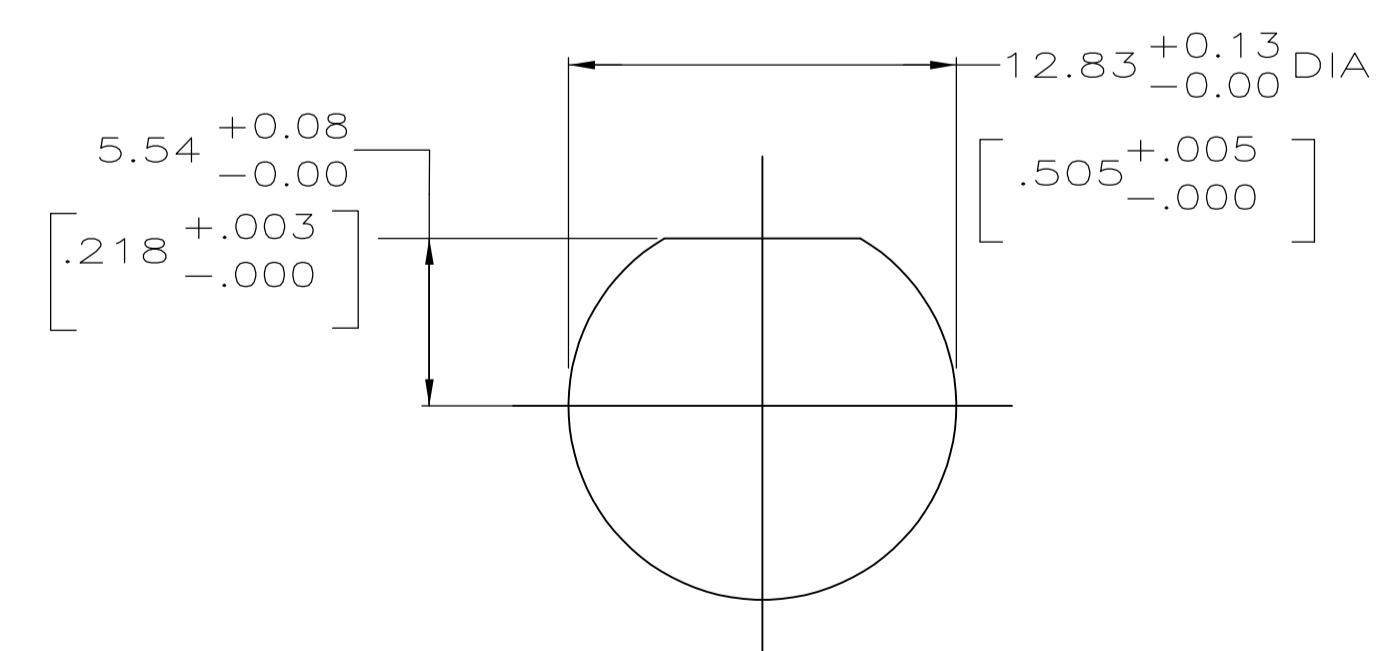


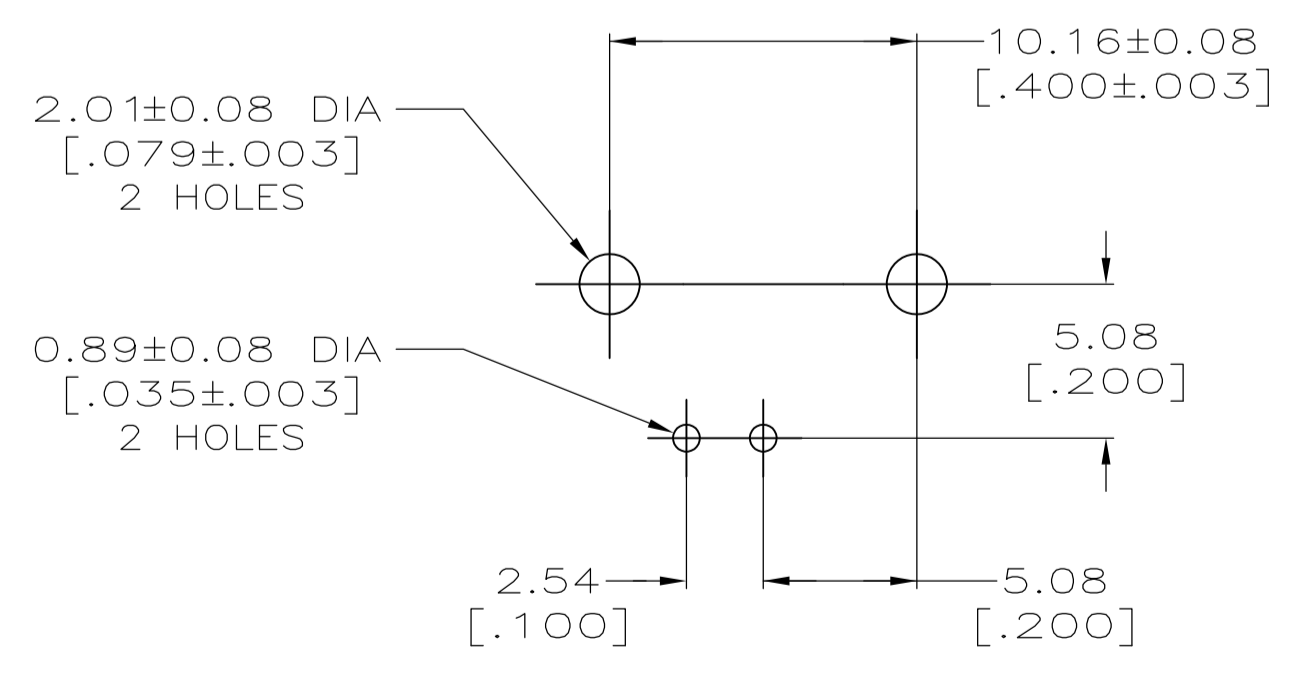
LOC		DIST		REVISIONS			
P	LTR	DESCRIPTION	DATE	DMN	APVD		
C		REV PER ECO-09-005412	10/9/2009	AEG	WKE		
C1		REVISED PER ECO-10-00444	19JAN10	KK	HMR		



- 1 POLYESTER PBT PER MIL-M-24519, TYPE GPT-15F, UL94V-0 RATED, COLOR:BLACK
- 2 POLYMETHYLPENTENE, GENERAL PURPOSE
- 3 ZINC PER QQ-Z-363
- 4 PHOSPHOR BRONZE PER QQ-B-750
- 5 BRASS PER ASTM-B-453
- 6 NICKEL PLATE PER QQ-N-290, 3.81 μm [.000150] MINIMUM THICK
- 7 TIN PLATE PER ASTM-B-545, 3.81 μm [.000150] MINIMUM THICK
- 8 GOLD PLATE PER ASTM-B-488, 0.76 μm [.000030] MINIMUM THICK
- 9. USE INSTRUCTION SHEET 408-2769.
- 10 POLYESTER, PCT, GENERAL PURPOSE, 30% GLASS FILLED, UL94V-0 RATED, COLOR: GRAY
- 11 PTFE PER ASTM-D-1710
- 12 OBSOLETE PARTS: OBSOLETE CIS STREAMLINING PER D.RENAUD/D.SINISI



RECOMMENDED PANEL CUTOUT



PCB CONFIGURATION

2.79 [.110]	4.11 [.162]	11	10	5415218-6
2.79 [.110]	4.11 [.162]	11	10	5415218-5
2.79 [.110]	2.87 [.113]	11	11	5415218-3
P	L	DIELECTRIC MATERIAL	HOUSING MATERIAL	PART NUMBER

THIS DRAWING IS A CONTROLLED DOCUMENT. **Tyco Electronics** Tyco Electronics Corporation Harrisburg, PA 17105-3608

DIMENSIONS: mm [INCHES] TOLERANCES UNLESS OTHERWISE SPECIFIED:

0 PL	± -
1 PL	± -
2 PL	± -
3 PL	± 0.05 [.002]
4 PL	± -
ANGLES	± -

MATERIAL: SEE NOTES 1 - 6 FINISH: SEE NOTES 7 - 8 WEIGHT: -

APVD: G. ATTADIA - 22APR2005, J. HAVENER - 22APR2005, J. LIPPERT - 22APR2005

NAME: JACK, RIGHT ANGLE, 50 OHM, PCB, BNC

PRODUCT SPEC: 108-12078

APPLICATION SPEC: -

SIZE: A1 00779 C=5415218

CUSTOMER DRAWING SCALE: 4:1 SHEET: 1 OF 1 REV: C1

单击下面可查看定价，库存，交付和生命周期等信息

[>>TE Connectivity\(泰科\)](#)